

# ShadowBox Clarion

Permanently tensioned projection screen with truly flat viewing surface for sharper image quality

**SUBMITTAL**  
TECHNICAL INFO

**Please check all appropriate selections and attach room schedule with verified dimensions.**

## Specifications

**QUANTITY:** \_\_\_\_\_ **SIZE:** \_\_\_\_\_ h. x \_\_\_\_\_ w. (overall size)  
designed for permanent wall mounting. Extruded aluminum base frame, equipped with snaps set on 6" (152mm) centers and finished in black. Viewing surface attaches to rear side of frame, for shadow box appearance. Seamless viewing surface.

Matt White XT1000V and Grey XH600V viewing surfaces are certified to GREENGUARD standards for low chemical emissions into indoor air during product usage. For more information, visit [ul.com/gg](http://ul.com/gg).

Viewing surfaces have reinforced black webbing on all four sides with snaps to fit base frame. Webbing completely concealed behind frame. Frame equipped with mounting flange that mates with wall brackets.

Downloadable 3-part specifications: available at [www.draperinc.com](http://www.draperinc.com)

**Please note:** Dimensions of rollers, operators and hardware at manufacturer's discretion.



## Select Viewing Surface:

- TECVISION** Premium Optical Surface

### Choose TecVision® surface:

- XH700X Grey (0.7 gain) Certified
- XH800X ALR (0.8 gain) Certified
- XH900X ALR (0.9 gain) Certified
- XH1200X Grey (1.2 gain) Certified
- MS1000X ALR (1.0 gain) Certified
- CS1100X ALR (1.1 gain) Certified
- XT1000X White (1.0 gain) Certified
- XT1100X White (1.1 gain) Certified
- XT1300X White (1.3 gain) Certified
- XT1600X White (1.6 gain) Certified
- Other

- I want the above **TECVISION** surface perforated.

### Choose standard viewing surface:

- Matt White XT1000VB\* (1.0 gain): GREENGUARD Gold certified
- Grey XH600V (0.6 gain) (Thru 9' x 12'): GREENGUARD Gold certified
- Clearsound Nanoperf XT1000V (1.0 gain)
- Other

Shadowbox Clarion can be Curved.

For more information, see the [Draper Curved Screen Planning Sheet](#).



Draper, Inc. | 411 S. Pearl St. Spiceland, IN 47385  
draperinc.com | 765.987.7999 | 800.238.7999

© 2025 All Rights Reserved | FORM: Clarion\_ShadowBox\_Sub25

## Dimensions and Data

### 16:10 Format

Nominal Diagonal	Image Area (H x W)	Overall Size	Net Wt. (lbs.)	Qty.
94"	50" x 80"	53" x 83"	35	
109"	57½" x 92"	60½" x 95"	35	
113"	60" x 96"	63" x 99"	34	
123"	65" x 104"	68" x 107"	40	
137"	72½" x 116"	75½" x 119"	43	
165"	87½" x 140"	90½" x 143"	55	

### HDTV Format (16:9)

Nominal Diagonal	Image Area (H x W)	Overall Size	Net Wt. (lbs.)	Qty.
92"	45" x 80"	48" x 83"	35	
100"	49" x 87"	52" x 90"	36	
106"	52" x 92"	55" x 95"	36	
110"	54" x 96"	57" x 99"	34	
119"	58" x 104"	61" x 107"	40	
133"	65" x 116"	68" x 119"	46	
161"	79" x 140"	82" x 143"	55	
193"	95" x 169"	98" x 172"	65	
220"	108" x 192"	111" x 195"	80	

### NTSC Video Format (4:3)

Nominal Diagonal	Image Area (H x W)	Overall Size	Net Wt. (lbs.)	Qty.
6'	43" x 57"	46" x 60"	29	
6½'	47" x 63"	50" x 66"	31	
7'	50" x 67"	53" x 70"	33	
90"	54" x 72"	57" x 75"	34	
100"	60" x 80"	63" x 83"	34	
10'	72" x 96"	75" x 99"	42	
150"	90" x 120"	93" x 123"	54	
15'	108" x 144"	111" x 147"	65	

### Custom Size

--	--	--	--	--

PROJECT: \_\_\_\_\_

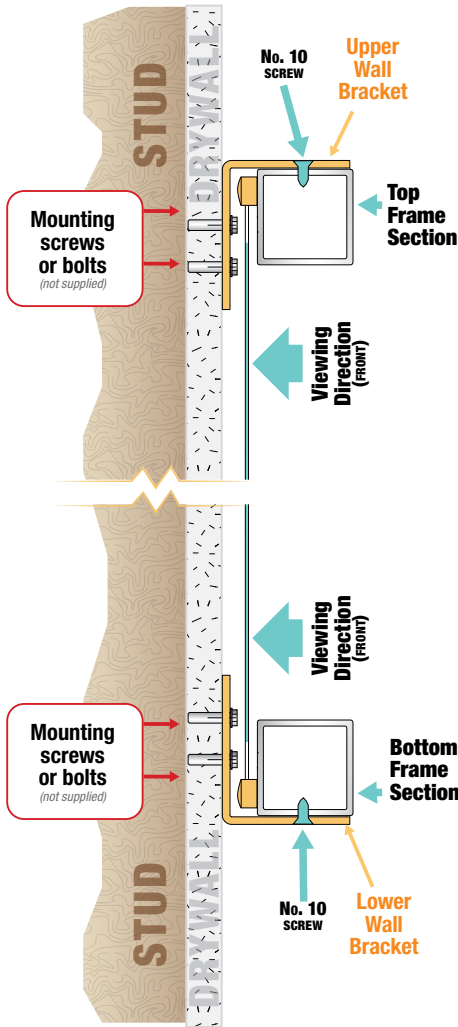
ARCHITECT: \_\_\_\_\_

CONTRACTOR: \_\_\_\_\_

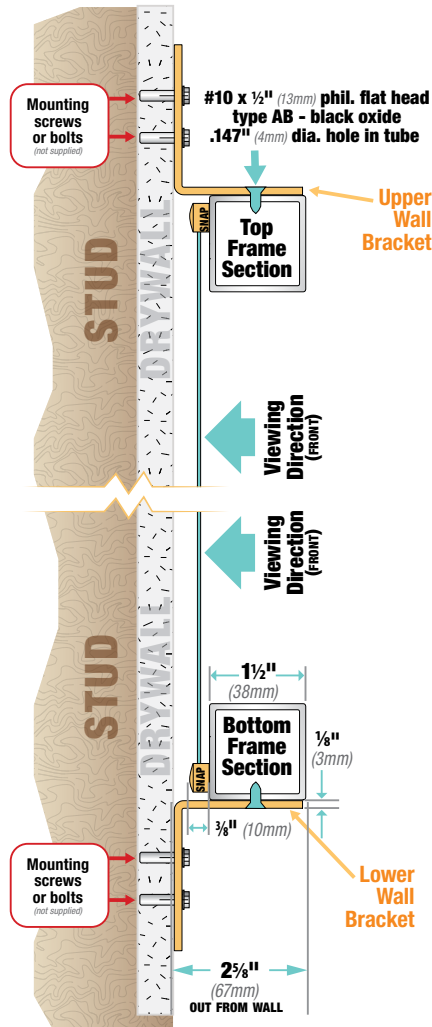
SUPPLIER: \_\_\_\_\_

DATE: \_\_\_\_\_ REVISED: \_\_\_\_\_

## Dimensions

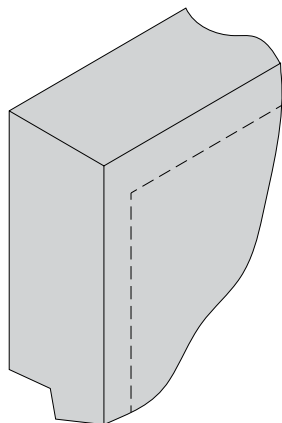
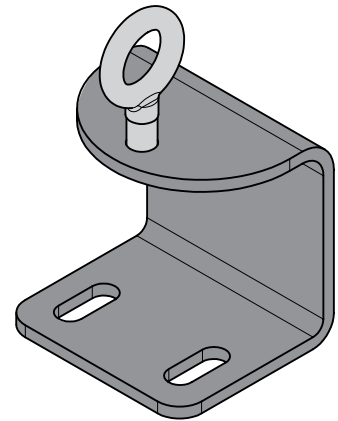
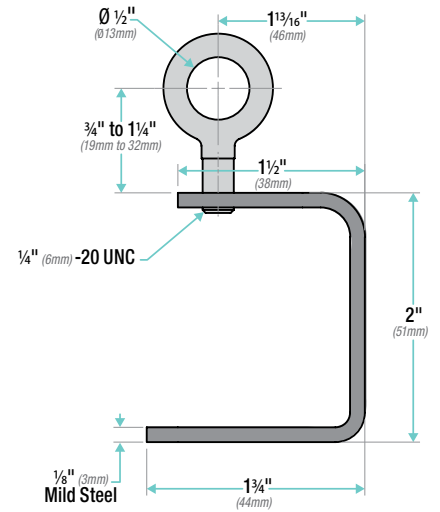


**ShadowBox Clarion  
Cross Section and Typical Wall Mount**



**ShadowBox Clarion  
Dimensions and rear projection wall mount**

## Optional Fly Brackets



**Corner Detail**

PROJECT: \_\_\_\_\_

ARCHITECT: \_\_\_\_\_

CONTRACTOR: \_\_\_\_\_

SUPPLIER: \_\_\_\_\_

DATE: \_\_\_\_\_ REVISED: \_\_\_\_\_