

Acumen™ Recharge V

Battery Operated, Wall or Ceiling Mounted, tab-tensioned screen

Please check all appropriate selections and attach room schedule with verified dimensions.

Specifications

QUANTITY: _____ **SIZE:** _____ h. x _____ w.

Projection screens, battery operated motor mounted inside screen roller, instantly reversible, lifetime lubricated, with internal thermal overload protector and electric brake, with factory set limits. Lithium-Ion battery powered motor with built-in radio receiver. Includes Ion Lithium batteries. No external wiring required. Tubular motor and batteries concealed inside each screen roller tube. **Motor shall be left mounted.**

CHARGING: Rechargeable by 5V power adapter (Standard), 5 volt, 2 amp white USB wall charger; 12 foot (3.6576 m) recharge cable, no plug (standard).

CASE: Contoured case of 0.156" (3.9624 mm) thick, 9-gauge extruded aluminum. Removable front fascia conceals viewing surface that retracts completely inside the case. Case dimensions are 7-1/8 inches h x 5-7/8 inches d (181 mm x 149 mm).

MOUNTING: Wall Mount Brackets (standard) or Ceiling Mount Brackets: "Floating" steel brackets, finished to match screen case.

CONTROLS: Single channel wireless handheld radio frequency transmitter (standard), Single channel wireless wall switch for radio motor control (optional), Single channel dry contact interface (optional), Recharge Arc Wi-Fi to 433 2 way RF bridge kit (optional).

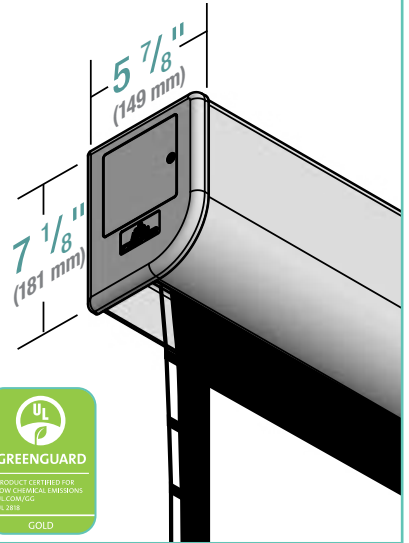
ROLLER/FABRIC ASSEMBLY: 3" (76mm) dia. metal roller, mounted on rubber insulated supports. Viewing surface mildew resistant, with black masking borders. Each side of surface includes tab guide cable system to maintain even lateral tension and hold surface flat. Tabs are integrated into the cut of the screen material then electronically welded. Bottom of surface supported and masked by black, extruded aluminum dowel weighted to apply proper vertical tension. Top of surface masked by 12" (30cm) black drop. Matt White XT1000V and Grey XH600V viewing surfaces are certified to GREENGUARD standards for low chemical emissions into indoor air during product usage.

DOWNLOADABLE 3-PART SPECIFICATIONS: available at www.draperinc.com

Please note: Dimensions of rollers, operators, and hardware at manufacturer's discretion.

SUBMITTAL

TECHNICAL INFO



Select Viewing Surface:

OptiFlex (Flexible)

- Black Backed Matt White XT1000VB (1.0 gain) (GREENGUARD Gold Certified)
- Grey XH600V (0.6 gain) (GREENGUARD Gold Certified)
- Pure White XT1300V (1.3 gain)

CineFlex (Rear/Dual Projection)

- CineFlex CH1200 (1.2 gain)
- CineFlex White XT700V (0.7 gain)
- Other: _____

ClearSound (Acoustically Transparent)

- ClearSound NanoPerf XT1000V (1.0 gain)
- Other: _____

TECVISION™ Premium Optical Surface

- XH700X Grey (0.7 gain) Certified
- XH800X UST ALR (0.8 gain) Certified
- XH900X ALR (0.9 gain) Certified
- MS1000X ALR (1.0 gain) Certified
- CS1000X ALR (1.0 gain) Certified
- XT1000X White (1.0 gain) Certified
- XT1100X White (1.1 gain) Certified
- CS1200X ALR (1.2 gain) Certified
- XT1300X White (1.3 gain) Certified
- XT1600X White (1.6 gain) Certified
- XT1800X White (1.8 gain) Certified

TECVISION™ Premium Optical Surface with NanoPerf

- XH700X Grey NanoPerf (0.7 gain) Certified
- XH900X ALR NanoPerf (0.9 gain) Certified
- MS1000X ALR NanoPerf (1.0 gain) Certified
- XT1000X White NanoPerf (1.0 gain) Certified
- XT1100X White NanoPerf (1.1 gain) Certified
- XT1300X White NanoPerf (1.3 gain) Certified
- XT1600X White NanoPerf (1.6 gain) Certified
- XT1800X White NanoPerf (1.8 gain) Certified

Dimensions and Data

16:10 Format

Diagonal	Image Area	Case Length	Net Weight (lbs)	Quantity
94"	50" x 80"	105 1/4"	85	
109"	57 1/2" x 92"	118 1/4"	94	
113"	60" x 96"	122 1/4"	97	
123"	65" x 104"	130 1/4"	103	
137"	72 1/2" x 116"	143 1/4"	113	

16:9 HDTV Format

Diagonal	Image Area	Case Length	Net Weight	Quantity
92"	45" x 80"	105 1/4"	85	
100"	49" x 87"	112 1/4"	90	
106"	52" x 92"	117 1/4"	93	
110"	54" x 96"	122 1/4"	97	
119"	58" x 104"	130 1/4"	103	
133"	65" x 116"	142 1/4"	112	

2.39:1 CinemaScope Format

Diagonal	Image Area	Case Length	Net Weight	Quantity
117"	45" x 107 1/2"	132 3/4"	104	

1.9:1 2K / 4K Full Format

Diagonal	Image Area	Case Length	Net Weight	Quantity
96"	45" x 85 1/2"	110 3/4"	88	
118"	55" x 104 1/2"	130 3/4"	103	

Custom Size

--	--	--	--	--



Draper, Inc. | 411 S. Pearl St. Spiceland, IN 47385
draperinc.com | 765.987.7999 | 800.238.7999

© 2020 All Rights Reserved | FORM: AcumenRC_V_Sub20

PROJECT: _____

ARCHITECT: _____

CONTRACTOR: _____

SUPPLIER: _____

DATE: _____ REVISED: _____

Select Mounting Method

- Wall (standard)
- Ceiling (optional)

Select Case Color

- White (standard)
- Black (optional)

Optional Accessories

- Extra Drop
- Black (standard)
- Same color as viewing surface
- Length of Total Drop: _____

Please Note: Extra drop increases case and dowel length.
Specify at time of order and contact Draper if dimension is critical.

Select Controls

Standard Recharge Motor Control Options:

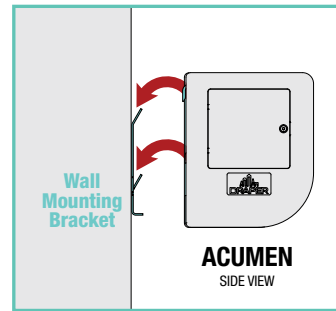
- RF Single Channel Remote - C156.263 (standard)
- RF Single Channel Wall Switch - C112.157 (optional)
- Single Channel Dry Contact Interface (optional)
- Pulse Hub 2 - C156.308 (optional)

Total number of Wall switches: _____
(switches operate independently)

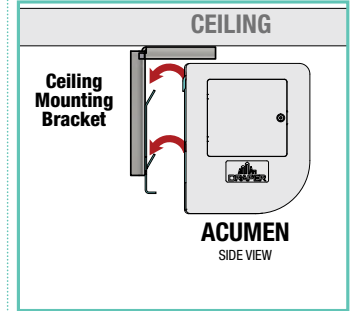
Methods of Installation

CAUTION: Product is very heavy: Installer must provide adequate attachment hardware and anchors as required. Installer must also ensure that wall or ceiling structure is of adequate strength.

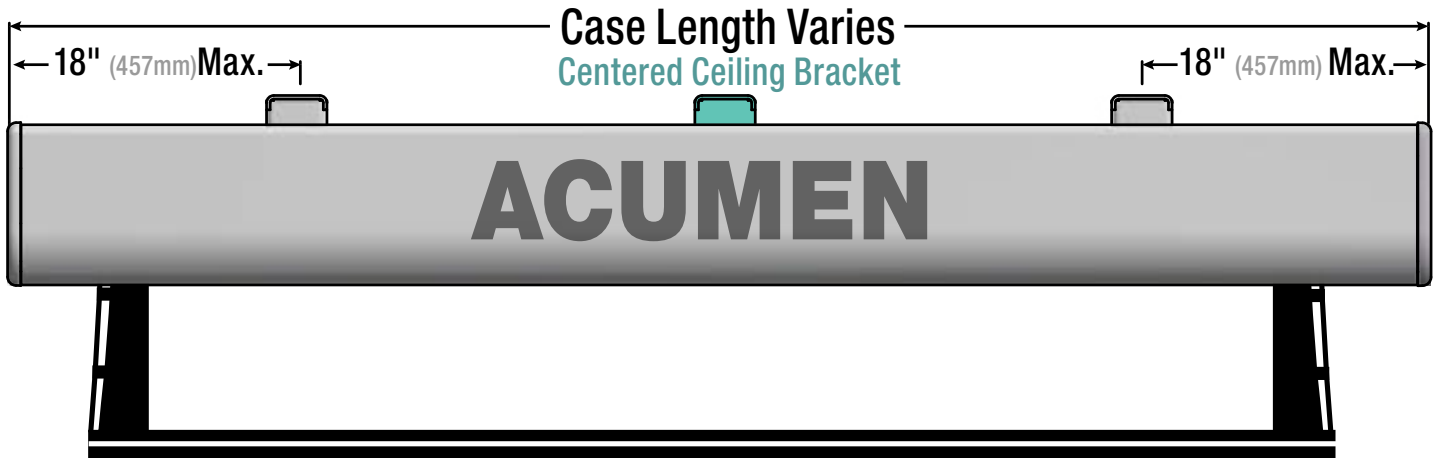
WALL MOUNTED



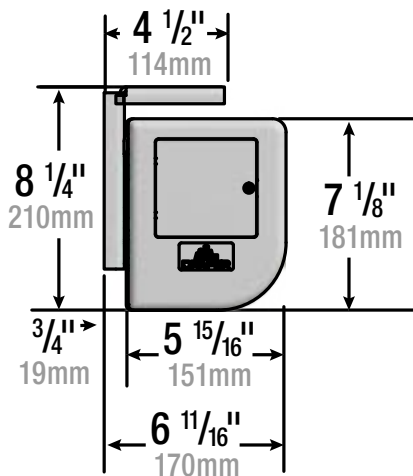
CEILING MOUNTED



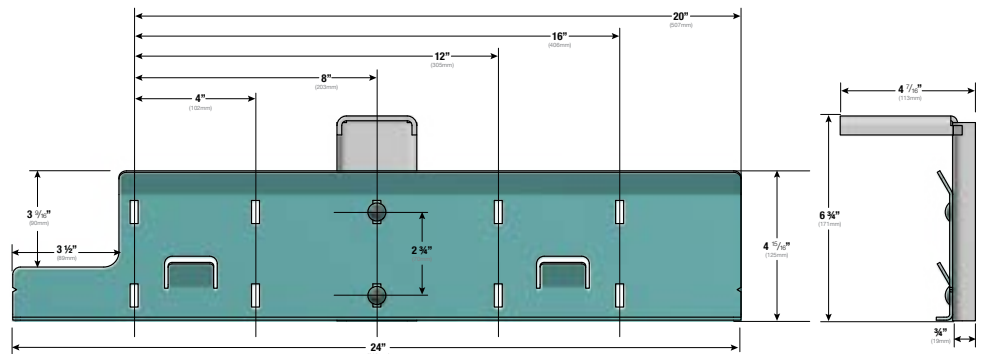
Case Dimensions



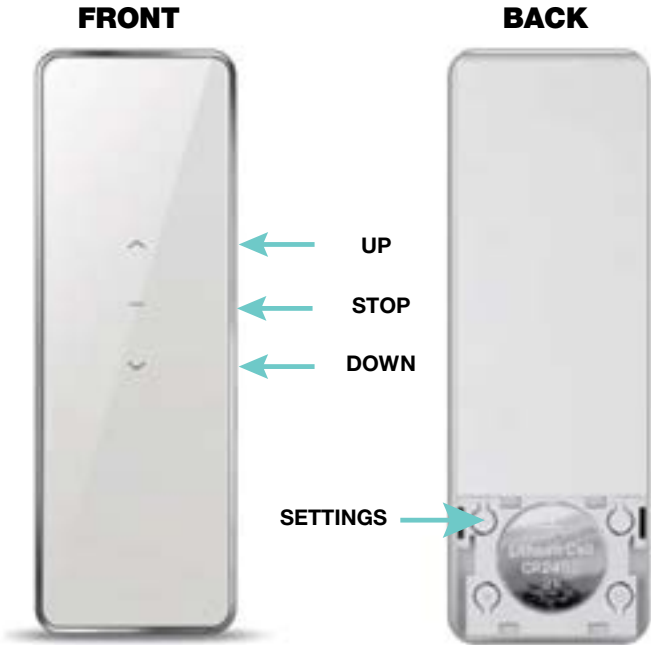
End of Case Dimensions



Wall & Ceiling Bracket Dimensions



RF Single Channel Remote - C156.263 (standard)



RF Single Channel Wall Switch - C112.157 (optional)



PROJECT: _____

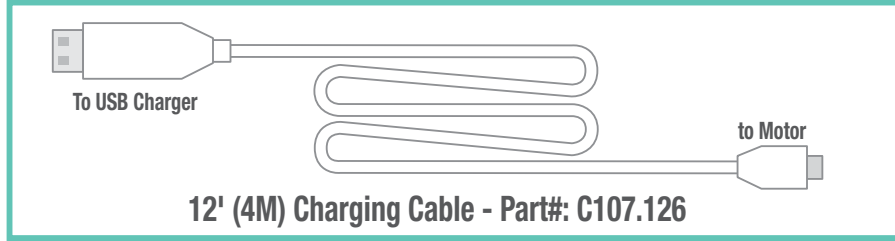
ARCHITECT: _____

CONTRACTOR: _____

SUPPLIER: _____

DATE: _____ **REVISED:** _____

Charging Accessories



3rd Party Control System Components

