

# Acumen™ Recharge E

Battery Operated, Wall or Ceiling Mounted, projection screen

Please check all appropriate selections and attach room schedule with verified dimensions.

## Specifications

**QUANTITY:** \_\_\_\_\_ **SIZE:** \_\_\_\_\_ h. x \_\_\_\_\_ w.

Projection screens, battery operated motor mounted inside screen roller, instantly reversible, lifetime lubricated, with internal thermal overload protector and electric brake, with factory set limits. Lithium-Ion battery powered motor with built-in radio receiver. Includes Ion Lithium batteries. No external wiring required. Tubular motor and batteries concealed inside each screen roller tube. **Motor shall be left mounted.**

**CHARGING:** Rechargeable by 5V power adapter (Standard), 5 volt, 2 amp white USB wall charger; 12 foot (3.6576 m) recharge cable, no plug (standard).

**CASE:** Contoured case of 0.156" (3.9624 mm) thick, 9-gauge extruded aluminum. Removable front fascia conceals viewing surface that retracts completely inside the case. Case dimensions are 7-1/8 inches h x 5-7/8 inches d (181 mm x 149 mm).

**MOUNTING:** Wall Mount Brackets (standard) or Ceiling Mount Brackets: "Floating" steel brackets, finished to match screen case.

**CONTROLS:** Single channel wireless handheld radio frequency transmitter (standard), Single channel wireless wall switch for radio motor control (optional), Single channel dry contact interface (optional), Recharge Arc Wi-Fi to 433 2 way RF bridge kit (optional).

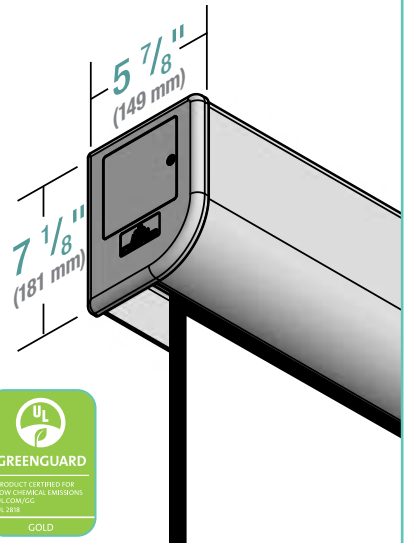
**ROLLER/FABRIC ASSEMBLY:** 3" (76mm) dia. metal roller, mounted on rubber insulated supports. Brackets supporting roller/fabric assembly to slide in track inside top of case, allowing viewing surface to be centered in case regardless of screen size. Top of 16:10 and 16:9 format viewing surfaces through 110" (2.8 m) diagonal masked by 12" (30 cm) black drop. Viewing surface flame and mildew resistant. Matt White XT1000E and Contrast Grey XH600E viewing surfaces are certified to GREENGUARD standards for low chemical emissions into indoor air during product usage. For more information, visit [ul.com/gg](http://ul.com/gg).

**DOWNLOADABLE 3-PART SPECIFICATIONS:** available at [www.draperinc.com](http://www.draperinc.com)

Please note: Dimensions of rollers, operators, and hardware at manufacturer's discretion.

## SUBMITTAL

### TECHNICAL INFO



## Select Viewing Surface:

### OptiFlex (Self-Supporting Screen Surface)

- Matt White XT1000E
- Contrast Grey XH800E
- Contrast White XH1100E
- Argent White XH1500E
- Pearl White CH1900E
- ClearSound White Weave XT900E
- ClearSound Grey Weave XH600E

## Dimensions and Data

### 16:10 Format

Nominal Diagonal	Image Area	Overall Size	Case Length	Net Wt. (lbs.)	Qty.
94"	50" x 80"	62" x 83 1/2"	99 3/4"	71	
109"	57 1/2" x 92"	69 1/2" x 96"	110 3/4"	78	
113"	60" x 96"	72" x 100"	114 3/4"	81	
123"	65" x 104"	69" x 108"	122 3/4"	85	
137"	72 1/2" x 116"	76 1/2" x 120"	134 3/4"	94	

### 16:9 HDTV Format

Nominal Diagonal	Image Area	Overall Size	Case Length	Net Wt. (lbs.)	Qty.
92"	45" x 80"	57" x 83 1/2"	98 3/4"	71	
100"	49" x 87"	61" x 91"	105 3/4"	75	
106"	52" x 92"	64" x 96"	110 3/4"	78	
110"	54" x 96"	66" x 100"	114 3/4"	80	
119"	58" x 104"	62" x 108"	122 3/4"	85	
133"	65" x 116"	69" x 120"	134 3/4"	93	

### 2.39:1 CinemaScope Format

Nominal Diagonal	Image Area	Overall Size	Case Length	Net Wt. (lbs.)	Qty.
117"	45" x 107 1/2"	57" x 111 1/2"	127 1/4"	88	

### 1.9:1 2K / 4K Full Format

Nominal Diagonal	Image Area	Overall Size	Case Length	Net Wt. (lbs.)	Qty.
96"	45" x 89 1/2"	57" x 89 1/2"	104 1/4"	74	
118"	55" x 104 1/2"	67" x 108 1/2"	123 1/4"	87	

### Custom Size

--	--	--	--	--	--



Draper, Inc. | 411 S. Pearl St. Spiceland, IN 47385  
draperinc.com | 765.987.7999 | 800.238.7999

© 2020 All Rights Reserved | FORM: AcumenRC\_E\_Sub20

PROJECT: \_\_\_\_\_

ARCHITECT: \_\_\_\_\_

CONTRACTOR: \_\_\_\_\_

SUPPLIER: \_\_\_\_\_

DATE: \_\_\_\_\_ REVISED: \_\_\_\_\_

## Select Mounting Method

- Wall (standard)
- Ceiling (optional)

## Select Case Color

- White (standard)
- Black (optional)

## Optional Accessories

- Extra Drop
- Black (standard)
- Same color as viewing surface
- Length of Total Drop: \_\_\_\_\_

## Select Controls

### Standard Recharge Motor Control Options:

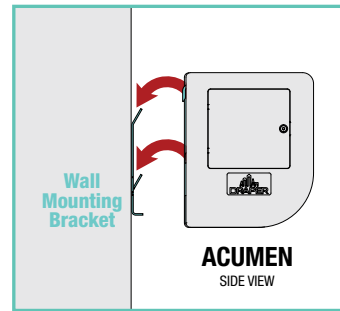
- RF Single Channel Remote - C156.263 (standard)
- RF Single Channel Wall Switch - C112.157 (optional)
- Single Channel Dry Contact Interface (optional)
- Pulse Hub 2 - C156.308 (optional)

Total number of Wall switches: \_\_\_\_\_  
 (switches operate independently)

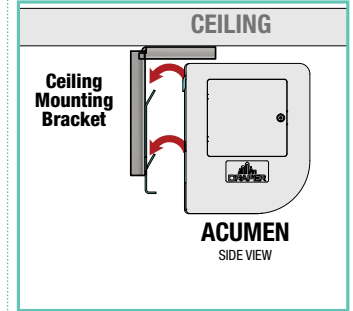
## Methods of Installation

**CAUTION:** Product is very heavy: Installer must provide adequate attachment hardware and anchors as required. Installer must also ensure that wall or ceiling structure is of adequate strength.

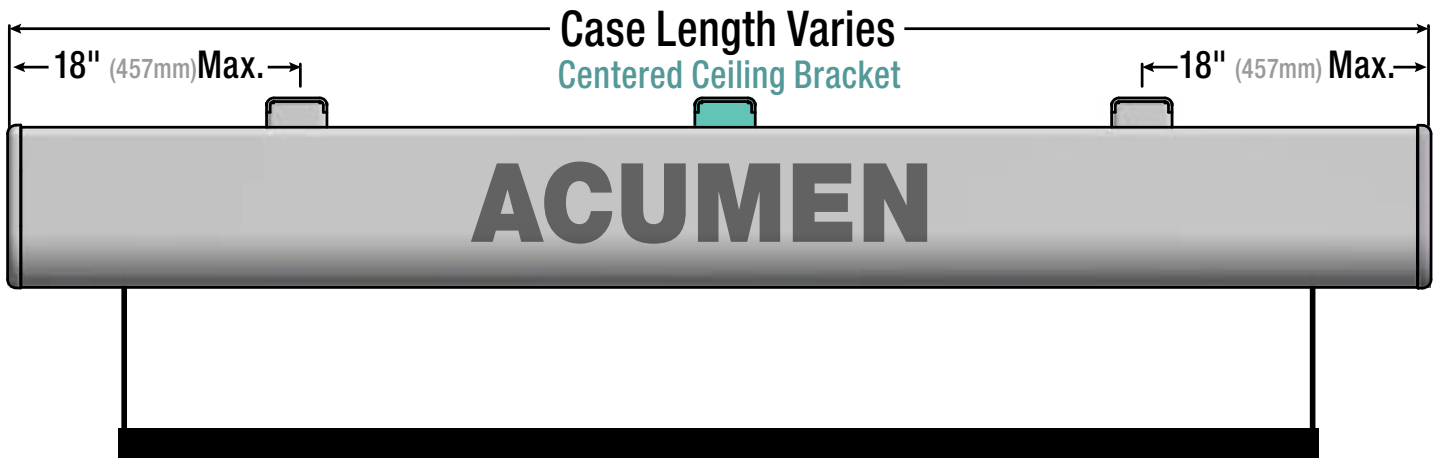
WALL MOUNTED



CEILING MOUNTED

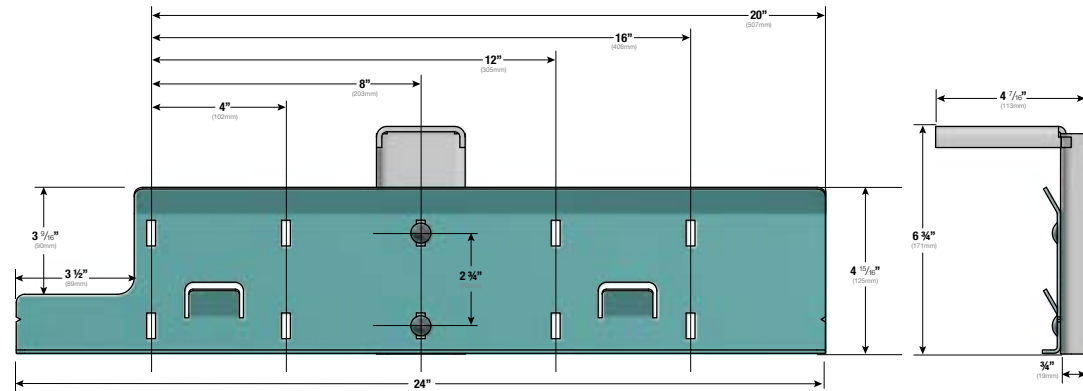
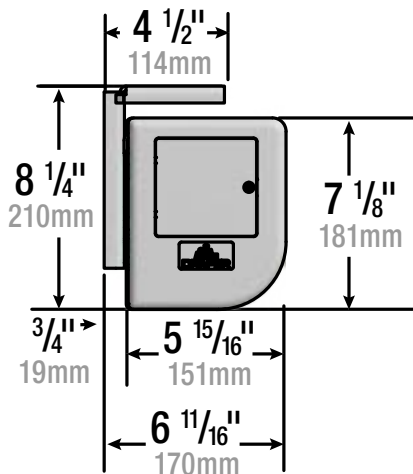


## Case Dimensions

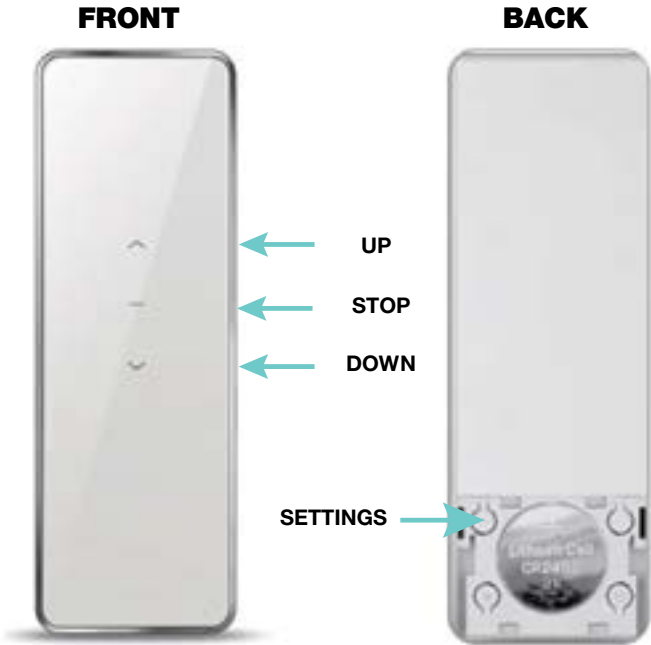


End of Case Dimensions

Wall & Ceiling Bracket Dimensions



RF Single Channel Remote - C156.263 (standard)



RF Single Channel Wall Switch - C112.157 (optional)



PROJECT: \_\_\_\_\_

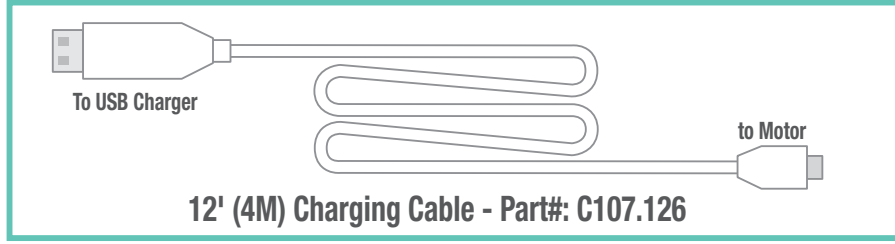
ARCHITECT: \_\_\_\_\_

CONTRACTOR: \_\_\_\_\_

SUPPLIER: \_\_\_\_\_

DATE: \_\_\_\_\_ REVISED: \_\_\_\_\_

## Charging Accessories



## 3rd Party Control System Components

