

Acumen® E

Wall-Mounted screen

Please check all appropriate selections and attach room schedule with verified dimensions.
Specifications

QUANTITY: _____ SIZE: _____ h. x _____ w.

Projection screens, electrically operated 110-120V AC, 60 Hz. 4-wire motor mounted inside screen roller, 1.1 amp draw, instantly reversible, lifetime lubricated, with internal thermal overload protector and electric brake, with factory set limits. 3" (76mm) dia. metal roller, mounted on rubber insulated supports.

ROLLER/FABRIC ASSEMBLY: Brackets supporting roller/fabric assembly to slide in track inside top of case, allowing viewing surface to be centered in case regardless of screen size. Roller of 3" (76 mm) dia. steel. Top of 16:10 and 16:9 format viewing surfaces through 110" (2.8 m) diagonal masked by 12" (30 cm) black drop. Viewing surface flame and mildew resistant. Matt White XT1000E and Contrast Grey XH600E viewing surfaces are certified to GREENGUARD standards for low chemical emissions into indoor air during product usage. For more information, visit ul.com/gg.

Contoured case of 0.156" (3.9624 mm) thick, 9-gauge extruded aluminum. Removable front fascia conceals viewing surface that retracts completely inside the case. Case dimensions are 7-1/8 inches h x 5-7/8 inches d (181 mm x 149 mm).

Wall Mount Brackets (standard) or Ceiling Mount Brackets: "Floating" steel brackets, finished to match screen case.

3-position control switch to stop or reverse screen at any point. Switch complete with cover plate.

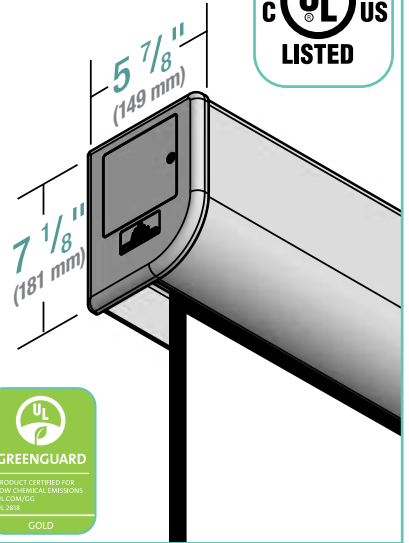
Entire unit certified by Underwriters' Laboratories, Inc. for the U.S. and Canada.

Plenum rated case (UL approved "Suitable for Use in Environmental Air Space"). For more information, visit ul.com/gg.

DOWNLOADABLE 3-PART SPECIFICATIONS: available at www.draperinc.com

Please note: Dimensions of rollers, operators, and hardware at manufacturer's discretion.

SUBMITTAL TECHNICAL INFO



Select Viewing Surface:

OptiFlex (Self-Supporting Screen Surface)

- Matt White XT1000E
- Contrast Grey XH800E
- Contrast White XH1100E
- Argent White XH1500E
- Pearl White CH1900E
- ClearSound White Weave XT900E
- ClearSound Grey Weave XH600E

Select Optional Accessories:

- Additional Drop _____ (Beyond standard 12")
- Total Drop _____ (Standard 12" + Additional drop)
 - Black (standard)
 - Same color as viewing surface
(Total screen height cannot exceed 12')

Dimensions and Data

16:10 Format

Nominal Diagonal	Image Area	Overall Size	Case Length	Net Wt. (lbs.)	Qty.
94"	50" x 80"	62" x 83 1/2"	98 1/4"	71	
109"	57 1/2" x 92"	69 1/2" x 96"	110 3/4"	78	
113"	60" x 96"	72" x 100"	114 3/4"	81	
123"	65" x 104"	69" x 108"	122 3/4"	85	
137"	72 1/2" x 116"	76 1/2" x 120"	134 3/4"	94	

16:9 HDTV Format

Nominal Diagonal	Image Area	Overall Size	Case Length	Net Wt. (lbs.)	Qty.
92"	45" x 80"	57" x 83 1/2"	98 1/4"	71	
100"	49" x 87"	61" x 91"	105 3/4"	75	
106"	52" x 92"	64" x 96"	110 3/4"	78	
110"	54" x 96"	66" x 100"	114 3/4"	80	
119"	58" x 104"	62" x 108"	122 3/4"	85	
133"	65" x 116"	69" x 120"	134 3/4"	93	

2.39:1 CinemaScope Format

Nominal Diagonal	Image Area	Overall Size	Case Length	Net Wt. (lbs.)	Qty.
117"	45" x 107 1/2"	57" x 111 1/2"	126 1/4"	88	

1.9:1 2K / 4K Full Format

Nominal Diagonal	Image Area	Overall Size	Case Length	Net Wt. (lbs.)	Qty.
96"	45" x 89 1/2"	57" x 89 1/2"	104 1/4"	74	
118"	55" x 104 1/2"	67" x 108 1/2"	123 1/4"	87	

Custom Size

--	--	--	--	--	--



Draper, Inc. | 411 S. Pearl St. Spiceland, IN 47385
draperinc.com | 765.987.7999 | 800.238.7999

© 2021 All Rights Reserved | FORM: AcumenE_Sub21-R

PROJECT: _____

ARCHITECT: _____

CONTRACTOR: _____

SUPPLIER: _____

DATE: _____ REVISED: _____

Select Mounting Method

- Wall (standard)
- Ceiling (optional)

Select Case Color

- White (standard)
- Black (optional)

Optional Accessories

- Extra Drop
- Black (standard)
- Same color as viewing surface
- Length of Total Drop: _____

Please Note: Extra drop increases case and dowel length. Specify at time of order and contact Draper if dimension is critical.

Select Motor and Controls

Standard Motor and Control Options:

- 110-120V AC with Internal LVC-IV (Low-Voltage Control Module)
- Optional Quiet Motor

Please Note: These motors come with one 110V-120V AC 3-position wall switch (silver wall plate with black rocker).

Total number of 110-120V AC switches: _____
(switches operate independently)

- Substitute white switch(es) for silver wall plate with black rocker
- Optional Key Operated Switch
 - Power Supply Key Switch (On-off)
 - 3-Position Key Control
 - 3-Position Switch with Hinged Key-Locking Coverplate

Low-Voltage Motor and Control Options:

- External LVC-IV (Low-Voltage Control Module)
- Motor with Built-in Low-Voltage Controller (ILT motor)
- Quiet Motor with Built-In Low-Voltage Controller (Quiet ILT)

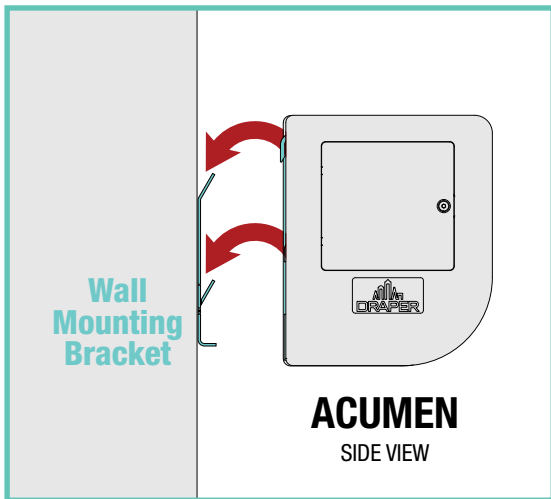
Select Control Options for Low-Voltage from below:

- 24 Volt 3-Button Switch (Number of 24V switches: _____)
- Radio Frequency Remote Control (only with 24V)
- Infrared Remote Control (only with 24V)
- Optional Key Operated Switch
 - Power Supply Key Switch (On-off)
 - 3-Position Switch with Hinged Key-Locking Coverplate

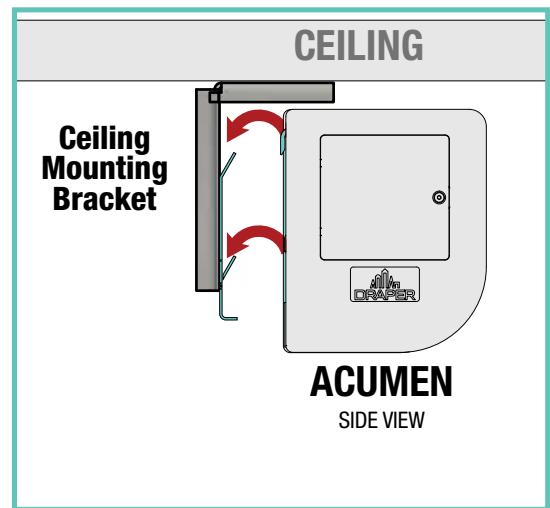
Methods of Installation

⚠ CAUTION: Product is very heavy: Installer must provide adequate attachment hardware and anchors as required. Installer must also ensure that wall or ceiling structure is of adequate strength.

WALL MOUNTED



CEILING MOUNTED



PROJECT: _____

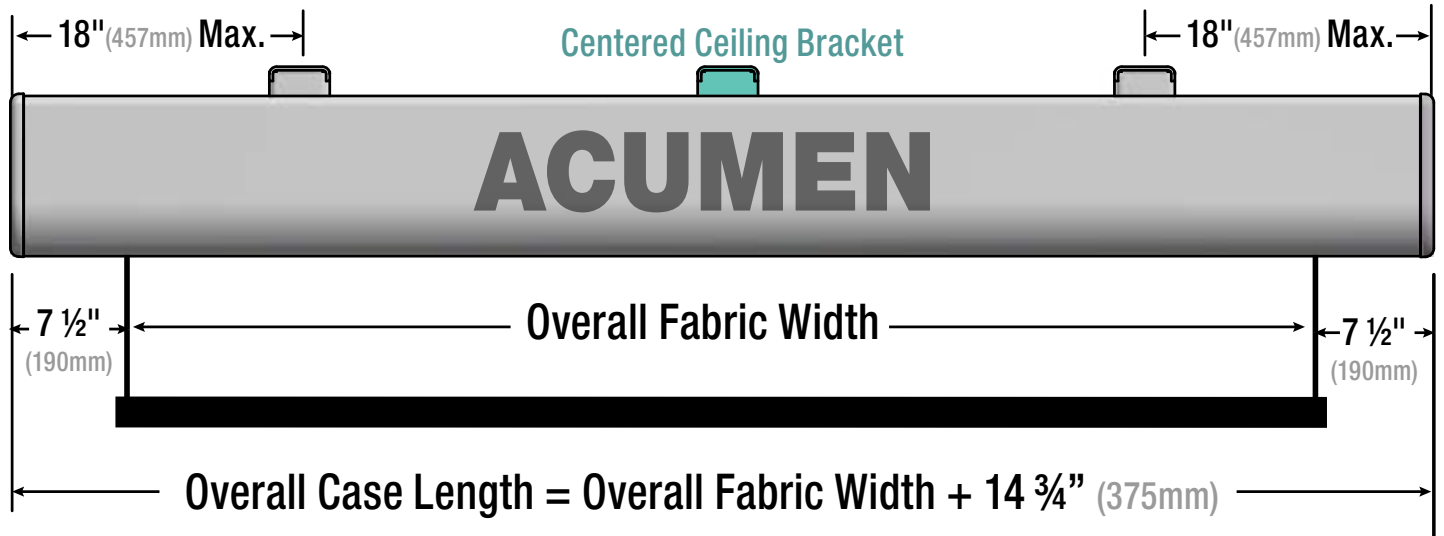
ARCHITECT: _____

CONTRACTOR: _____

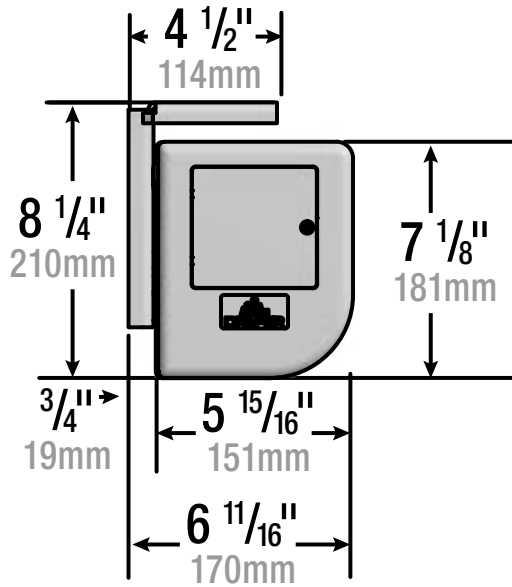
SUPPLIER: _____

DATE: _____ REVISED: _____

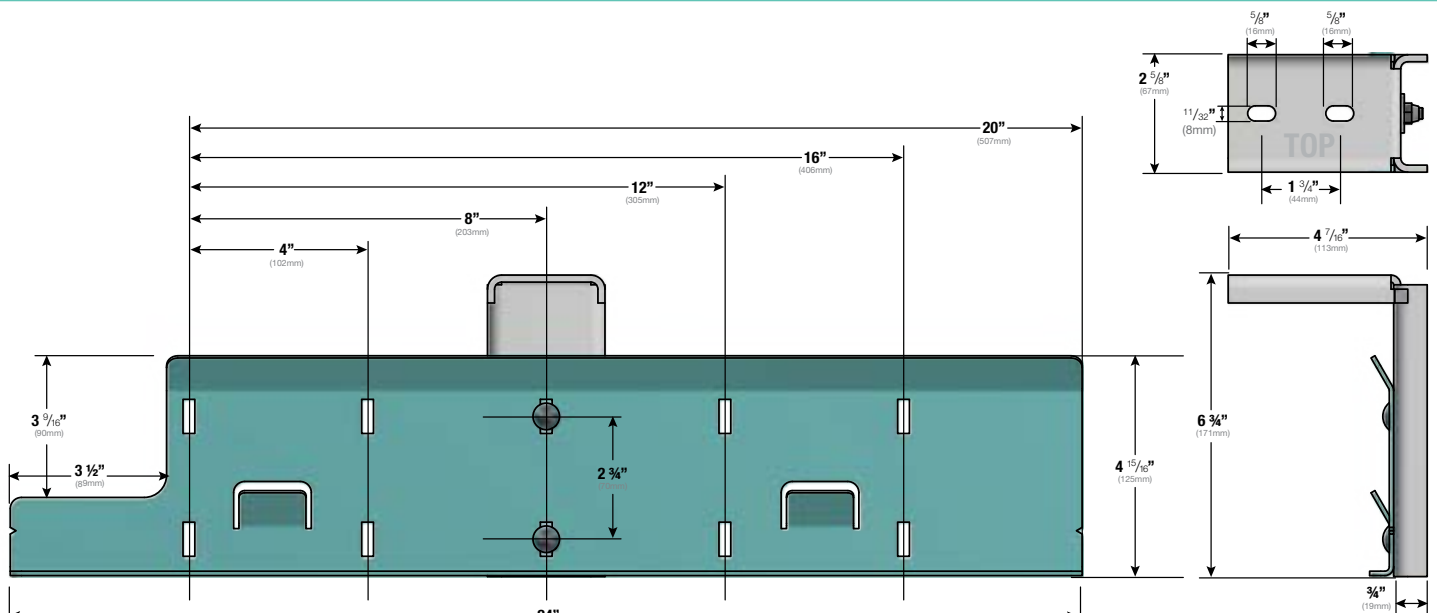
Case Dimensions



End of Case Dimensions

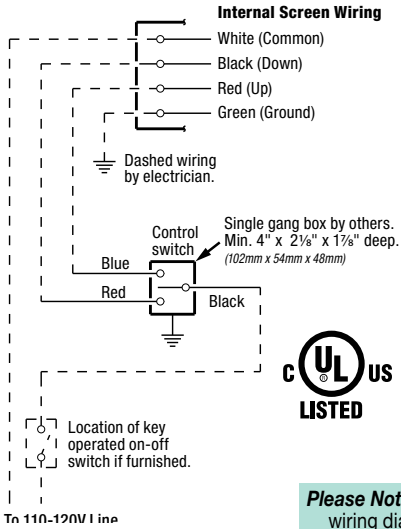


Wall & Ceiling Bracket Dimensions



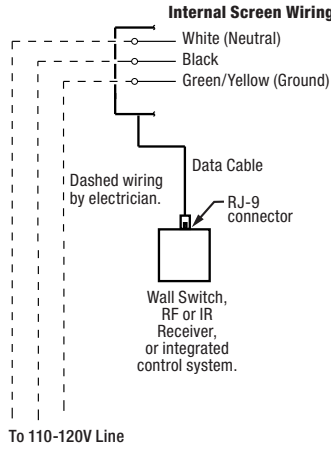
For more information and wiring diagrams for serial and network communication, please see wiring diagrams supplied with individual items.

110-120V MOTOR STANDARD Single Station Control

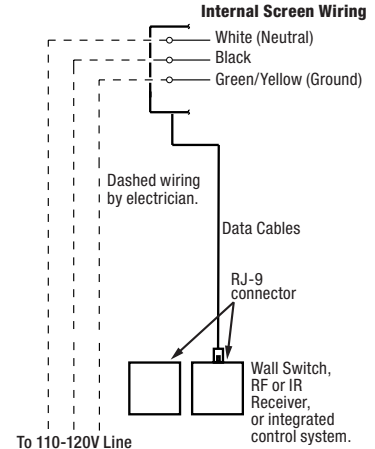


110-120V MOTOR AND QUIET MOTOR (Internal Low-Voltage Controller for ILT motor)

Single Station Control

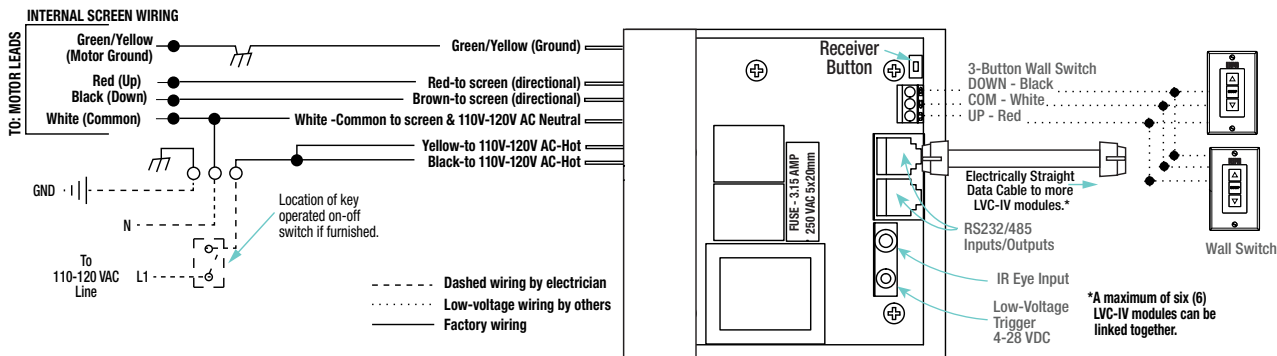
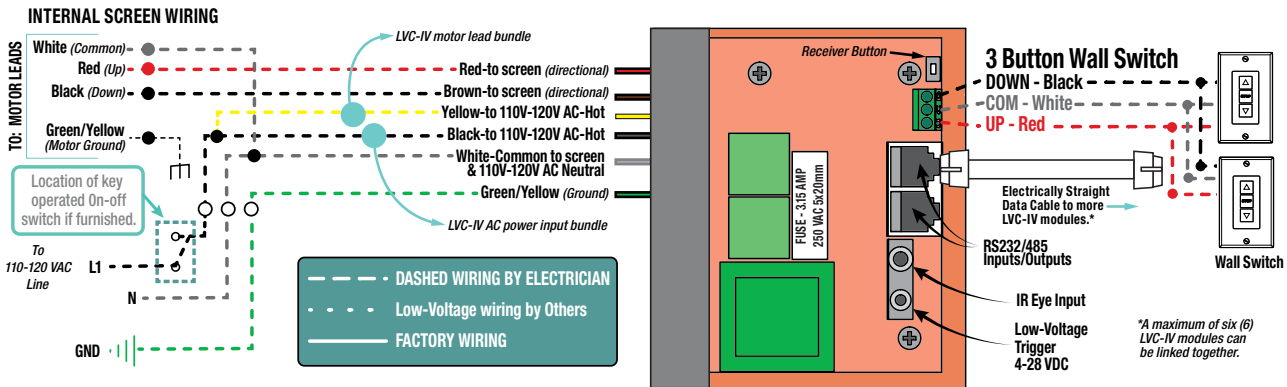


Multiple Station Control



Please Note: For external low-voltage (LVC-IV), serial (LVC-IV) and network (LVC-IV) wiring diagrams, please consult instructions for those modules.

WIRING DIAGRAM - External LVC-IV (Low-Voltage Control Module)



PROJECT: _____

ARCHITECT: _____

CONTRACTOR: _____

SUPPLIER: _____

DATE: _____ REVISED: _____