

# Access XL V

Extra large, ceiling-recessed electric screen



## SUBMITTAL TECHNICAL INFO

Please check all appropriate selections and attach room schedule with verified dimensions.

### Specifications

QUANTITY: \_\_\_\_\_ SIZE: \_\_\_\_\_ h. x \_\_\_\_\_ w.

Projection screens for recessed ceiling mounting. Case back, top, and front constructed of steel. Endcaps are steel. Bottom panel forms slot for passage of viewing surface, easily removable for access. Housing allows for left- or right-hand motor location and for viewing surface to unroll from the back or front of the roller. Housing allows for left- or right-hand motor location and for viewing surface to unroll from the back or front of the roller. Housing includes bottom flange for trim around edges of ceiling opening. Case may be mounted with 3/8" (9.5mm) threaded rod, or with 3/8" (9.5mm) lag screws through mounting brackets. Mounting brackets slide in 18" (45.7cm) long channels on top of case, allowing brackets to be moved to avoid interference with conflicting building structures. Brackets must be locked in position by tightening screws. In typical installations, mounting brackets may be angled to meet installation requirements.

Roller/fabric assembly may be installed in case at factory. Brackets supporting roller/fabric assembly slide in a track inside the top of the case, allowing viewing surface to be centered in case. Roller of 5" (12.7cm) dia. metal. Viewing surface with black masking borders. Each side of surface has a tab-guide cable system for even lateral tension and flat surface. Bottom of surface supported and masked by black extruded aluminum dowel weighted to apply proper vertical tension. Top of viewing surface masked by 12" (30cm) black drop. Viewing surface flame and mildew resistant. Matt White XT1000V and Grey XH600V viewing surfaces are certified to GREENGUARD standards for low chemical emissions into indoor air during product usage. For more information, visit [ul.com/gg](http://ul.com/gg).

Electrically operated 110-120v AC, 60 Hz. 4-Wire motor mounted inside screen roller: Max 2.1 Amp current draw, instantly reversible, lifetime lubricated, with internal thermal overload protector and electric brake, and standard motor with preset accessible limit switches. Housing features internal junction box, allowing it to be installed and wired to building supply wires at an early stage of construction. Junction box has plug-in style connector, accepting the mating half of the connector from the motorized roller/ fabric assembly. 3-position control switch to stop or reverse screen at any point. Switch(es) furnished with cover plate.

Entire unit certified by Underwriters' Laboratories for the U.S. and Canada. Plenum rated case (UL approved "Suitable for Use in Environmental Air Space"). Specifications subject to change without notice. For more information, visit [ul.com/gg](http://ul.com/gg).

DOWNLOADABLE 3-PART SPECIFICATIONS: available at [www.draperinc.com](http://www.draperinc.com)

Please note: Dimensions of rollers, operators, and hardware at manufacturer's discretion.



### Select Case Color:

- White (standard)
- Black (optional)

### Select Motor Location:

- Left end (standard) (fabric rolls off back of roller)
- Right end (fabric rolls off front of roller)

### Optional Accessories:

- Additional set of mounting brackets for alternate mounting (see page 2)
- Additional Drop \_\_\_\_\_ (beyond standard 12" (30cm))
- Total Drop \_\_\_\_\_ (standard 12" (30cm) + additional drop)
- Black (standard)
- Same color as viewing surface (Total screen height cannot exceed 22' (6.7 m); extra drop increases length of case.)

Please Note: Extra drop increases case and dowel length. Specify at time of order and contact Draper if this dimension is critical.

### Select Viewing Surface:

#### OptiFlex (Tensioned Screen Surface)

- Matt White XT1000V (1.0 gain) (GREENGUARD Gold Certified)
- Grey XH600V (0.6 gain) (GREENGUARD Gold Certified)
- Pure White XT1300V (1.3 gain)

#### CineFlex (Rear/Dual Projection)

- CineFlex CH1200V (1.2 gain)
- CineFlex White XT700V (0.7 gain)
- Other: \_\_\_\_\_

#### ClearSound (Acoustically Transparent)

- ClearSound Perf XT900V (0.9 gain)
- Other: \_\_\_\_\_

### TECVISION® Premium Optical Surface

- XH700X Grey (0.7 gain) Certified
- XH800X UST ALR (0.8 gain) Certified
- XH900X ALR (0.9 gain) Certified
- MS1000X ALR (1.0 gain) Certified
- CS1000X ALR (1.0 gain) Certified
- CS1200X ALR (1.2 gain) Certified
- XT1000X White (1.0 gain) Certified
- XT1100X White (1.1 gain) Certified
- XT1300X White (1.2 gain) Certified
- XT1600X White (1.6 gain) Certified
- XT1800X White (1.8 gain) Certified
- XH700X Grey NanoPerf (0.7 gain) Certified
- XH900X ALR NanoPerf (0.9 gain) Certified
- MS1000X ALR NanoPerf (1.0 gain) Certified
- XT1000X White NanoPerf (1.0 gain) Certified
- XT1100X White NanoPerf (1.1 gain) Certified
- XT1300X White NanoPerf (1.3 gain) Certified
- XT1600X White NanoPerf (1.6 gain) Certified
- XT1800X White NanoPerf (1.8 gain) Certified
- CS1000X ALR NanoPerf (1.0 gain) Certified
- CS1200X ALR NanoPerf (1.2 gain) Certified



Draper, Inc. | 411 S. Pearl St. Spiceland, IN 47385  
draperinc.com | 765.987.7999 | 800.238.7999  
© 2020 All Rights Reserved | FORM: AccessXLV\_Sub20

PROJECT: \_\_\_\_\_

ARCHITECT: \_\_\_\_\_

CONTRACTOR: \_\_\_\_\_

SUPPLIER: \_\_\_\_\_

DATE: \_\_\_\_\_ REVISED: \_\_\_\_\_

## Select Motor and Controls:

### Standard Voltage Motor and Control Options:

- 110-120V AC (standard)

**Please Note:** This motor comes with one 110V-120V AC 3-position wall switch (silver wall plate with black rocker).

\_\_\_\_\_ Total number of 110-120V AC switches  
(operate independently)

- Substitute white switch(es) for silver wall plate with black rocker
- Optional Key Operated Switch
  - Power Supply Key Switch (on-off)
  - 3-Position Key Control
  - 3-Position Switch with Hinged Key-Locking Coverplate

### Low-Voltage Control Options:

- Internal LVC-IV (Low-Voltage Control Module)
- External LVC-IV (Low-Voltage Control Module)
- Motor with Internal Low-Voltage Controller

**Please Note:** Select Control Options for Low-Voltage from below.

- 24 Volt 3-Button Switch      Number of 24V switches: \_\_\_\_\_
- Radio Frequency Remote Control (only with 24V)
- Infrared Remote Control (only with 24V)
- Optional Key Operated Switch
  - Power Supply Key Switch (on-off)
  - 3-Position Switch with Hinged Key-Locking Coverplate

## Dimensions and Data

### 16:10 Format

Nominal Diagonal	Image Area	Case Length <sup>1</sup>	Dowel Length	Net Wt. (lbs.)	Qty.
255"	135" x 216"	246 <sup>5</sup> / <sub>8</sub> "	234 <sup>1</sup> / <sub>4</sub> "	290	

### HDTV Format (16:9)

Nominal Diagonal	Image Area	Case Length <sup>1</sup>	Dowel Length	Net Wt. (lbs.)	Qty.
248"	121 <sup>1</sup> / <sub>2</sub> " x 216"	244 <sup>7</sup> / <sub>8</sub> "	232 <sup>1</sup> / <sub>2</sub> "	285	

### NTSC Video Format (4:3)

Nominal Diagonal	Image Area	Case Length <sup>1</sup>	Dowel Length	Net Wt. (lbs.)	Qty.
250"	148" x 198"	228 <sup>5</sup> / <sub>8</sub> "	216 <sup>1</sup> / <sub>4</sub> "	272	
270"	162" x 216"	248 <sup>5</sup> / <sub>8</sub> "	236 <sup>1</sup> / <sub>4</sub> "	295	

### Audio Visual Format

Size (H x W)	Case Length <sup>1</sup>	Dowel Length	Net Wt. (lbs.)	Qty.
16' x 16'	229"	216 <sup>5</sup> / <sub>8</sub> "	279	
13'6" x 18'	248 <sup>5</sup> / <sub>8</sub> "	236 <sup>1</sup> / <sub>4</sub> "	295	
18' x 18'	254 <sup>7</sup> / <sub>8</sub> "	242 <sup>1</sup> / <sub>2</sub> "	311	

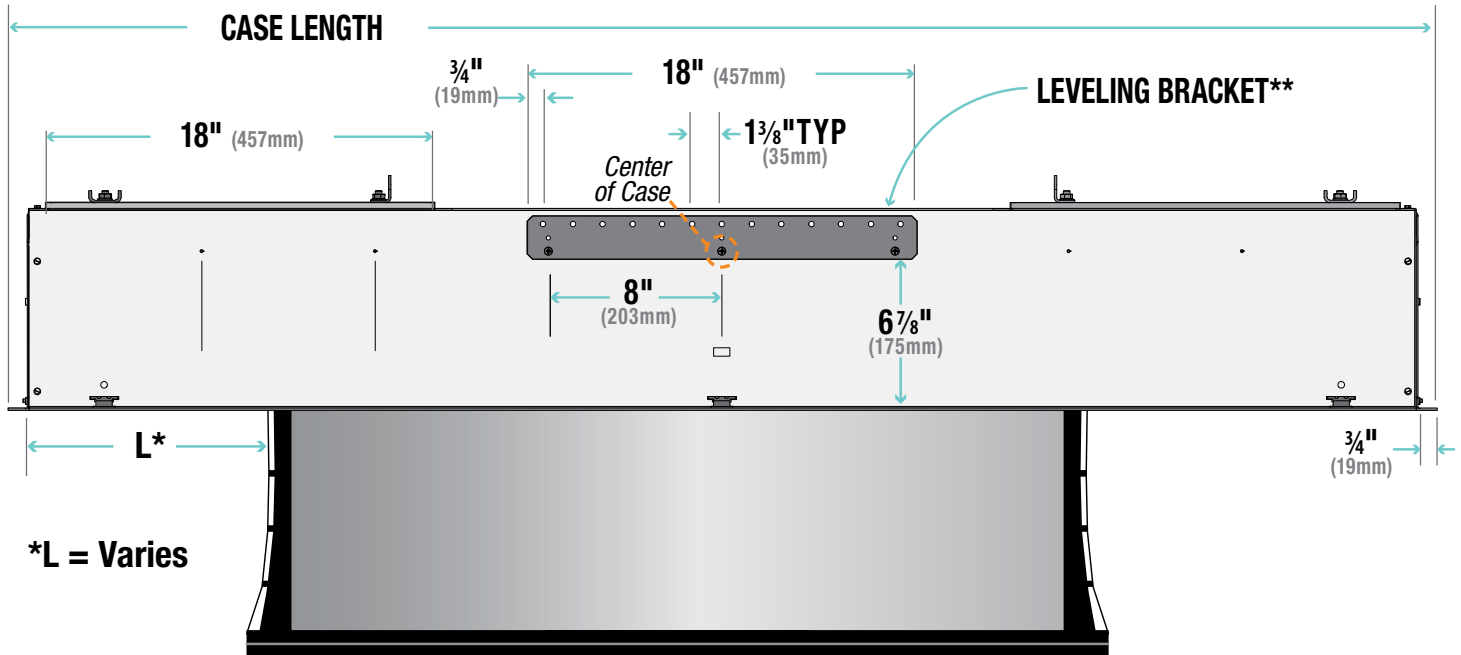
### Custom Size

--	--	--	--	--	--

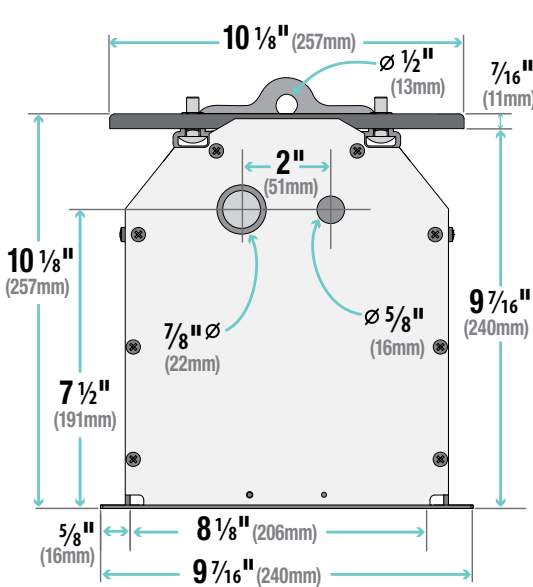
Extra drop will increase case and dowel length.  
Specify at time of order and contact Draper if this dimension is critical.

<sup>1</sup> Includes <sup>3</sup>/<sub>4</sub>" (19 mm) flange on each end of case.  
Subtract 1 <sup>1</sup>/<sub>4</sub>" (32 mm) for rough ceiling cutout size.

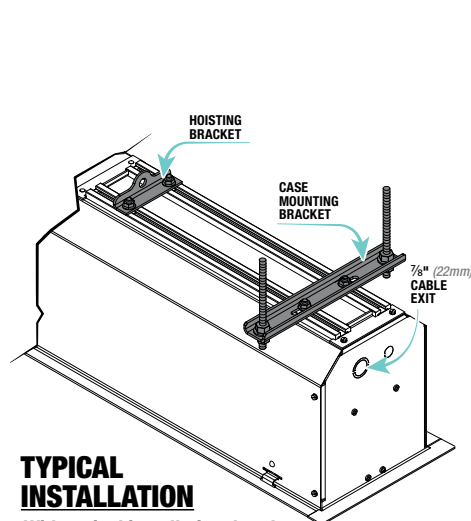
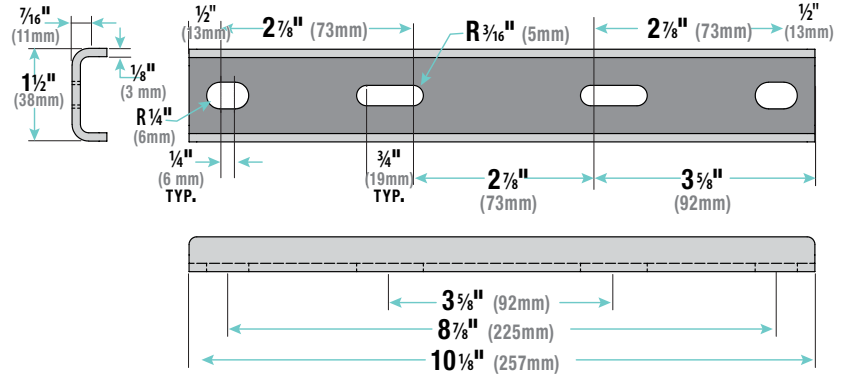
## Case Dimensions and Methods of Installation



- For minimum length of ceiling cutout: subtract 1 1/4" (32mm) from case length (measured from outer edge of flanges).
- For minimum width of cutout (front to back): see case width dimensions below.
- \*\*Leveling bracket is used to level the case and should NOT be used to support the weight of the unit.
- The leveling bracket is screwed to the side of the case. Hardware used for leveling provided by others.
- There are several knock-outs in the screen housing to allow the Leveling Bracket to be adjusted laterally up to 16" (40.6cm) in either direction.

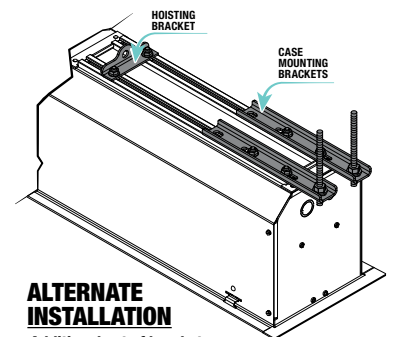


Standard Motor Wiring is on the AUDIENCE LEFT END of Screen Case.



### TYPICAL INSTALLATION

With typical installation, brackets may be angled to meet installation requirements.



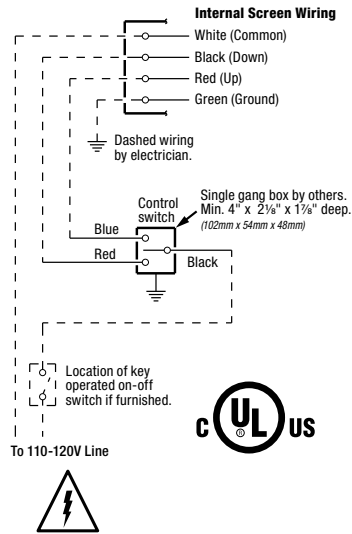
### ALTERNATE INSTALLATION

Additional set of brackets required, but **NOT** included.

## Wiring Diagrams

**Please Note:** For more information and wiring diagrams for serial and network communication, please see wiring diagrams supplied with individual items.

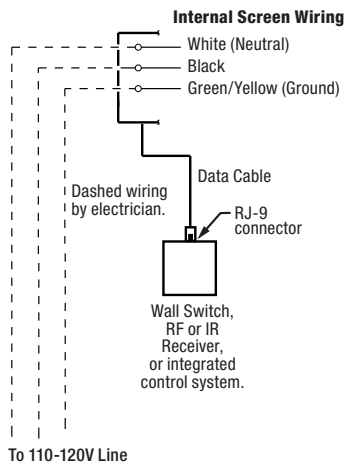
### 110-120V Motor Single Station Control



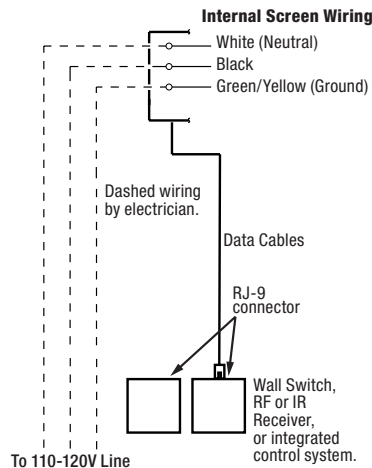
**Please Note:** For external low-voltage (LVC-IV), serial (LVC-IV), and network (LVC-IV) wiring diagrams, please consult instructions for those modules.

### 110-120V Motor with Internal Low Voltage

#### Single Station Control



#### Multiple Station Control



PROJECT: \_\_\_\_\_

ARCHITECT: \_\_\_\_\_

CONTRACTOR: \_\_\_\_\_

SUPPLIER: \_\_\_\_\_

DATE: \_\_\_\_\_ REVISED: \_\_\_\_\_