

Access XL V

Ceiling recessed projection screen.

SUBMITTAL

TECHNICAL INFORMATION

Specifications *Please check all appropriate selections and attach room schedule with verified dimensions.*

Projection screens, size _____ h. x _____ w., for recessed ceiling mounting. Case back, top, and front constructed of steel. Endcaps are steel. Bottom panel forms slot for passage of viewing surface, easily removable for access. Housing to allow for left or right-hand motor location and for viewing surface to unroll from the back or front of the roller. Housing to include bottom flange for trim around edges of ceiling opening. Case may be mounted with $\frac{3}{8}$ " threaded rod, or with $\frac{3}{8}$ " lag screws through mounting brackets. Mounting brackets slide in 18" long channels on top of case, allowing brackets to be moved to avoid interference with conflicting building structures. Brackets must be locked in position by tightening screws. Brackets may also be angled to meet installation requirements.

Roller/fabric assembly may be installed in case at factory. Brackets supporting roller/fabric assembly to slide in a track inside the top of the case, allowing viewing surface to be centered in case regardless of screen size. Roller of 5" dia. metal. Viewing surface with black masking borders. Each side of surface to have tab-guide cable system for even lateral tension and flat surface. Bottom of surface supported and masked by black extruded aluminum dowel weighted to apply proper vertical tension. Top of viewing surface masked by 12" black drop. Viewing surface flame and mildew resistant. Matt White XT1000V and Grey XH600V viewing surfaces are certified to GREENGUARD standards for low chemical emissions into indoor air during product usage. For more information, visit ul.com/gg.

Electrically operated 110-120V AC, 60 Hz. 4-wire motor mounted inside screen roller, max 2.1 amp current draw, instantly reversible, lifetime lubricated, with internal thermal overload protector and electric brake, and preset limits. Housing to feature internal junction box, allowing it to be installed and wired to building supply wires at an early stage of construction. Junction box to have plug-in style connector, accepting the mating half of the connector from the motorized roller/fabric assembly. 3-position control switch to stop or reverse screen at any point. Switch(es) furnished with cover plate.

Entire unit certified by Underwriters' Laboratories for the U.S. and Canada. Plenum rated case (UL approved "Suitable for Use in Environmental Air Space"). Specifications subject to change without notice. For more information, visit ul.com/gg.

PATENT INFORMATION: available at www.draperinc.com/legal/patents

DOWNLOADABLE 3-PART SPECIFICATIONS: available at www.draperinc.com.

Please note: Dimensions of rollers, operators and hardware at manufacturer's discretion.

Select Case Color:

- White (standard)
- Black (optional)



Select Viewing Surface:

- Matt White XT1000V (1.0 gain): GREENGUARD Gold certified
- Grey XH600V (0.6 gain) (Thru 10'6" x 14"): GREENGUARD Gold
- Pure White XT1300V (1.3 gain): Optional
- Other: _____

Select Motor and Controls:

Standard Voltage Motor and Control Options:

- 110-120V AC (standard)

Please Note: This motor come with one 110V-120V AC 3-position wall switch (silver wall plate with black rocker).

- _____ Total number of 110-120V AC switches (operate independently)
- Substitute white switch(es) for silver wall plate with black rocker
- Optional Key Operated Switch
 - Power Supply Key Switch (On-off)
 - 3-Position Key Control
 - 3-Position Switch with Hinged Key-Locking Coverplate

Low Voltage Motor and Control Options:

- Internal LVC-IV (Low Voltage Control Module)
- External LVC-IV (Low Voltage Control Module)
- Motor with Built-In Low Voltage Controller

Please Note: Select Control Options for Low Voltage from below.

- 24 Volt 3-Button Switch Number of 24V switches: _____
- Radio Frequency Remote Control (only with 24v)
- Infrared Remote Control (only with 24v)
- Optional Key Operated Switch
 - Power Supply Key Switch (On-off)
 - 3-Position Switch with Hinged Key-Locking Coverplate

Select Motor Location:

- Left end (standard) (fabric will roll off the back of the roller)
- Right end (fabric will roll off the front of the roller)

Optional Accessories:

- Additional set of mounting brackets for alternate mounting (see page 2)
- Additional Drop _____ (Beyond standard 12")³
- Total Drop _____ (Standard 12" + Additional drop)
 - Black (standard)
 - Same color as viewing surface (Total screen height cannot exceed 22'; extra drop increases length of case)

Dimensions & Data

Nominal Diagonal	Image Area	Case Length ²	Dowel Length	Net Wt. (lbs.)	Qty.
16:10 Format					
255"	135" x 216"	246 $\frac{5}{8}$ "	234 $\frac{1}{4}$ "	290	
HDTV Format (16:9)					
248"	121 $\frac{1}{2}$ " x 216"	244 $\frac{7}{8}$ "	232 $\frac{1}{2}$ "	285	
NTSC Video Format (4:3)					
250"	148" x 198"	228 $\frac{5}{8}$ "	216 $\frac{1}{4}$ "	272	
270"	162" x 216"	248 $\frac{5}{8}$ "	236 $\frac{1}{4}$ "	295	
Size H x W		Case Length ²	Dowel Length	Net Wt. (lbs.)	Qty.
Audio Visual Format					
16' x 16'		229"	216 $\frac{5}{8}$ "	279	
13' 6" x 18'		248 $\frac{5}{8}$ "	236 $\frac{1}{4}$ "	295	
18' x 18'		254 $\frac{7}{8}$ "	242 $\frac{1}{2}$ "	311	
Custom Size					

¹ Extra drop will increase case and dowel length. Specify at time of order and contact Draper if this dimension is critical.

² Case sizes include 1" flange on each end of case. Subtract 1 $\frac{1}{2}$ " for rough ceiling cutout size.

Also available in 1.85:1, 2.35:1 and 15:9 Formats. Contact Draper.



PROJECT: _____

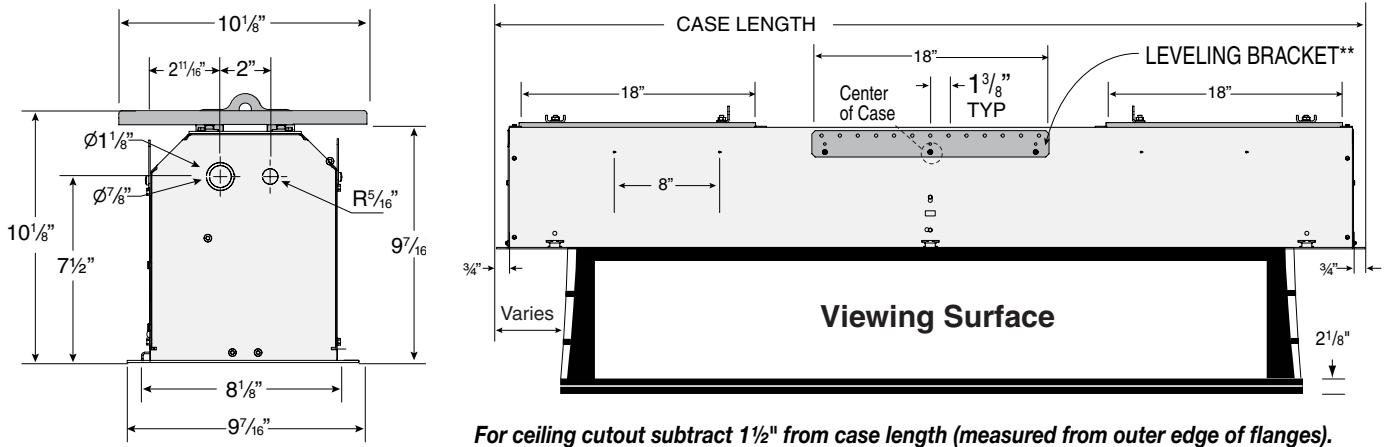
ARCHITECT: _____

CONTRACTOR: _____

SUPPLIER: _____

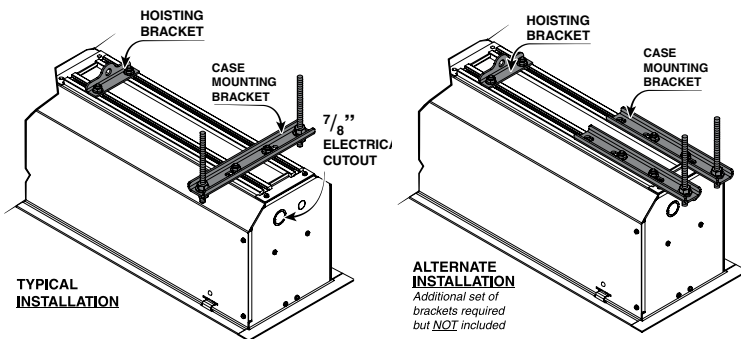
DATE: _____ REVISED: _____

Case Dimensions and Methods of Installation

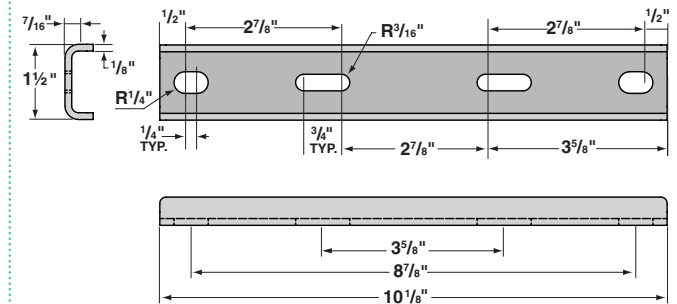


For ceiling cutout subtract 1 1/2" from case length (measured from outer edge of flanges).

Ceiling Mounting Bracket Locations and Configurations



Mounting Bracket Dimensions

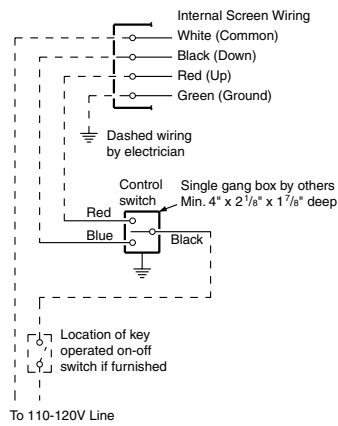


With typical installation, brackets may be angled to meet installation requirements.

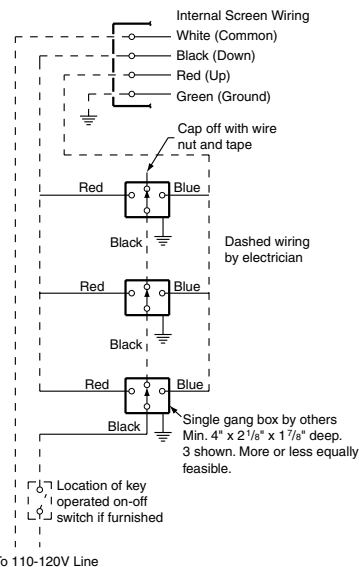
Wiring Diagrams*

110-120V Motor

Single Station Control



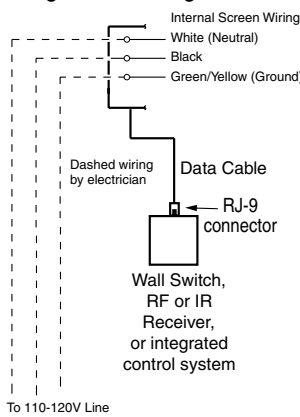
Multiple Station Control



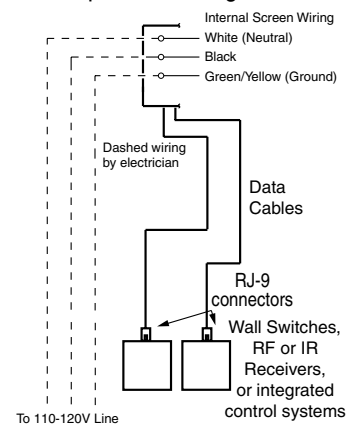
110-120V Motor

with Built-in Low Voltage Controller

Single Low Voltage Control



Multiple Low Voltage Controls



Please Note: For external low voltage (LVC-IV), serial (LVC-IV) and network (LVC-IV & LS101) wiring diagrams, please consult instructions for those modules.

PROJECT: _____

SUPPLIER: _____

DATE: _____ REVISED: _____