

Specifications **Please check all appropriate selections and attach room schedule with verified dimensions.**

QUANTITY: _____ SIZE: _____ h. x _____ w.

Projection screens, recessed ceiling mounted. Case back, top, and front constructed of steel. Endcaps are steel. Bottom panel forms slot for passage of viewing surface, easily removable for access. Symmetrical housing to allow for left or right-hand motor location, and for viewing surface to unroll from the back or front of the roller. Case to include bottom flange for trim around edges of ceiling opening. Case may be mounted with a 3/8" (9.5 mm) threaded rod, lag screws, or with wire in a grid ceiling. Mounting brackets slide in 18" (457 mm) long channels on top of case, allowing brackets to be moved to avoid interference with conflicting building structures. Brackets must be locked in position by tightening screws. Brackets may also be angled to meet installation requirements.

ROLLER/FABRIC ASSEMBLY: May be installed in case at factory or job site. Brackets supporting roller/ fabric assembly to slide in track inside top of case, allowing viewing surface to be centered in case regardless of screen size. Roller of 3" (76 mm) dia. steel. Top of HDTV and 16:10 format viewing surfaces through 110" (2.8 m) diagonal masked by 12" (30 cm) black drop. Viewing surface flame and mildew resistant. Matt White XT1000E and Contrast Grey XH800E viewing surfaces are certified to GREENGUARD standards for low chemical emissions into indoor air during product usage. For more information, visit ul.com/gg.

Select Shipping Option

- Case Now, Screen Assembly Later¹
- Complete Unit Now



Select Case Color

- White (standard)
- Black (optional)

Select Motor and Controls

Standard Voltage Motor and Control Options:

- 110-120V AC (standard)
- Optional Quiet Motor²

Please Note: These motors come with one 110V-120V AC 3-position wall switch (silver wall plate with black rocker).

- Total number of 110-120V AC switches: _____ (operate independently)
 - Substitute white switch(es) for silver wall plate with black rocker
 - Optional Key Operated Switch
 - Power Supply Key Switch (On-off)
 - 3-Position Key Control
 - 3-Position Switch with Hinged Key-Locking Coverplate

Low-Voltage Motor and Control Options:

- Internal LVC-IV (Low-Voltage Control Module)
- External LVC-IV (Low-Voltage Control Module)
- Motor with Internal Low-Voltage Controller¹
- Quiet Motor with Internal Low-Voltage Controller^{1,3}

Please Note: Select Control Options for Low-Voltage from below.

- 24 Volt 3-Button Switch (Number of 24V switches: _____)
- Radio Frequency Remote Control (only with 24V)
- Infrared Remote Control (only with 24V)
- Optional Key Operated Switch
 - Power Supply Key Switch (On-off)
 - 3-Position Switch with Hinged Key-Locking Coverplate

Select Motor Location

- Left end (standard)
- Right end

Optional Accessories

- Additional set of mounting brackets for alternate mounting (see page 2)
- Extra Drop:
 - Black (standard)
 - Same color as viewing surface
 - Length of Total Drop: _____ (Total screen height cannot exceed 12')
- Black Masking Borders (Optional on AV format, standard on all others)

Select Viewing Surface:

OptiView (Self-Supporting Screen Surface)

- Matt White XT1000E (1.0 gain)
- Contrast Grey XH800E (0.8 gain)

ClearSound (Acoustically Transparent)

- ClearSound White Weave XT900E (0.9 gain)
- ClearSound Grey Weave XH600E (0.6 gain)

Chroma Key (used for video production and recording)

- Chroma Key Green

ELECTRICALLY OPERATED 110-120V AC, 60 HZ, 4-WIRE MOTOR MOUNTED INSIDE SCREEN ROLLER: 1.1 amp current draw, instantly reversible, lifetime lubricated, with internal thermal overload protector and electric brake, standard motor with preset accessible switches. Optional quiet motor operates at 44 Db (motor noise is approximately 30% less than standard tubular motors). Housing to feature internal junction box, allowing it to be installed and wired to building supply wires at an early stage of construction. Junction box to have plug-in style connector, accepting the mating half of the connector from the motorized roller/fabric assembly, 3-position control switch (or switches – specify number) to stop or reverse screen at any point. Switch(es) furnished with cover plate.

DOWNLOADABLE 3-PART SPECIFICATIONS: available at www.draperinc.com

Please note: Dimensions of rollers, operators, and hardware at manufacturer's discretion.

Dimensions and Data

16:10 Format

Nominal Diagonal	Image Area	Overall Size	Case Length	Net Wt. (lbs.)	Qty.
94"	50" x 80"	62" x 83 1/2"	97 3/4"	107	
109"	57 1/2" x 92"	69 1/2" x 96"	109 3/4"	113	
113"	60" x 96"	72" x 100"	113 3/4"	117	
123"	65" x 104"	69" x 108"	121 3/4"	121	
137"	72 1/2" x 116"	76 1/2" x 120"	133 3/4"	129	
165"	87 1/2" x 140"	92 1/2" x 144"	157 3/4"	153	
189"	100" x 160"	105" x 164"	177 3/4"	172	
198"	105" x 168"	110" x 172"	185 3/4"	285	
222"	117 1/2" x 188"	122 1/2" x 192"	205 3/4"	378	

16:9 HDTV Format

Nominal Diagonal	Image Area	Overall Size	Case Length	Net Wt. (lbs.)	Qty.
92"	45" x 80"	57" x 83 1/2"	97 3/4"	106	
100"	49" x 87"	61" x 91"	104 3/4"	107	
106"	52" x 92"	64" x 96"	109 3/4"	111	
110"	54" x 96"	66" x 100"	113 3/4"	116	
119"	58" x 104"	62" x 108"	121 3/4"	120	
133"	65" x 116"	69" x 120"	133 3/4"	129	
161"	79" x 140"	84" x 144"	157 3/4"	148	
184"	90" x 160"	95" x 164"	177 3/4"	169	
193"	94 1/2" x 168"	99 1/2" x 172"	185 3/4"	297	
220"	106" x 188"	111" x 192"	205 3/4"	328	

4:3 NTSC Video Format

Nominal Diagonal	Image Area	Overall Size	Case Length	Net Wt. (lbs.)	Qty.
6'	42 1/2" x 56 1/2"	46 1/2" x 59 1/2"	73 3/4"	79	
7'	50" x 66 1/2"	53 1/2" x 69 1/2"	83 3/4"	103	
100"	60" x 80"	64" x 83 1/2"	97 3/4"	113	
10'	69" x 92"	73" x 96"	109 3/4"	107	
11'	78" x 104"	83" x 108"	121 3/4"	125	
150"	87" x 116"	92" x 120"	133 3/4"	130	
15'	105" x 140"	109" x 144"	157 3/4"	154	
200"	118" x 158"	123" x 162"	175 3/4"	210	
210"	126" x 168"	131" x 172"	185 3/4"	250	
220"	132" x 176"	137" x 180"	193 3/4"	278	
240"	141" x 188"	146" x 192"	205 3/4"	378	

AV Format

Nominal Diagonal	Case Length	Net Wt. (lbs.)	Qty.
9' x 12'	157 3/4"	159	
12' x 12'	157 3/4"	142	
10' 6" x 14'	181 3/4"	200	
14' x 14'	181 3/4"	210	
12' x 16'	205 3/4"	278	

Custom Size (available up to 168" x 168")

--	--	--	--	--	--

¹ Please note: When ordering a motor with internal low-voltage controller, if case ships separately from "guts," case includes a 25' (7.6 m) cable and special low-voltage switch.

^{2,3} Size limitations for quiet motors and quiet motors with internal low-voltage controller:

² Quiet Motor Size Limitations			
AV	NTSC	HDTV	16:10
108" x 144"	180"	161"	165"

³ Quiet Motor w/ Internal LVC Size Limitations			
AV	NTSC	HDTV	16:10
96" x 96"	11'	119"	123"



PROJECT: _____

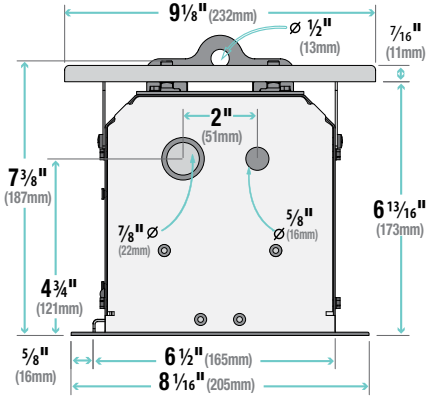
ARCHITECT: _____

CONTRACTOR: _____

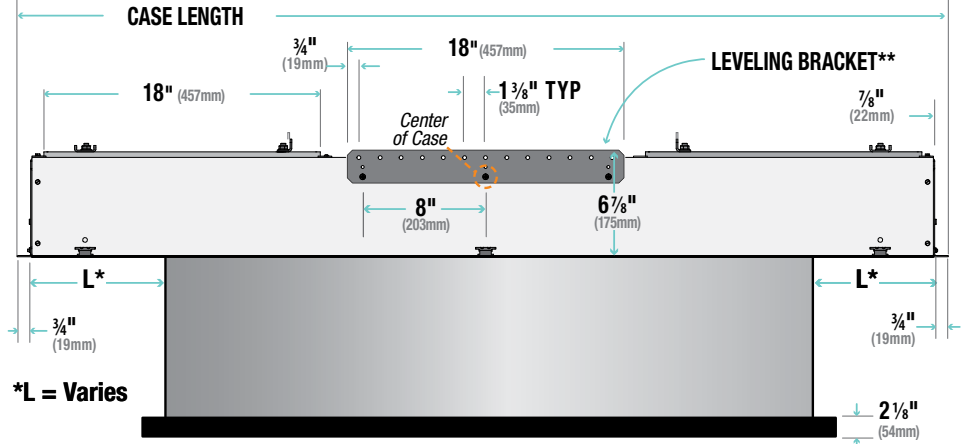
SUPPLIER: _____

DATE: _____ REVISED: _____

Case Dimensions and Methods of Installation

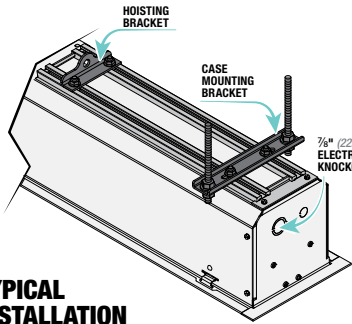


Standard Motor Wiring is on the AUDIENCE LEFT END of Screen Case.



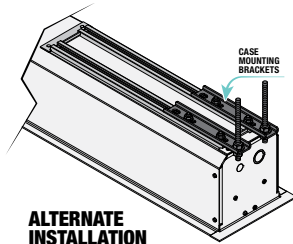
*L = Varies

- For minimum length of ceiling cutout: subtract 1 1/4" (32mm) from case length (measured from outer edge of flanges).
- For minimum width of cutout (front to back): see case width dimensions below.
- **Leveling bracket is used to level the case and should NOT be used to support the weight of the unit.
- The leveling bracket is screwed to the side of the case and remains stationary. Hardware used for leveling provided by others.
- There are several knock-outs in the screen housing to allow the Leveling Bracket to be adjusted laterally up to 16" (40.6cm) in either direction.



TYPICAL INSTALLATION

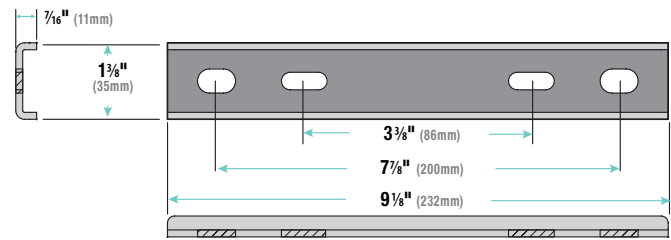
With typical installation, brackets may be angled to meet installation requirements.



ALTERNATE INSTALLATION

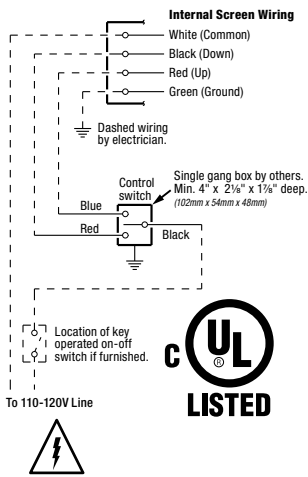
Additional set of brackets required, but **NOT** included.

Mounting Bracket Dimensions



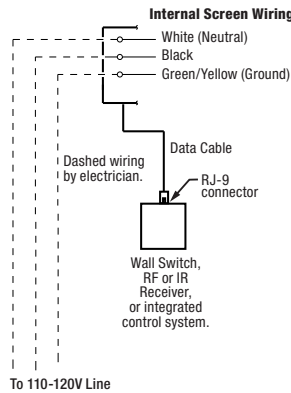
Wiring Diagrams

110-120V MOTOR AND QUIET MOTOR Single Station Control

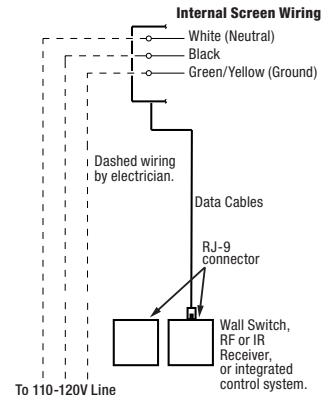


110-120V MOTOR AND QUIET MOTOR (Internal Low-Voltage Controller for ILT motor)

Single Station Control



Multiple Station Control



Please Note: For external low-voltage (LVC-IV), serial (LVC-IV), and network (LVC-IV) wiring diagrams, please consult instructions for those modules.

PROJECT: _____

ARCHITECT: _____

CONTRACTOR: _____

SUPPLIER: _____

DATE: _____ REVISED: _____