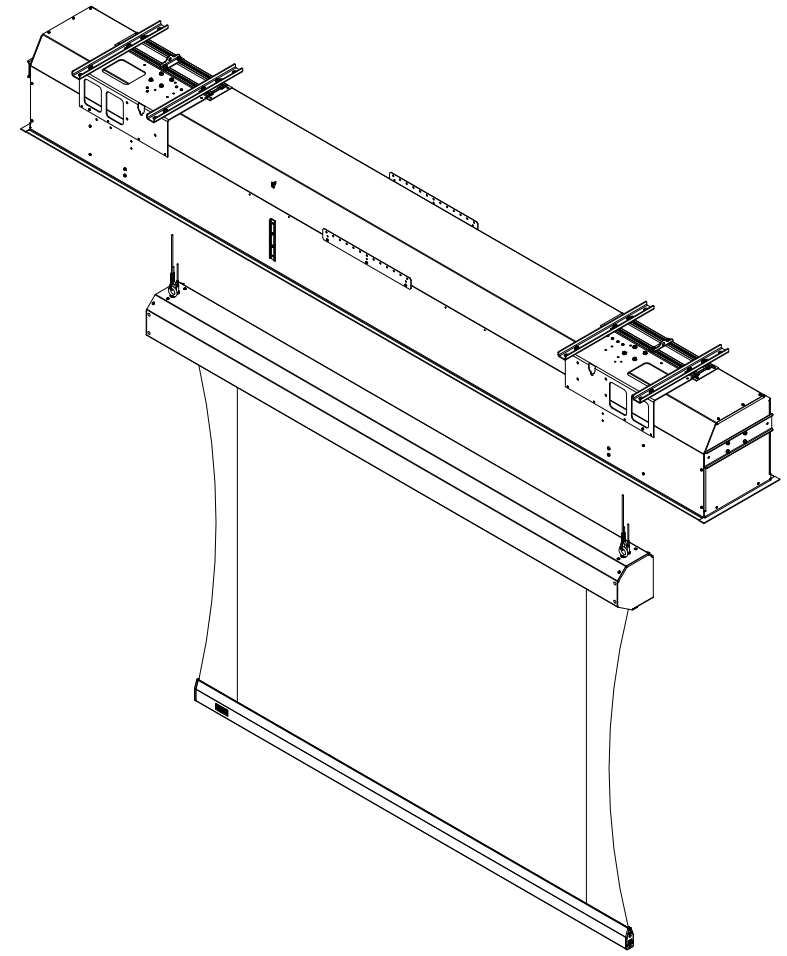
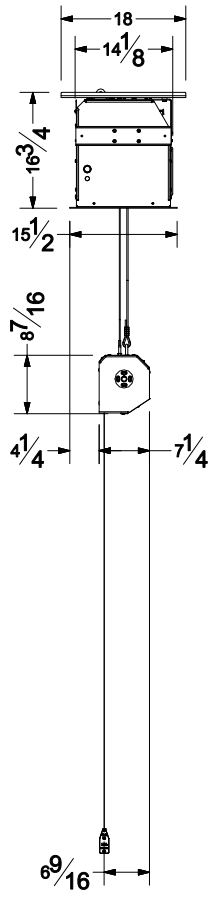


Viewing Area Height: 60  
 Viewing Area Width: 80  
 Extra Black Drop: 6



ROPEWALKER V with XT1000V Matt White

APPROVED BY:

SIGNATURE

DATE

TOLERANCE		DRAPER, INC. 411 S. Pearl St. Spiceland, Indiana			
REVISIONS					
TITLE		RopeWalker V Proposal			
SCALE	BY	DATE	DWG NO		
As Shown		9/20/2018			