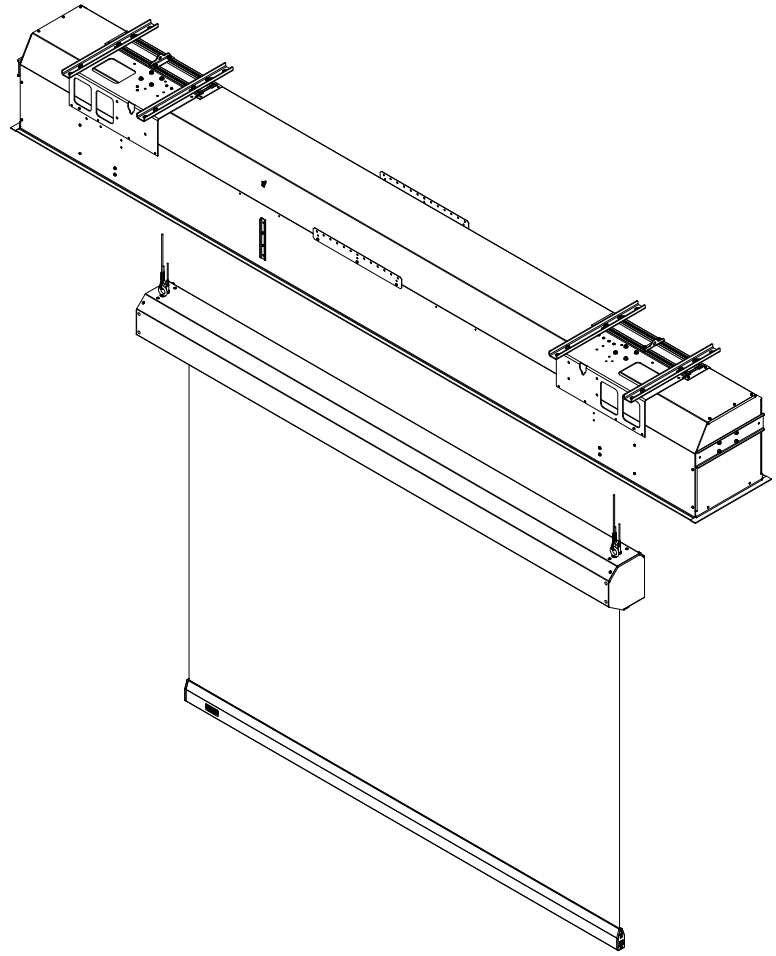


Viewing Area Height: 69
 Viewing Area Width: 92
 Extra Black Drop: 6



ROPEWALKER E with XT1000E Matt White

APPROVED BY: _____
 SIGNATURE DATE

TOLERANCE		DRAPER, INC. 411 S. Pearl St. Spiceland, Indiana			
REVISIONS		TITLE RopeWalker E Proposal			
SCALE As Shown	BY	DATE 9/20/2018	DWG NO		