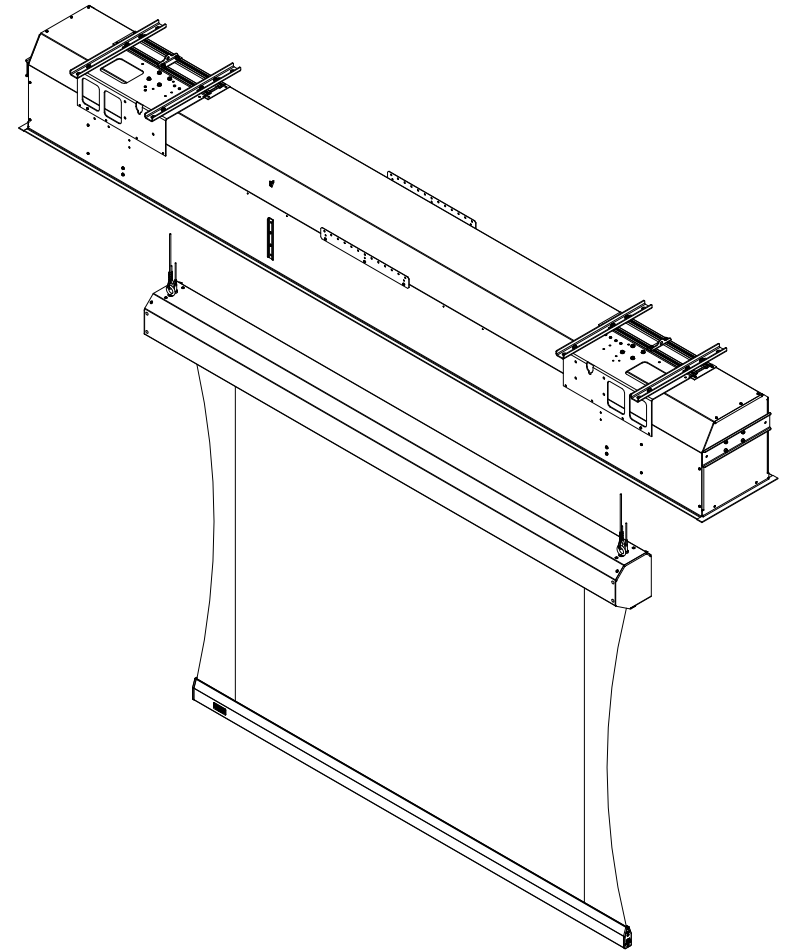
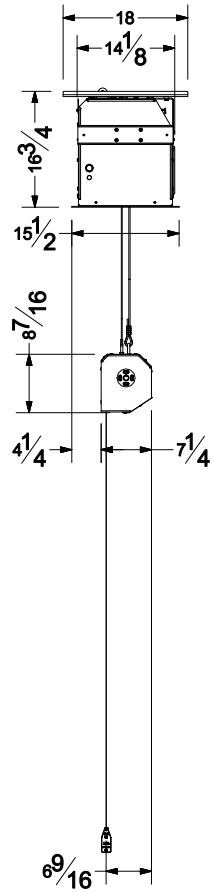


Viewing Area Height: 87.5
 Viewing Area Width: 140
 Extra Black Drop: 6



APPROVED BY:

SIGNATURE

DATE

ROPEWALKER V with XT1000V Matt White

TOLERANCE		DRAPER, INC. 411 S. Pearl St. Spiceland, Indiana			
REVISIONS		TITLE RopeWalker V Proposal			
SCALE As Shown	BY	DATE 9/20/2018	DWG NO		