

## Specifications—VersaRoll IRUS

**DRAPER VERSAROLL IRUS:** Infinite Resolution Uniformity Screens. **SIZE:** \_\_\_\_\_ Material to be acrylic, one-piece, with unique antiglare finish. Screen to have uniform center-to-corner brightness, superior color reproduction, 0.7 gain, 180° viewing cone. Screen to be capable of handling high resolution applications. Excellent for short throw lenses.

**NOTE TO SPECIFIERS:** Be sure to specify overall screen size as well as opening size. Draper cannot recommend field cutting or alteration.

**SPECIFICATIONS SUBJECT TO CHANGE WITHOUT NOTICE.**

**PATENT INFORMATION:** available at <http://www.draperinc.com/legal/patents/>

**DOWNLOADABLE 3-PART SPECIFICATIONS:** available at [www.draperinc.com](http://www.draperinc.com).

**Please note:** Dimensions of rollers, operators and hardware at manufacturer's discretion.

**1. Is screen flat or curved?**

- Flat
- Curved

**2. Screen Model/Coating**

- CineScreen
  - Optical Coating
    - Cine 10
    - Cine 13
    - Cine 15
    - Custom: \_\_\_\_\_
  - Optical Tint
    - HC
    - NG
    - W
- IRUS

**3. What type of lens will be used?**

- Anamorphic/Horizontal Expansion Lens?
- Short Throw?

**4. What is the Lens Throw Ratio?** \_\_\_\_\_

If Throw Ratio is less than 1.6, curved screen is recommended.  
 If Throw Ratio is between 1.6 and 1.9, curved screen is optional.  
 If Throw Ratio is 2.0 or greater, curved screen is not recommended.

**5. How far is the projector lens from the screen (throw distance)?** \_\_\_\_\_

**6. What is the image size of the screen (maximum size 100" h x 30' w.)?**

Viewing Height \_\_\_\_\_ x Viewing Width \_\_\_\_\_

**7. If curved, what is the Radius of the curve (Maximum 8 ft. radius)?**

- Customer Specified = \_\_\_\_\_
- Draper Recommended = \_\_\_\_\_ (see chart)

**8. Projector Model (if known):** \_\_\_\_\_

## Specifications—VersaRoll Cinescreen®

**DRAPER VERSAROLL CINESCREEN:** **OPTICAL COATING** \_\_\_\_\_, **OPTICAL TINT** \_\_\_\_\_, thickness 3/16" (5mm). Base of select quality clear acrylic, with an optical coating not to exceed .004", permanently bonded to one side, and inherently abrasion resistant.

**NOTE TO SPECIFIERS:** Be sure to specify overall screen size as well as opening size. Draper cannot recommend field cutting or alteration.

### CINESCREEN OPTICAL COATINGS

**CINE 10:** Ultra-wide angle coating for maximum center-to-corner uniformity of projected image; gain of 1.0. Suitable for high output projectors.

**CINE 13:** Gain of 1.3, with extremely broad viewing cone and uniform distribution of projected light. Use with all projection formats, including higher luminance video and data-graphics projection.

**CINE 15:** For all formats, for mid-brightness video projectors.

**PLEASE NOTE:** Custom coating is available and often specified. Contact Draper for your specific need.

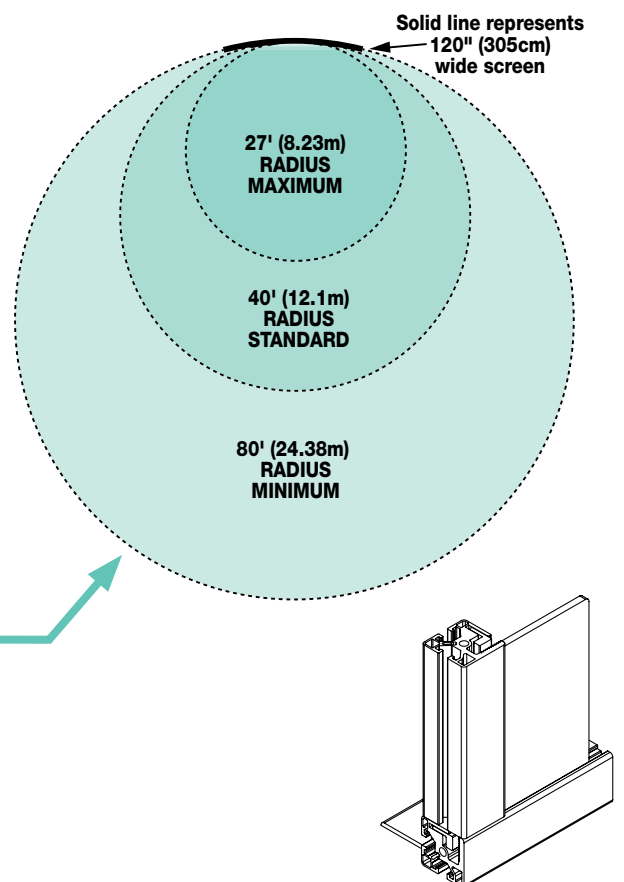
### CINESCREEN OPTICAL TINTS

**HC:** High Contrast has a dark grey tint. Exceptional contrast and color rendition. Recommended for longer throw lenses.

**NG:** Neutral Grey is the standard formulation. Medium grey tint. Normal contrast levels and good color rendition.

**W:** White has a neutral white tint. Low contrast levels in ambient light. Best with short throw lenses and blend applications. Requires lower light level in audience area. Excellent brightness uniformity.

**SPECIFICATIONS SUBJECT TO CHANGE WITHOUT NOTICE.**



VersaRoll Frame (see page 2 for frame and wall prep details)

PROJECT: \_\_\_\_\_

ARCHITECT: \_\_\_\_\_

CONTRACTOR: \_\_\_\_\_

SUPPLIER: \_\_\_\_\_

DATE: \_\_\_\_\_ REVISED: \_\_\_\_\_



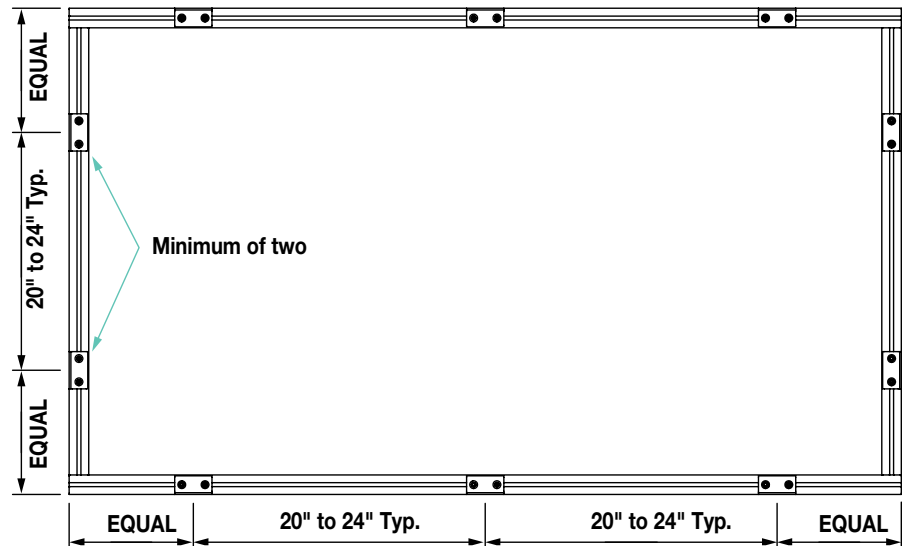
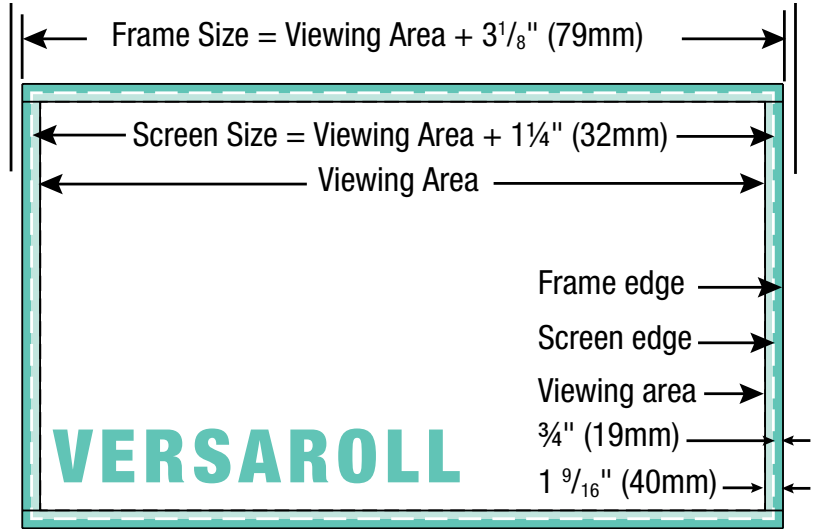
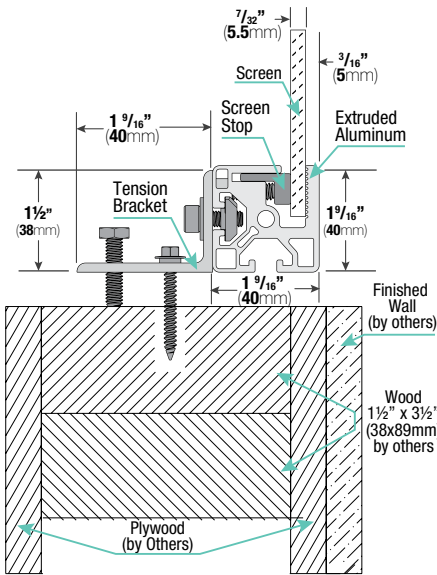
### Preparatory Hole Opening Work

If the VersaRoll will be installed flat into the opening (no curve), you must reinforce the hole opening as Draper supplies brackets that must be anchored into a strong perimeter support. These brackets help keep the screen flat and exert a pull force on the screen and on the hole opening supports. A typical 2" x 4" is not enough. Each bracket could exert 100 lbs. of pull per inch.

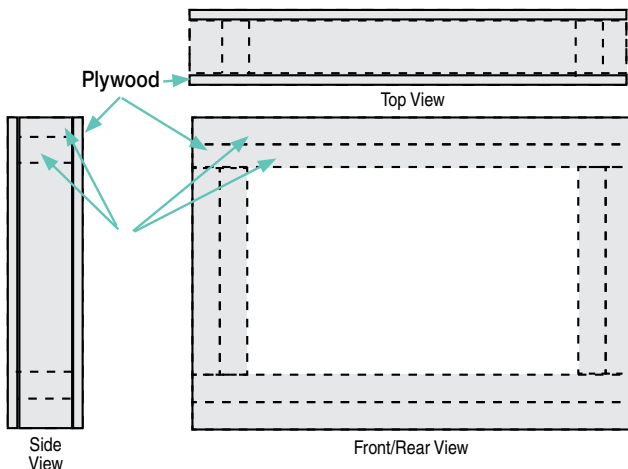
### Draper Recommendations

If not followed we cannot guarantee the flatness of the screen or that the Hole Opening Supports do not warp.

- Doubled up 2" x 4"s or 4" x 4" wood surrounding opening.
- 1/2" thick or thicker plywood on front (audience side and back projector room side) of 4" x 4"s at least 6" tall.



### VersaRoll - Wall Preparation



#### ⚠ Caution

1. Before installing your Cinescreen VersaRoll or IRUS VersaRoll screen, the wall must be properly reinforced. If the wall opening is not properly reinforced, damage may occur, and warranty will be invalidated.
2. Wall opening should be supported on all four sides by two 2" x 4"s or 4" x 4"s. Reinforce the 2" x 4"s or 4" x 4"s using minimum 1/2" plywood.