

# Curved Projection Screen

Planning sheet submission required with your order or request for quotation. Please mark appropriate response to each item.

**1. What is the application for this screen?**

- Home Theatre/Residential
- Commercial/Pro AV

**2. Screen Model**

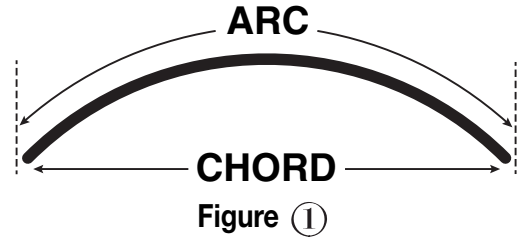
- Shadowbox Clarion
- Edgeless Clarion
- Lace & Grommet
- Other \_\_\_\_\_

**3. What type of lens will be used?**

- Anamorphic/Horizontal Expansion Lens?
- Standard Throw?

**4. What is the Lens Throw Ratio?** \_\_\_\_\_

If Throw Ratio is 1:1 or below, curved screen is recommended.  
 If Throw Ratio is less than 1.6, curved screen is recommended.  
 If Throw Ratio is between 1.6 and 1.9, curved screen is optional.  
 If Throw Ratio is 2.0 or greater, curved screen is not recommended.  
 What are the listed lumens of the projector? \_\_\_\_\_



**5. How far is the projector lens from the screen (throw distance)?** \_\_\_\_\_

**6. What is the image size of the screen?**

Viewing Height \_\_\_\_\_ x Viewing Width \_\_\_\_\_  
 Does width follow arc of curve, or is width the chord of the curve (see Figure 1)? \_\_\_\_\_

**7. What is the Radius of the curve?**

- Customer Specified = \_\_\_\_\_
- Draper Recommended = \_\_\_\_\_ (see Figure 2)  
Minimum = 80 ft. radius  
Standard = 40 ft. radius  
Maximum = 27 ft. radius. Shadowbox and Edgeless Clarion allow smaller radii.

**8. \*How will the screen be mounted?**

- Wall Mount
- Floor Mount
- \*\* Flown/Ceiling Mount
- \*\*Optional Corner Reinforcement Kit

*\*Note-Draper wall mounting brackets may not be available for radius smaller than 27'*  
*\*\* A Corner Reinforcement kit is required for wall mounted screens 120" or greater VA (H or V) and for all for flown screens.*

**9. Select Viewing Surface**

- Matt White XT1000V
- Pure White XT1300V
- Chroma Key Green
- Grey XH600V
- ClearSound NanoPerf XT1000V
- Other \_\_\_\_\_

**TecVision**

- XH700X Grey
- MS1000X ALR
- XT1000X White
- XT1600X White
- XH900X ALR NanoPerf
- XT1300X ALR NanoPerf
- CS1000X ALR NanoPerf
- XH800X UST ALR
- CS1000X ALR
- XT1100X White
- XT1800X White
- MS1000X ALR NanoPerf
- XT1600X ALR NanoPerf
- CS1200X ALR NanoPerf
- XH900X ALR
- CS1200X ALR
- XT1300X White
- XH700X Grey NanoPerf
- XT1000X White NanoPerf
- XT1800X White NanoPerf

**Curve Radius—Maximum and Minimum**

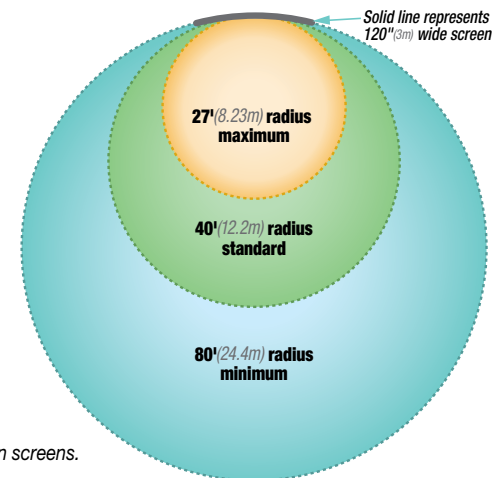


Figure ②

**\*See page 2 for dimensions**

**Onyx**

Nom. Diag.	Image Area	Overall Size	Curve Radius	Outer Kit	Placement
<b>16:9 HDTV Format</b>					
65"	31¾" x 56½"	39¾" x 64½"	40'	C501.324	27¼"
73"	36" x 64"	44" x 72"	40'	C501.324	31"
82"	40½" x 72"	48½" x 80"	40'	C501.324	35"
92"	45" x 80"	53" x 88"	40'	C501.325	39"
100"	49" x 87"	57" x 95"	40'	C501.325	42½"
106"	52" x 92"	60" x 100"	40'	C501.325	45"
110"	54" x 96"	62" x 104"	40'	C501.325	47"
119"	58" x 104"	66" x 112"	40'	C501.325	47½"
133"	65" x 116"	73" x 124"	40'	C501.325	47½"
161"	80" x 140"	88" x 148"	40'	C501.326	69"
193"	95" x 169"	103" x 177"	40'	C501.326	83½"
220"	108" x 192"	116" x 200"	40'	C501.326	87½"
<b>4:3 NTSC Video Format</b>					
6"	43" x 57"	51" x 65"	40'	C501.324	27½"
6' 6"	47" x 63"	55" x 71"	40'	C501.324	30½"
7'	50" x 67"	58" x 75"	40'	C501.324	32½"
7' 6"	54" x 72"	62" x 80"	40'	C501.324	35"
100"	60" x 80"	68" x 88"	40'	C501.325	39"
10"	72" x 96"	80" x 104"	40'	C501.325	47"
150"	90" x 120"	98" x 128"	40'	C501.325	47½"
15'	108" x 144"	116" x 152"	40'	C501.326	71"
<b>16:10 Format</b>					
67"	35¼" x 56½"	43¼" x 64½"	40'	C501.324	27¼"
76"	40" x 64"	48" x 72"	40'	C501.324	31"
85"	45" x 72"	53" x 80"	40'	C501.324	35"
94"	50" x 80"	58" x 88"	40'	C501.325	39"
109"	57½" x 92"	65½" x 100"	40'	C501.325	45"
113"	60" x 96"	68" x 104"	40'	C501.325	47"
123"	65" x 104"	73" x 112"	40'	C501.325	47½"
137"	72½" x 116"	80½" x 124"	40'	C501.325	47½"
165"	87½" x 140"	95½" x 148"	40'	C501.326	69"
<b>2.35:1 CinemaScope Format</b>					
115"	45" x 105¾"	53" x 113¾"	40'	C501.325	47½"
132"	52" x 122"	60" x 130"	40'	C501.325	47½"
148"	58" x 136¼"	66" x 144¼"	40'	C501.326	67⅞"
153"	60" x 141"	68" x 149"	40'	C501.326	70"
166"	65" x 152¾"	73" x 160¾"	40'	C501.326	79⅞"
204"	80" x 188"	88" x 196"	40'	C501.326	87½"

WALL TO EXT	KIT REQUIRED
< 1.125"	None
1.125" - 1.875"	C501.324
1.875" - 4.560"	C501.325
>4.560"	C501.326

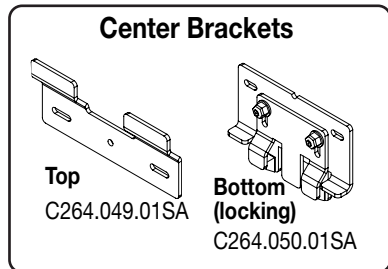
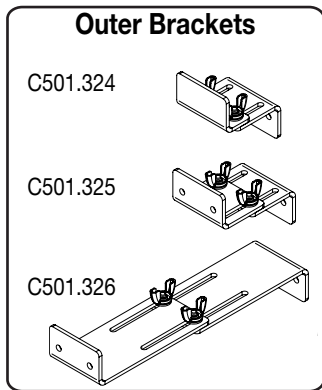
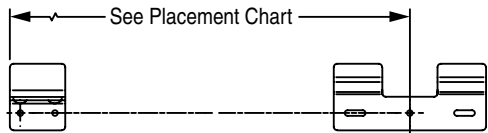
**Clarion**

Nom. Diag.	Image Area	Overall Size	Curve Radius	Outer Kit	Placement
<b>16:9 HDTV Format</b>					
65"	31¾" x 56½"	35¾" x 60½"	40'	C501.321	27¼"
73"	36" x 64"	40" x 68"	40'	C501.321	31"
82"	40½" x 72"	44½" x 76"	40'	C501.322	35"
92"	45" x 80"	49" x 84"	40'	C501.322	39"
100"	49" x 87"	53" x 91"	40'	C501.322	42½"
106"	52" x 92"	56" x 96"	40'	C501.322	44"
110"	54" x 96"	58" x 100"	40'	C501.322	44"
119"	58" x 104"	62" x 108"	40'	C501.322	44"
133"	65" x 116"	69" x 120"	40'	C501.323	57"
161"	80" x 140"	84" x 144"	40'	C501.323	69"
<b>4:3 NTSC Video Format</b>					
6'	43" x 57"	47" x 61"	40'	C501.321	27½"
6' 6"	47" x 63"	51" x 67"	40'	C501.321	30½"
7'	50" x 67"	54" x 71"	40'	C501.321	32½"
7' 6"	54" x 72"	58" x 76"	40'	C501.322	35"
100"	60" x 80"	64" x 84"	40'	C501.322	39"
10"	72" x 96"	76" x 100"	40'	C501.322	44"
150"	90" x 120"	94" x 124"	40'	C501.323	59"
15'	108" x 144"	112" x 148"	40'	C501.323	71"
<b>16:10 Format</b>					
67"	35¼" x 56½"	39¼" x 60½"	40'	C501.321	27¼"
76"	40" x 64"	44" x 68"	40'	C501.321	31"
85"	45" x 72"	49" x 76"	40'	C501.322	35"
94"	50" x 80"	54" x 84"	40'	C501.322	39"
109"	57½" x 92"	61½" x 96"	40'	C501.322	44"
123"	65" x 104"	69" x 108"	40'	C501.322	44"
137"	72½" x 116"	76½" x 120"	40'	C501.323	57"
165"	87½" x 140"	91½" x 144"	40'	C501.323	69"
<b>2.35:1 CinemaScope Format</b>					
115"	45" x 105¾"	49" x 109¾"	40'	C501.322	44"
132"	52" x 122"	56" x 126"	40'	C501.323	60"
148"	58" x 136¼"	62" x 140¼"	40'	C501.323	67⅞"

WALL TO EXT	KIT REQUIRED
< 1.125"	None
1.125" - 1.625"	C501.321
1.625" - 3.375"	C501.322
>3.375"	C501.323

**Clarion Mounting Brackets**

**Onyx Mounting Brackets**



**Clarion Mounting Brackets**

