

Curved Projection Screen - Planning Sheet

Planning sheet submission required with your order or request for quotation.
Please mark appropriate response to each item.



① **What is the application for this screen?**

- Home Theatre/Residential
- Commercial/Pro AV

② **Screen Model**

- Clarion
- Shadowbox Clarion
- Onyx
- Edgeless Clarion
- Lace & Grommet
- Other _____

③ **What type of lens will be used?**

- Anamorphic/Horizontal Expansion Lens?
- Standard Throw?

④ **What is the Lens Throw Ratio?** _____

If Throw Ratio is 1:1 or below, curved screen is recommended.
If Throw Ratio is less than 1.6, curved screen is recommended.
If Throw Ratio is between 1.6 and 1.9, curved screen is optional.
If Throw Ratio is 2.0 or greater, curved screen is not recommended.
What are the listed lumens of the projector? _____

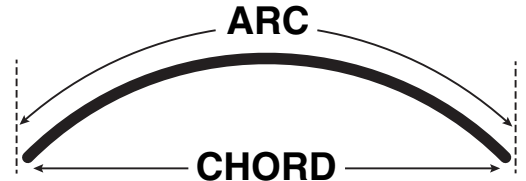


Figure ①

⑤ **How far is the projector lens from the screen (throw distance)?** _____

⑥ **What is the image size of the screen?**

Viewing Height _____ x Viewing Width _____
Does width follow arc of curve, or is width the chord of the curve (see Figure 1)? _____

⑦ **What is the Radius of the curve?**

- Customer Specified = _____
- Draper Recommended = _____ (see Figure 2)
 - Standard = 40 ft. radius
 - Minimum 80 ft. radius
 - Maximum 27 ft. radius (Onyx and Clarion) Shadowbox and Edgeless Clarion allow smaller radii.

Curve Radius—Maximum and Minimum

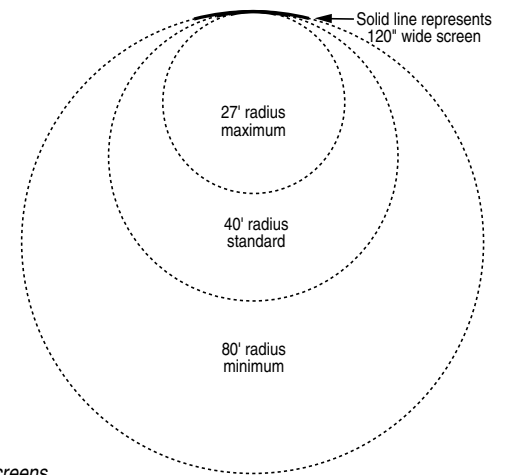


Figure ②

⑧ ***How will the screen be mounted?**

- Wall Mount
- Floor Mount (by others)
- ** Flown/Ceiling Mount (by others)
- **Optional Corner Reinforcement Kit

**Note—Draper wall mounting brackets may not be available for radius smaller than 27' for Onyx and Clarion
** A Corner Reinforcement kit is required for wall mounted screens 120" or greater VA (H or V) and for all for flown screens.*

⑨ **Select Viewing Surface**

- Matt White XT1000V
- Pearl White MH1500V
- Grey XH600V
- Pure White XT1300V
- ClearSound _____
- Rear Projection _____
- Other _____

TecVision

- XH900X Grey
- MS1000X Grey
- XT1300X White
- XT1600X White
- XT1800X White
- XT1000X White

**See page 2 for dimensions*

PROJECT: _____
ARCHITECT: _____
CONTRACTOR: _____
SUPPLIER: _____
DATE: _____ REVISED: _____



Onyx

Nom. Diag.	Image Area	Overall Size	Curve Radius	Outer Kit	Placement
16:9 HDTV Format					
65"	31¾" x 56½"	39¾" x 64½"	40'	C501.324	27¼"
73"	36" x 64"	44" x 72"	40'	C501.324	31"
82"	40½" x 72"	48½" x 80"	40'	C501.324	35"
92"	45" x 80"	53" x 88"	40'	C501.325	39"
100"	49" x 87"	57" x 95"	40'	C501.325	42½"
106"	52" x 92"	60" x 100"	40'	C501.325	45"
110"	54" x 96"	62" x 104"	40'	C501.325	47"
119"	58" x 104"	66" x 112"	40'	C501.325	47½"
133"	65" x 116"	73" x 124"	40'	C501.325	47½"
161"	80" x 140"	88" x 148"	40'	C501.326	69"
193"	95" x 169"	103" x 177"	40'	C501.326	83½"
220"	108" x 192"	116" x 200"	40'	C501.326	87½"
4:3 NTSC Video Format					
6"	43" x 57"	51" x 65"	40'	C501.324	27½"
6' 6"	47" x 63"	55" x 71"	40'	C501.324	30½"
7"	50" x 67"	58" x 75"	40'	C501.324	32½"
7' 6"	54" x 72"	62" x 80"	40'	C501.324	35"
100"	60" x 80"	68" x 88"	40'	C501.325	39"
10'	72" x 96"	80" x 104"	40'	C501.325	47"
150"	90" x 120"	98" x 128"	40'	C501.325	47½"
15'	108" x 144"	116" x 152"	40'	C501.326	71"
16:10 Format					
67"	35¼" x 56½"	43¼" x 64½"	40'	C501.324	27¼"
76"	40" x 64"	48" x 72"	40'	C501.324	31"
85"	45" x 72"	53" x 80"	40'	C501.324	35"
94"	50" x 80"	58" x 88"	40'	C501.325	39"
109"	57½" x 92"	65½" x 100"	40'	C501.325	45"
113"	60" x 96"	68" x 104"	40'	C501.325	47"
123"	65" x 104"	73" x 112"	40'	C501.325	47½"
137"	72½" x 116"	80½" x 124"	40'	C501.325	47½"
165"	87½" x 140"	91½" x 144"	40'	C501.323	69"
2.35:1 CinemaScope Format					
115"	45" x 105¾"	53" x 113¾"	40'	C501.325	47½"
132"	52" x 122"	60" x 130"	40'	C501.325	47½"
148"	58" x 136¼"	66" x 144¼"	40'	C501.326	67⅞"
153"	60" x 141"	68" x 149"	40'	C501.326	70"
166"	65" x 152¾"	73" x 160¾"	40'	C501.326	79⅞"
204"	80" x 188"	88" x 196"	40'	C501.326	87½"

WALL TO EXT	KIT REQUIRED
< 1.125"	None
1.125" - 1.875"	C501.324
1.875" - 4.560"	C501.325
>4.560"	C501.326

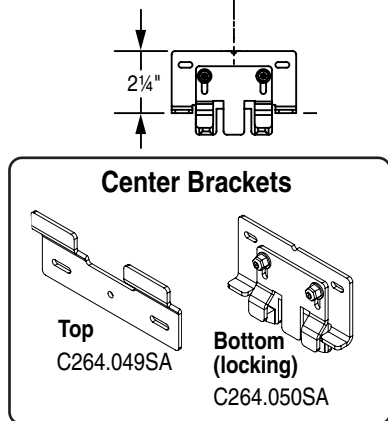
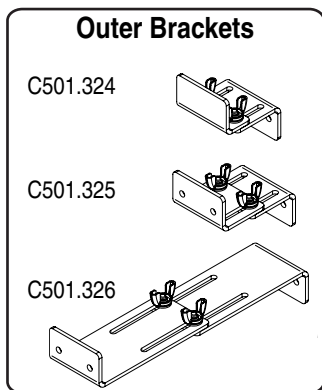
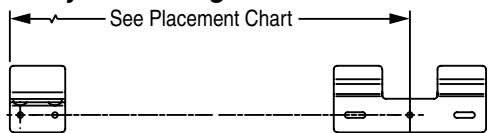
Clarion

Nom. Diag.	Image Area	Overall Size	Curve Radius	Outer Kit	Placement
16:9 HDTV Format					
65"	31¾" x 56½"	35¾" x 60½"	40'	C501.321	27¼"
73"	36" x 64"	40" x 68"	40'	C501.321	31"
82"	40½" x 72"	44½" x 76"	40'	C501.322	35"
92"	45" x 80"	49" x 84"	40'	C501.322	39"
100"	49" x 87"	53" x 91"	40'	C501.322	42½"
106"	52" x 92"	56" x 96"	40'	C501.322	44"
110"	54" x 96"	58" x 100"	40'	C501.322	44"
119"	58" x 104"	62" x 108"	40'	C501.322	44"
133"	65" x 116"	69" x 120"	40'	C501.323	57"
161"	80" x 140"	84" x 144"	40'	C501.323	69"
4:3 NTSC Video Format					
6"	43" x 57"	47" x 61"	40'	C501.321	27½"
6' 6"	47" x 63"	51" x 67"	40'	C501.321	30½"
7"	50" x 67"	54" x 71"	40'	C501.321	32½"
7' 6"	54" x 72"	58" x 76"	40'	C501.322	35"
100"	60" x 80"	64" x 84"	40'	C501.322	39"
10'	72" x 96"	76" x 100"	40'	C501.322	44"
150"	90" x 120"	94" x 124"	40'	C501.323	59"
15'	108" x 144"	112" x 148"	40'	C501.323	71"
16:10 Format					
67"	35¼" x 56½"	39¼" x 60½"	40'	C501.321	27¼"
76"	40" x 64"	44" x 68"	40'	C501.321	31"
85"	45" x 72"	49" x 76"	40'	C501.322	35"
94"	50" x 80"	54" x 84"	40'	C501.322	39"
109"	57½" x 92"	61½" x 96"	40'	C501.322	44"
123"	65" x 104"	69" x 108"	40'	C501.322	44"
137"	72½" x 116"	76½" x 120"	40'	C501.323	57"
165"	87½" x 140"	91½" x 144"	40'	C501.323	69"
2.35:1 CinemaScope Format					
115"	45" x 105¾"	49" x 109¾"	40'	C501.322	44"
132"	52" x 122"	56" x 126"	40'	C501.323	60"
148"	58" x 136¼"	62" x 140¼"	40'	C501.323	67⅞"

WALL TO EXT	KIT REQUIRED
< 1.125"	None
1.125" - 1.625"	C501.321
1.625" - 3.375"	C501.322
>3.375"	C501.323

Clarion Mounting Brackets

Onyx Mounting Brackets



Clarion Mounting Brackets

