

# Wall Brackets for Access XL & Patriot

## Section 1 - Wall Mounting Bracket Dimensions

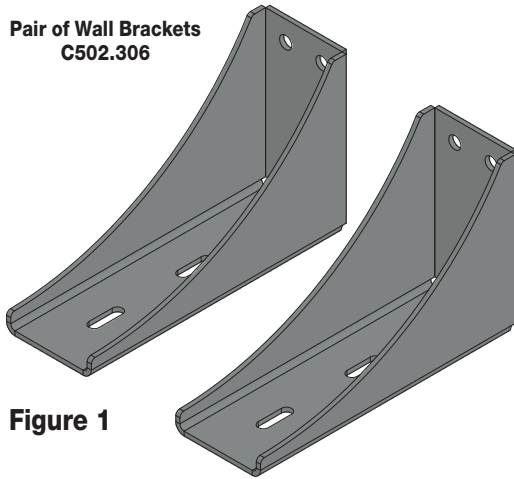
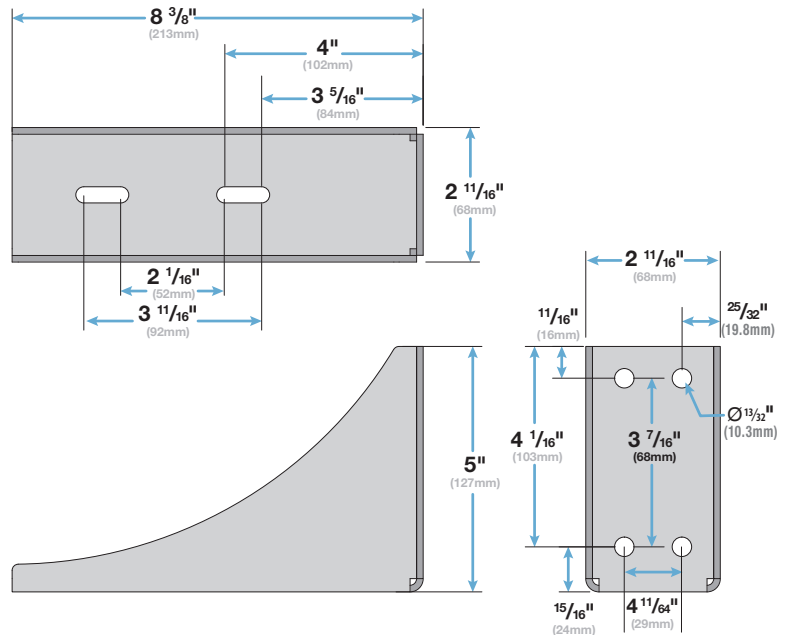


Figure 1

**Please Note:** Fasteners not included.  
Nuts and Bolts ship with housing.



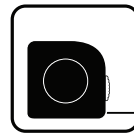
### TOOLS REQUIRED



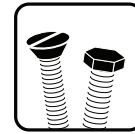
PENCIL



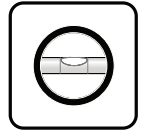
POWER DRILL



TAPE MEASURE



HARDWARE (by others)



LEVEL

### PLEASE READ - Safety Information

#### Important Safety Information



## WARNING

#### Important Safety Information

**Improper installation and use of Access XL / Patriot Wall brackets can result in serious injury or death. Primarily, injuries can occur if the unit falls due to imprecise installation, mishandling of the unit during installation, or installation on an insufficient wall or ceiling structure. Please use extreme care.**

- Please read the following installation guidelines thoroughly and follow them carefully. Failure to do so may cause product to fall or otherwise fail, and could result in serious injury.
- Installation and calibration of the unit should only be performed by an authorized, qualified, and experienced professional.
- Do not affix the unit to walls or ceilings that have inadequate strength to permanently hold the unit during use. It is the owner's and installer's responsibility to confirm the wall or ceiling to which the unit attaches is sufficient to permanently hold the weight and stress loads of the unit at all times. Draper, Inc., is not responsible for improper installation, application, testing, or workmanship related to the product at place of installation.
- It is the installer's responsibility to make sure appropriate fasteners are used for mounting.
- All hardware must be installed level. Unit must be level and square.
- Never leave the area while operating the unit during installation, maintenance, or normal operation, unless it is secure and safe.
- Before testing or operation, carefully inspect the entire area and path (*especially underneath*) of unit to be sure no persons or objects are in the area.
- During testing or operation, carefully watch the surrounding area for any potential safety concerns including nearby persons or objects.
- After installation, the entire system, including all sensors, should be carefully tested to ensure safe and normal operation. Extreme care should be taken during testing to remain clear of moving parts to avoid possible injury.
- Failure to precisely follow installation guidelines invalidates all warranties.**
- Custom products/installations may not be reflected in this manual. Call Draper, Inc., if you have questions about the installation of custom products or any questions about your installation.

If you have any difficulties installing or servicing your Access XL screen, call your dealer or Draper, Inc.

## Section 2 - Wall Installation of Access XL / Patriot Case

Wall Brackets should fasten to studding or other structural supports within wall that are capable of supporting weight of case (205 lbs).

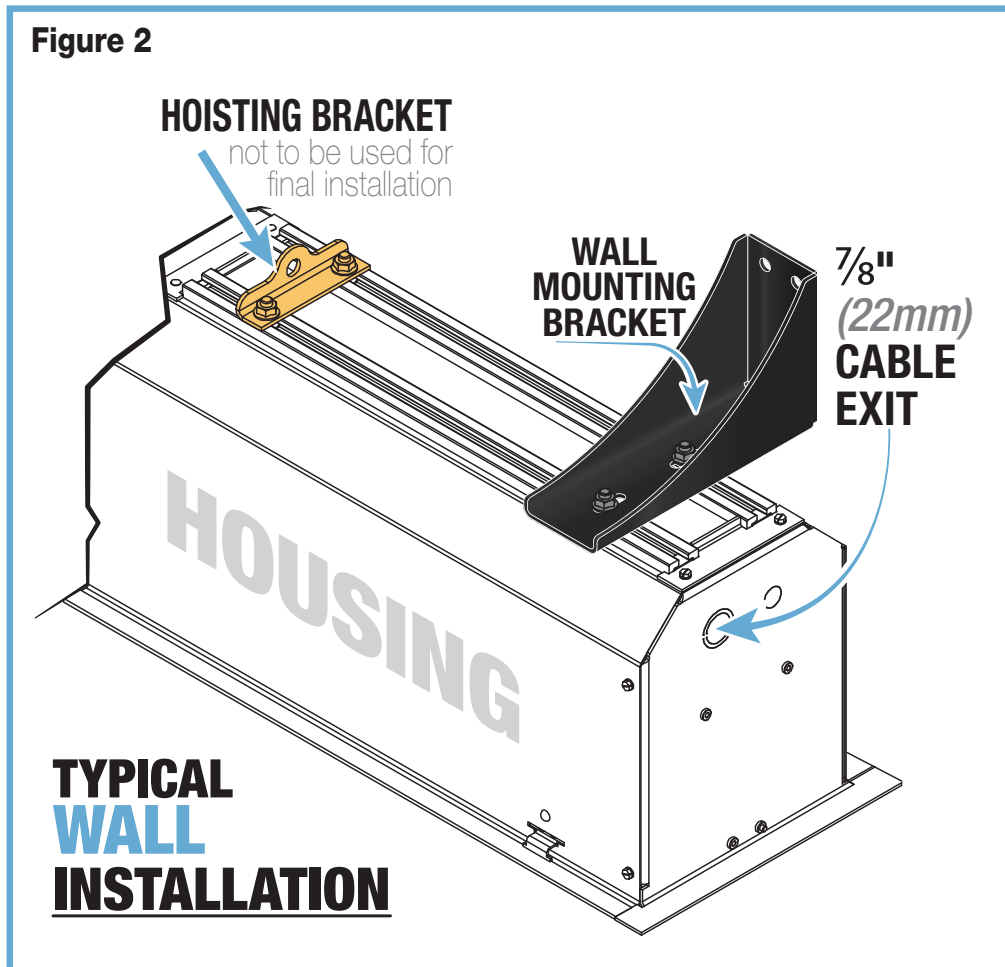
1. Remove each wall mounting bracket (attached to case) from top of housing (Fig. 2) replace with the wall mounting brackets, and tighten set screws.
2. Case should be sufficiently supported to withstand vibration.

**Please Note:** A hoisting bracket is included on each end of the case to aid in installation. Hoisting bracket is NOT TO BE USED for final installation, only to hoist the case up to the mounting location.

3. Ensure that fasteners are  $\frac{3}{8}$ " (21mm) in diameter, are of adequate strength and suitable for the mounting surface chosen.
4. Entire bottom of case must be readily accessible after installation is complete.
5. Front, back, and top of case must be straight—not forced to warp or bow.

**CAUTION:** Screen case and flange are not designed to serve as ceiling support.

6. Do not seal unit until electrical connections have been made and screen operates successfully.



**PLEASE NOTE:**

It is the installer's responsibility to make sure appropriate fasteners are used for mounting.