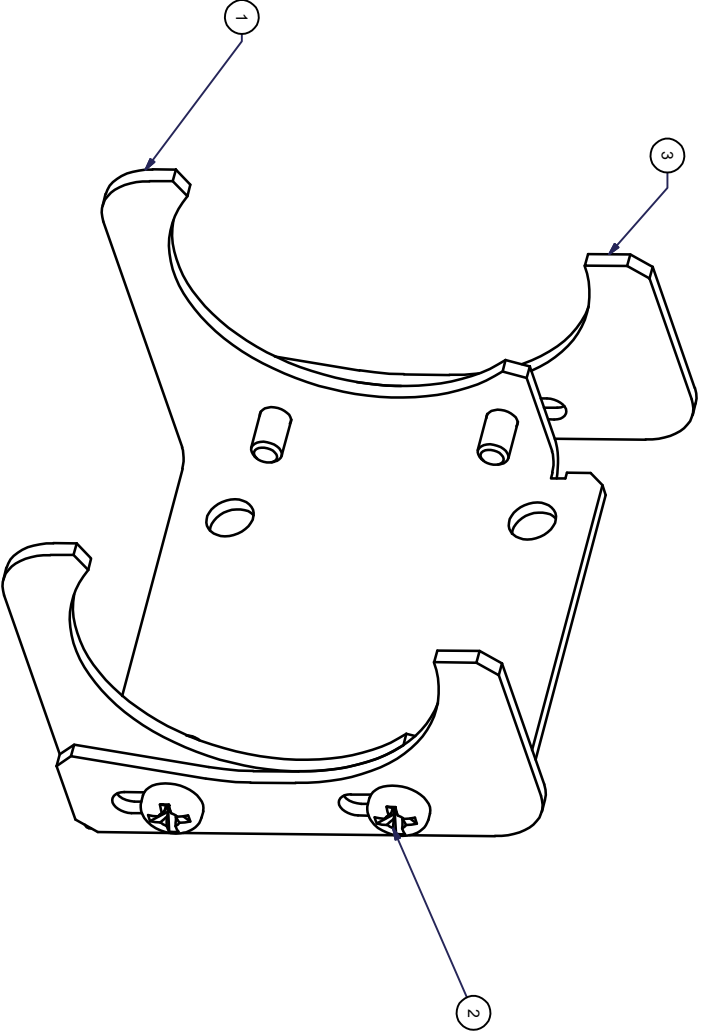


ITEM	QTY	PART NUMBER	DESCRIPTION
1	1	C002.987SA	BRACKET, WALL MOUNT BASE (3.0" LACE & GROMMET)
2	4	C020.187	SCREW, 1/4-20 X 5/8 PHILLIPS PAN HEAD BLACK MACHINE
3	2	C134.035SA	RETAINER, WALL BRACKET (3.0" LACE & GROMMET)



BRACKET COMPONENTS #2 & #3 MUST BE POWDER COATED LOW GLOSS BLACK

REV	DATE	ECO	BY	DESCRIPTION
B	3/6/2019	2588	BMH	SLOTTED RETAINER
				REVISION HISTORY

<p>DESIGNED BY: BHAMMI</p> <p>DRAWN BY: BHAMMI</p> <p>CHECKED BY:</p> <p>MFG APPD BY:</p> <p>ENG APPD BY:</p>	<p>3/6/2019</p> <p>9-30-2013</p> <p>3/6/2019</p> <p>3/6/2019</p> <p>3/6/2019</p>	<p>3/6/2019</p> <p>9-30-2013</p> <p>3/6/2019</p> <p>3/6/2019</p> <p>3/6/2019</p>
---	--	--

<p>TOLERANCES UNLESS NOTED</p> <p>2 P.L.C. DECIMAL: ±.01"</p> <p>3 P.L.C. DECIMAL: ±.005"</p> <p>ANGULAR: ±1°</p> <p>FRACTIONAL: ±.002"</p>	<p>PROPRIETARY DRAWING NOTICE: THIS DOCUMENT CONTAINS CONFIDENTIAL INFORMATION OF DRAPER, INC. IS THE PROPERTY OF DRAPER, INC. AND IS TO BE KEPT CONFIDENTIAL. ANY REPRODUCTION, DISTRIBUTION, OR DISSEMINATION OF THIS DOCUMENT WITHOUT WRITTEN AUTHORIZATION FROM DRAPER, INC.</p>	<p>PAPER SIZE: B</p> <p>SCALE:</p>	<p>FINISH:</p> <p>REV: SHEET: 1</p> <p>OF: 2</p>	<p>DRAPER, INC.</p> <p>411 S. PEAR STREET</p> <p>SPOCLAND, INDIANA 47386-0425</p> <p>www.draperinc.com</p>
---	--	------------------------------------	--	--

MATERIAL:	KIT, WALL BRACKET (L&G)
-----------	-------------------------

REV: SHEET: 1	DWG NO. - PART NO. C041.056
---------------	-----------------------------