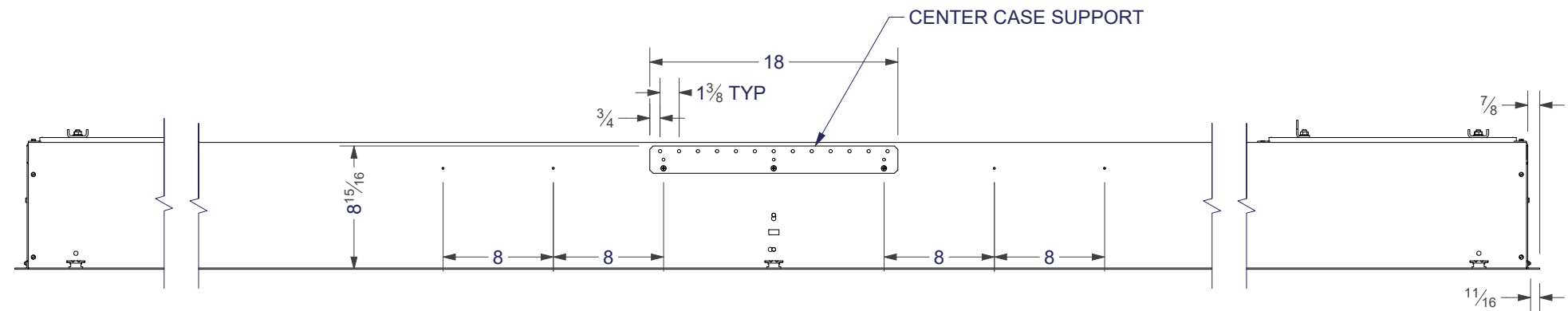
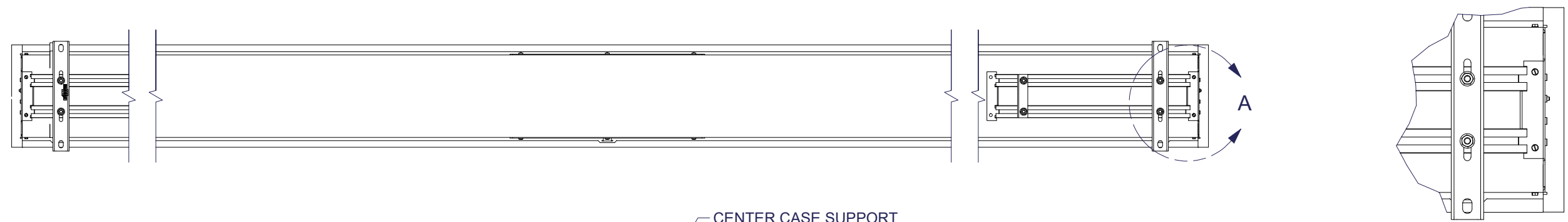
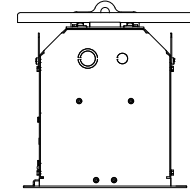


B

B

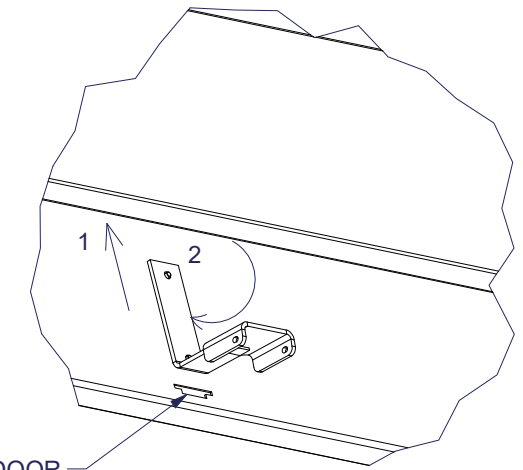
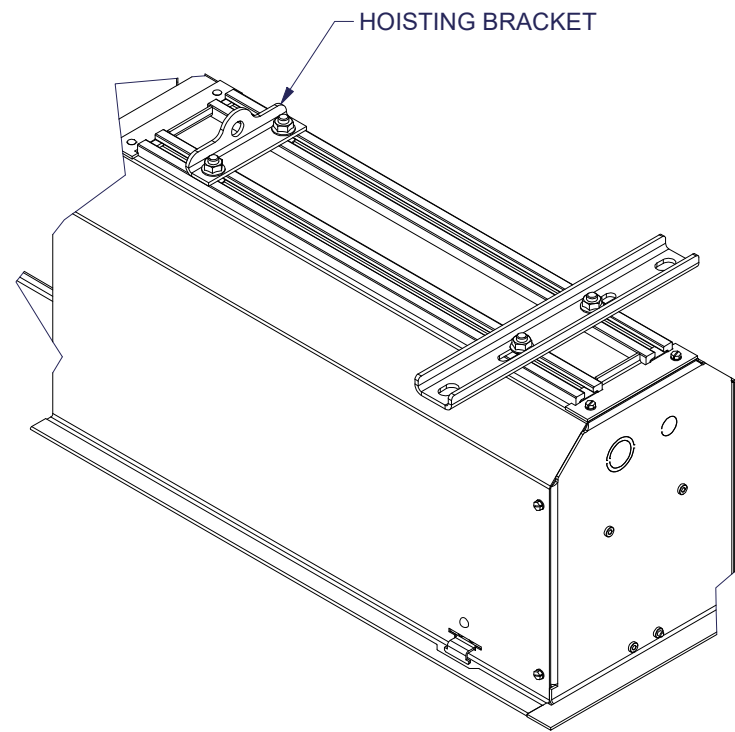
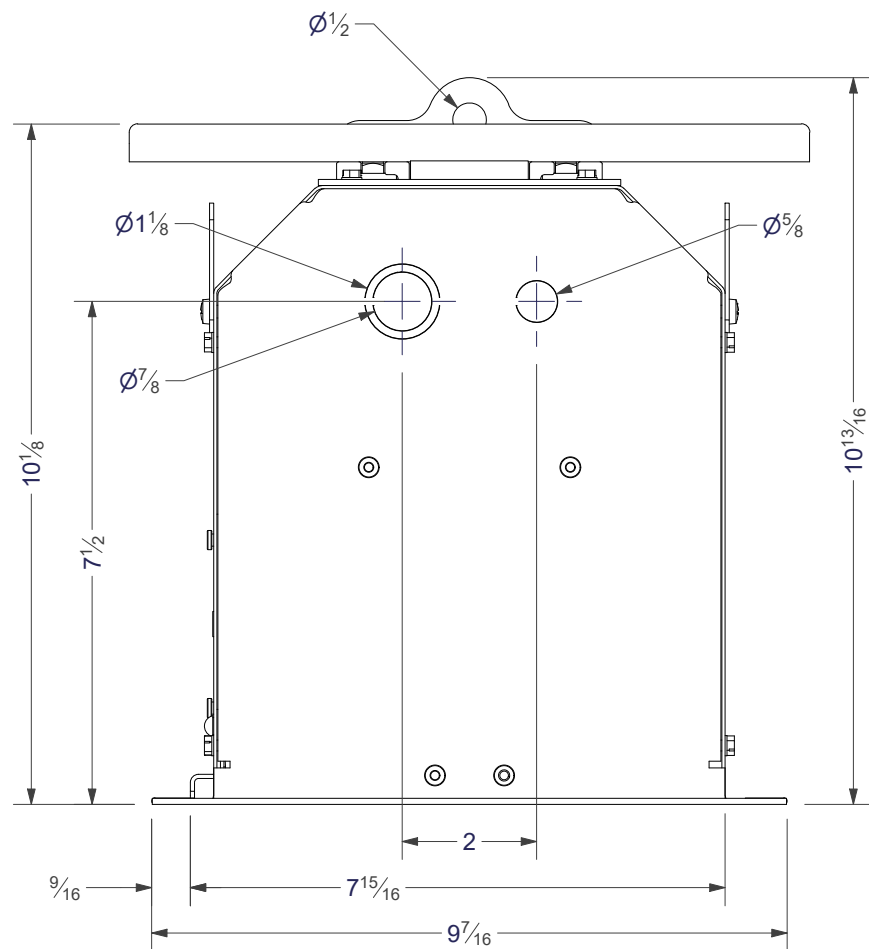


DETAIL A
SCALE 0.18 : 1




A

A



SLOT FOR ATTACHING DOOR

ATTACHING BRACKETS
STEP 1. Insert Pin in Top Slot and Push Up
STEP 2. Rotate Bracket CW to Lock Bracket In Place

<p>TOLERANCES UNLESS NOTED</p> <p>2 PLC. DECIMAL: ±.01" 3 PLC. DECIMAL: ±.005" ANGULAR: ±1° FRACTIONAL: ±1/32"</p>	DESIGNED BY: senochs	7/23/2013		DRAPER, INC. 411 S. PEARL STREET SPICELAND, INDIANA 47385-0425 www.draperinc.com
	DRAWN BY: senochs	12/5/2014		
	CHECKED BY:		TITLE:	ACCESS XL STEEL CASE DIMENSIONS
	MFG APPD BY:		MATERIAL:	
ENG APPD BY:		PAPER SIZE: B	FINISH:	
<p>PROPRIETARY DRAWING NOTICE: THIS DOCUMENT CONTAINS CONFIDENTIAL, PROPRIETARY INFORMATION OF DRAPER, INC., IS THE PROPERTY OF DRAPER, INC., AND MUST BE RETURNED UPON REQUEST. NEITHER RECEIPT NOR POSSESSION THEREOF CONFERS ANY RIGHT TO OWN, REPRODUCE, USE, OR DISCLOSE IN WHOLE OR IN PART, ANY SUCH INFORMATION WITHOUT WRITTEN AUTHORIZATION FROM DRAPER, INC.</p>	SCALE: NONE	REV: SHEET: 8 OF: 9	DWG NO. - PART NO.	