

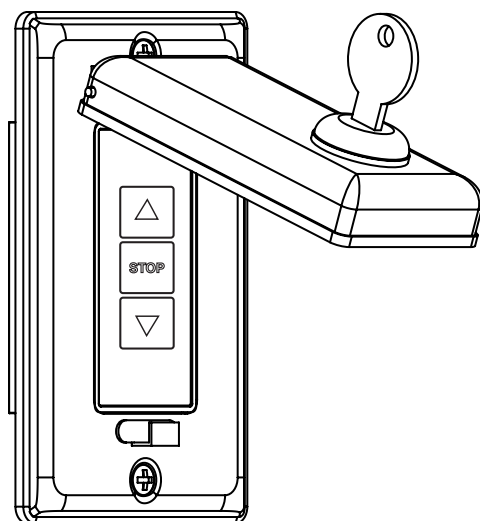
Technical Data Sheet

LVC-S with Locking Cover Plate—Low Voltage Control Switch By Draper

- USES:** Up, Down and Stop control of a low voltage controller via wall switch.
- COMPATIBILITY*:** The LVC-S with Locking Cover Plate can be used with built-in low voltage controllers. Other controls may be connected simultaneously:
- WRT/R radio frequency remote control package, and
 - IRT/R infrared remote control package.
 - LVC-S low voltage control switch.
 - Multiple LVC-Ss may be used to control one built-in Low Voltage Control.
 - Auxiliary control systems employing momentary “dry” contacts.
 - SP-KSM 3-position momentary key switch (beware: Stop won’t work).
- CONTACTS:** Three individual Single Pole, Single Throw contacts (On/Off). Momentary action. Latching contacts are part of the LVC-IV.
- RATING:** 10V 25mA
- DESCRIPTION:** The LVC-S with Locking Cover Plate is a 3-button (Up, Stop, Down) wall switch which controls a motor with a built-in low voltage controller. The buttons are square. The locking cover plate is metal, and provided with a lock and key. It fits a single-gang box. Installer supplied wire leads (18-24 Guage). There are screw terminals on the back for Down, Common, and Up.
- PART NUMBER:** 121232

****Please Note: when using the LVC-S with Locking Cover Plate to control an ILT or ILT Quiet Motor, you must adjust limits with the switch provided with the screen. Once the limits are adjusted using the standard switch, you may disconnect that switch and connect the LVC-S with Locking Cover Plate.***

ILLUSTRATION:



DRAPER

411 S. Pearl St., Spiceland, IN 47385 USA ■ 765-987-7999
www.draperinc.com ■ fax 765-987-7142

