

Technical Data Sheet

KS-3—Three Position Key Switch By Draper

USES:

The KS-3 replaces the standard single-station control switch for all products (screens, shades or projector lifts) where the directional functions (Up and Down) need to be combined with the security of a key switch.

It is not intended for use with any other control.

COMPATIBILITY:

KS-1 Power Supply Key Switch.

The KS-3 is intended as the sole control station, and cannot be used as a multiple station control. It can, however, be used with the KS-1 power supply key switch, although having two key switches is redundant.

It is not intended for use with any other control.

CONTACTS:

Two cam-operated Single-Pole, Single-Throw contact blocks (On-Off), wired to emulate Single-Pole, Double-Throw, Center Off (On-Off-On). Maintained action.

RATING:

600 Volts, UL recognized, CSA recognized.

DESCRIPTION:

3-position key operator.

Cover plate is stainless steel.

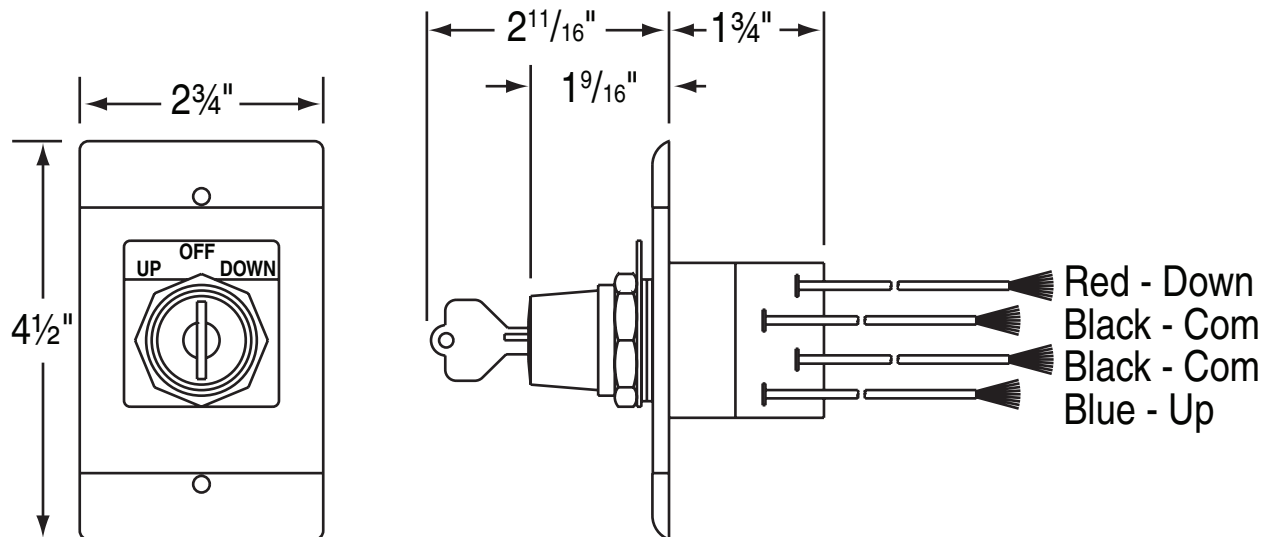
Four 6" wire leads: black, black, red and blue (2 commons, down and up).

2 $\frac{3}{4}$ " x 4 $\frac{1}{2}$ " cover plate fits a single-gang box.

PART NUMBER:

121018

ILLUSTRATION:



DRAPER®

411 S. Pearl St., Spiceland, IN 47385 USA ■ 765-987-7999
www.draperinc.com ■ fax 765-987-7142

Copyright ©2010 Draper Inc. Form KS-3_TechDataSheet10-R Printer in U.S.A.