

Silhouette V

Electric projection screen with revolutionary case design

SUBMITTAL TECHNICAL INFORMATION

Specifications *Please check all appropriate selections and attach room schedule with verified dimensions.*

Projection screens, size _____ h. x _____ w., wall or ceiling mounting, by Draper, Inc., Spiceland, Indiana. Case free of exposed fasteners. Back and top of extruded aluminum in L-shaped section; front in a contoured shape. Endcaps die-cast, of rounded design, flush with case contour. Front section easily removable for access to motor and viewing surface. Viewing surface with black masking borders. Each side of surface to have tab-guide cable system for even lateral tension and flat surface. Viewing surface flame and mildew resistant. Matt White XT1000V and Grey XH600V viewing surfaces are certified to GREENGUARD standards for low chemical emissions into indoor air during product usage.

Bottom of surface supported and masked by black extruded aluminum dowel weighted to apply proper vertical tension. Bottom of viewing surface enclosed in dowel; dowel to disappear inside case when retracted. Top of surface masked by 12" black drop.

Select Case Color:

- White (standard)
- Black (optional)



Select Viewing Surface:

- Matt White XT1000V (1.0 gain): GREENGUARD Gold certified
- Grey XH600V (0.6 gain) (Thru 9' x 12'): GREENGUARD Gold cert
- Pure White XT1300V (1.3 gain): Optional
- Rear Projection Surface: Optional _____
- Other _____

Select Mounting Method:

- Wall ("Z" Clips supplied)
- Ceiling (Ceiling bracket supplied)
- Extended Wall Brackets (Must be specified now and at time of order)
 - 6" brackets
 - 10"-14" brackets

Select Motors and Controls:

Standard Voltage Motor and Control Options:

- 110-120V AC (standard)
- Optional Quiet Motor¹

Please Note: These motors come with one 110V-120V AC 3-position wall switch (silver wall plate with black rocker).

- _____ Total number of 110-120V AC switches (operate independently)
- Substitute white switch(es) for silver wall plate with black rocker
- Optional Key Operated Switch
 - Power Supply Key Switch (On-off)
 - 3-Position Key Control
 - 3-Position Switch with Hinged Key-Locking Coverplate

Low Voltage Motor and Control Options:

- Internal LVC-IV (will increase case length by 7 7/8")
- External LVC-IV
- Motor with Built-in Low Voltage Control
- Quiet Motor with Built-in Low Voltage Control²

Please Note: Select Control Options for Low Voltage from below.

- 24 Volt 3-Button Switch Number of 24V switches: _____
- Radio Frequency Remote Control (only with 24v)
- Infrared Remote Control (only with 24v)
- Optional Key Operated Switch
 - Power Supply Key Switch (On-off)
 - 3-Position Switch with Hinged Key-Locking Coverplate

Optional Accessories

- Additional Drop _____ (Beyond standard 12")³
- Total Drop _____ (Standard 12" + Additional drop)
 - Black (standard)
 - Same color as viewing surface (extra drop increases length of case)

Electrically operated 60 Hz., 110-120V AC, 3-wire motor mounted inside screen roller, 1.1 amp draw, instantly reversible, lifetime lubricated, with internal thermal overload protector and electric brake, with preset limits. Roller of 2" dia. metal. 3-position control switch to stop or reverse screen at any point. Switch(es) furnished with cover plate. Entire unit certified by Underwriters' Laboratories, Inc., for the U.S. and Canada.

For more information, visit ul.com/gg.

Entire unit certified by Underwriters' Laboratories, Inc. for the U.S. and Canada. Plenum rated case (UL approved "Suitable for Use in Environmental Air Space").

PATENT INFORMATION: available at www.draperinc.com/legal/patents

DOWNLOADABLE 3-PART SPECIFICATIONS: available at www.draperinc.com.

Please note: Dimensions of rollers, operators and hardware at manufacturer's discretion.

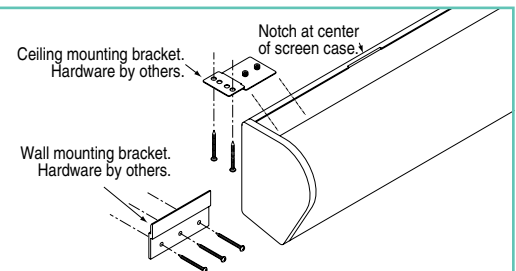
Dimensions & Data

Size H x W	Case Length ¹	Dowel Length ¹	Net Wt. (lbs.)	Qty.
AV Format				
50" x 50"	72 3/4"	60 7/8"	33	
60" x 60"	83 3/4"	71 7/8"	35	
70" x 70"	93 3/4"	82 7/8"	40	
84" x 84"	109"	96 7/8"	46	
72" x 96"	119 3/4"	108 7/8"	54	
96" x 96"	122 1/2"	110 3/8"	59	
Nom. Diag.	Image Area	Case Length ¹	Dowel Length ¹	Net Wt. (lbs.)
NTSC Video Format (4:3)				
6'	42 1/2" x 56 1/2"	79 1/4"	67 3/8"	39
7'	50" x 66 1/2"	89 1/4"	77 3/8"	43
100"	60" x 80"	103 3/4"	91 7/8"	47
10'	72" x 96"	119 3/4"	108 3/4"	54
HDTV Format (16:9)				
65"	31 3/4" x 56 1/2"	77 1/4"	66 1/4"	37
73"	36" x 64"	84 3/4"	73 3/4"	41
82"	40 1/2" x 72"	93 3/4"	82 3/4"	45
92"	45" x 80"	102 3/4"	90 7/8"	50
100"	49" x 87"	49" x 87"	97 7/8"	54
106"	52" x 92"	114 3/4"	102 7/8"	54
110"	54" x 96"	118 5/8"	107 3/4"	54
16:10 Format				
67"	35 1/4" x 56 1/2"	77 1/4"	66 1/4"	39
76"	40" x 64"	85 3/4"	73 3/4"	42
85"	45" x 72"	93 3/4"	82 3/4"	47
94"	50" x 80"	101 3/4"	90 7/8"	50
109"	57 1/2" x 92"	114 3/4"	103 7/8"	54
113"	60" x 96"	118 5/8"	107 3/4"	54
Custom Size				

² Extra Drop may increase case and dowel length.

Also available in 1.85:1, 2.35:1 and 15:9 Formats. Contact Draper.

Methods of Installation



Draper, Inc. | 411 S. Pearl St. Spiceland, IN 47385
draperinc.com | 765.987.7999 | 800.238.7999

© 2018 All Rights Reserved | FORM: SilhouetteV_Sub18

PROJECT: _____

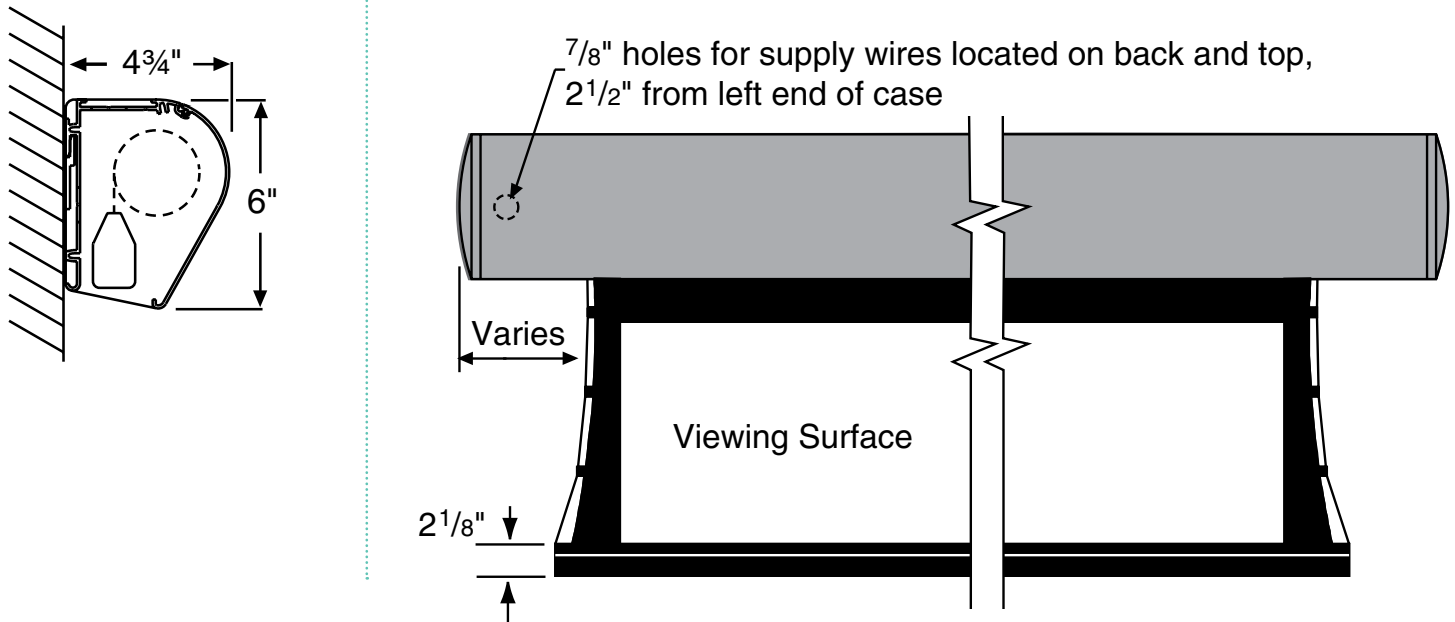
ARCHITECT: _____

CONTRACTOR: _____

SUPPLIER: _____

DATE: _____ REVISED: _____

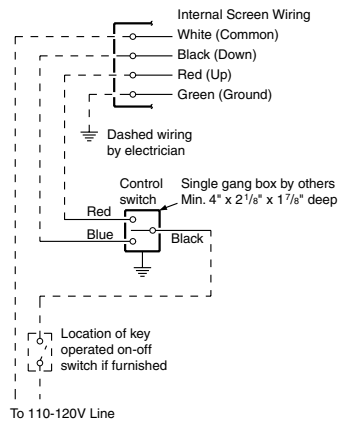
Case Dimensions



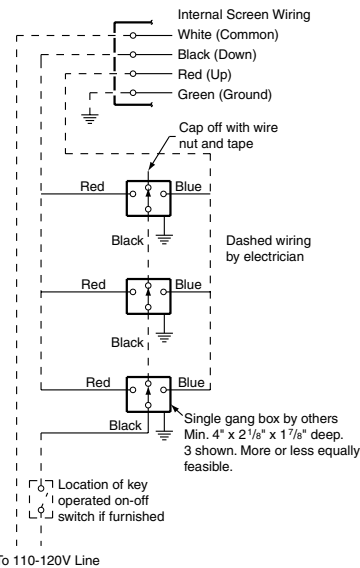
Wiring Diagrams*

110-120V Motor and Quiet Motor

Single Station Control

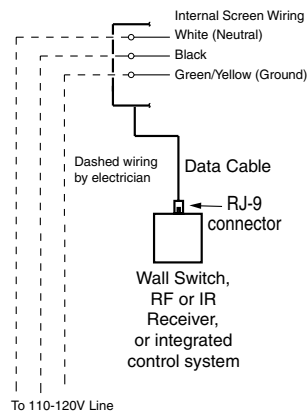


Multiple Station Control

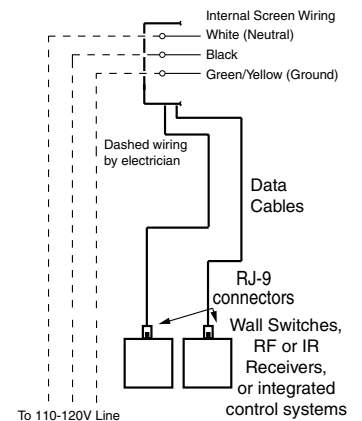


110-120V Motor and Quiet Motor with Built-in Low Voltage Controller

Single Low Voltage Control



Multiple Low Voltage Controls



* For more information and wiring diagrams for serial and network communication, please see wiring diagrams supplied with individual items.

Please Note: For low voltage (LVC-IV not built-in), serial (LVC-IV) and network (LVC-IV & LS101) wiring diagrams, please consult instructions for those modules.

PROJECT: _____

SUPPLIER: _____

DATE: _____ REVISED: _____