

Silhouette/Series M

Specifications—Silhouette/Series M

_____ projection screens, size _____ h. x _____ w., wall or ceiling mounting. Case

free of exposed fasteners. Back and top of extruded aluminum in L-shaped section; front in a contoured shape. Endcaps die-cast, of rounded design, flush with case contour. Front section easily removable for access to operator and viewing surface. Viewing surface mounted to one-piece rigid steel roller. Viewing surface flame and mildew resistant. Bottom of viewing surface enclosed in dowel; dowel to disappear inside case when retracted.

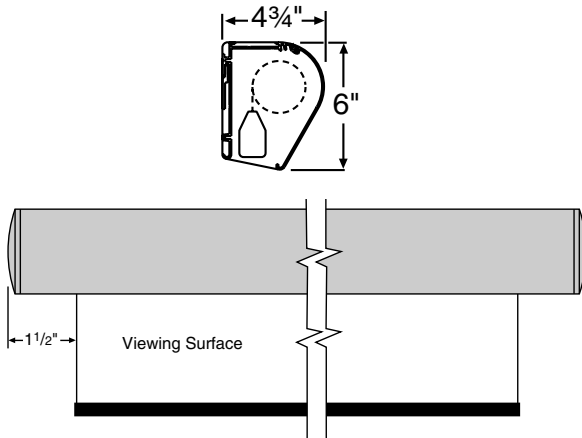
Matt White XT1000E and Contrast Grey XH800E viewing surfaces are certified to GREENGUARD standards for low chemical emissions into indoor air during product usage. For more information, visit ul.com/gg.

Note: All viewing surfaces will be seamless.

Entire unit patented by Draper, Inc. (U.S. Patent Nos. 6,111,694 and 5,296,964)

Downloadable 3-part specifications are available at www.draperinc.com. Specifications subject to change without notice.

Case Dimensions



Manual projection screen with revolutionary case design

by DRAPER

Dimensions & Data

Size H x W	Case Length	Net Wt. (lbs.)	Qty.		
AV Format					
50" x 50"	52½"	18			
60" x 60"	62½"	21			
70" x 70"	72½"	25			
84" x 84"	86½"	28			
72" x 96"	99"	29			
96" x 96"	99"	33			
Nom. Diag.	Image Area	Overall Size	Case Length	Net Wt. (lbs.)	Qty.
NTSC Video Format (4:3)					
6'	42½" x 56½"	46½" x 59½"	62½"	20	
7'	50" x 66½"	53½" x 69½"	72½"	24	
100"	60" x 80"	64" x 83½"	86½"	25	
10'	69" x 92"	73" x 96"	99"	29	
HDTV Format (16:9)					
65" ¹	31¾" x 56½"	43¾" x 59½"	62½"	19	
73" ¹	36" x 64"	48" x 69½"	72½"	23	
82" ¹	40½" x 72"	52½" x 74"	77"	24	
92" ¹	45" x 80"	57" x 83½"	86½"	25	
100" ¹	49" x 87"	61" x 91"	94"	29	
106" ¹	52" x 92"	64" x 96"	99"	29	
16:10 Format					
67" ¹	35¼" x 56½"	47¼" x 59½"	62½"	19	
76" ¹	40" x 64"	52" x 69½"	72½"	23	
85" ¹	45" x 72"	57" x 74"	77"	24	
94" ¹	50" x 80"	62" x 83½"	86½"	25	
109" ¹	57½" x 92"	69½" x 96"	99"	29	
Custom Size					

¹These sizes include 12" black drop as standard.

Also available in 1.85:1, 2.35:1 and 15:9 Formats. Contact Draper.

Please Mark Appropriate Selections

Select Viewing Surface:

- Matt White XT1000E (1.0 gain): GREENGUARD Gold certified
- Glass Beaded CH3200E (3.2 gain): Optional
- Argent White XH1500E (1.5 gain): Optional
- Contrast Grey XH800E (0.8 gain) (Optional): GREENGUARD Gold certified
- Other: _____

Select Case Color:

- White (standard)
- Grey
- Black

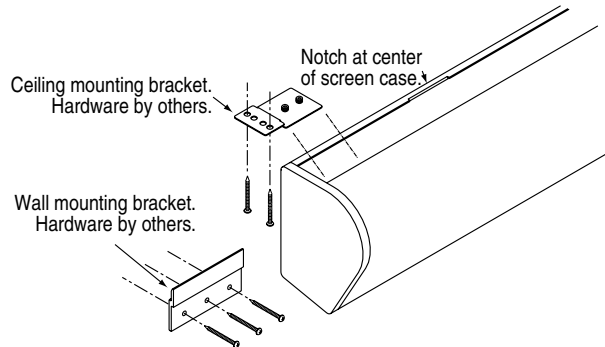
Select Mounting Method:

- Wall ("Z" Clips supplied)
- Ceiling (Ceiling bracket supplied)
- Extended Wall Brackets (Must be specified now and at time of order)
 - 6" brackets
 - 10"-14" brackets

Optional Accessories:

- Extra Drop ¹
 - Black (standard)
 - Same color as viewing surface
- Length of total drop (including standard 12" on some sizes—see grid above) _____ (Total screen height cannot exceed 8')
- Black Masking Borders (optional on AV format, standard all others)

Methods of Installation



DRAPER

411 S. Pearl St., Spiceland, IN 47385 USA ■ 765-987-7999

www.draperinc.com ■ fax 765-987-7142

Copyright © 2015 Draper Inc. Form SilhouetteM_Sub15 Printed in U.S.A.

PROJECT: _____
ARCHITECT: _____
CONTRACTOR: _____
SUPPLIER: _____
DATE: _____ REVISED: _____