

# Silhouette/Series C

Manual crank-operated projection screen  
with revolutionary case design

by **DRAPER**

## Specifications—Silhouette/Series C

\_\_\_\_\_ projection screens, size \_\_\_\_\_ h. x \_\_\_\_\_ w., wall or ceiling mounting. Case free of exposed fasteners. Back and top of extruded aluminum in L-shaped section; front in a contoured shape. Endcaps die-cast, of rounded design, flush with case contour. Front section easily removable for access to operator and viewing surface. Viewing surface flame and mildew resistant. Bottom of viewing surface enclosed in dowel; dowel to disappear inside case when retracted. Top of surface masked by 12" black drop.

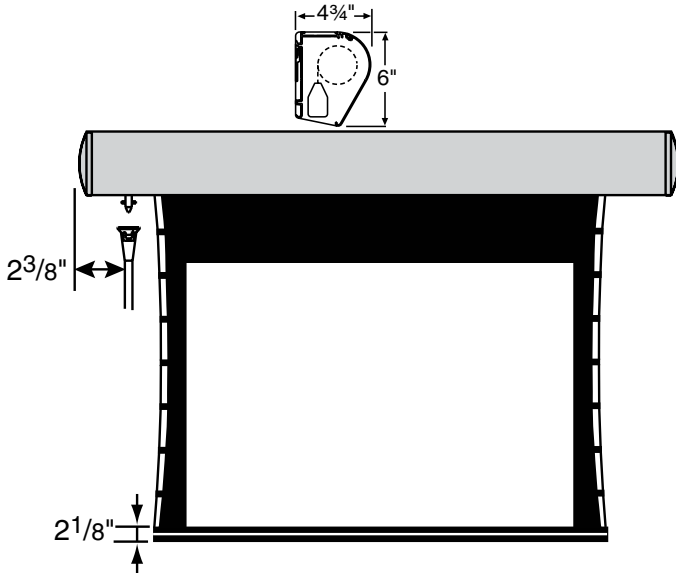
Entire unit patented by Draper, Inc. (U.S. Patent Nos. 5,296,964 and 6,111,694.)

Viewing surface with black masking borders. Each side of surface to have tab-guide cable system for even lateral tension and flat surface. Matt White XT1000V and Grey XH600V viewing surfaces are certified to GREENGUARD standards for low chemical emissions into indoor air during product usage. For more information, visit [ul.com/gg](http://ul.com/gg).

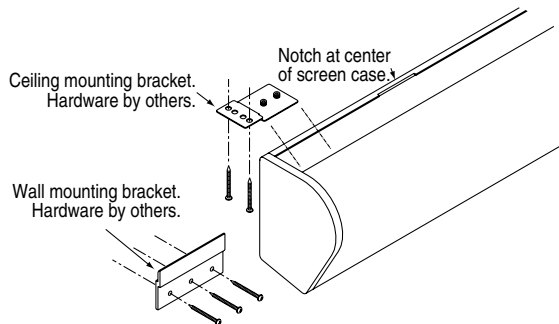
Bottom of surface supported and masked by black extruded aluminum dowel weighted to apply proper vertical tension. Operated by detachable polished aluminum crank.

Downloadable 3-part specifications are available at [www.draperinc.com](http://www.draperinc.com). Specifications subject to change without notice.

## Case Dimensions



## Methods of Installation



## Dimensions & Data

Size H x W	Case Length <sup>1</sup>	Dowel Length	Net Wt. (lbs.)	Qty.	
<b>AV Format</b>					
50" x 50"	72 <sup>3</sup> / <sub>4</sub> "	60 <sup>7</sup> / <sub>8</sub> "	30		
60" x 60"	83 <sup>3</sup> / <sub>4</sub> "	71 <sup>7</sup> / <sub>8</sub> "	32		
70" x 70"	93 <sup>3</sup> / <sub>4</sub> "	82 <sup>7</sup> / <sub>8</sub> "	37		
84" x 84"	109"	96 <sup>7</sup> / <sub>8</sub> "	43		
72" x 96"	119 <sup>3</sup> / <sub>4</sub> "	108 <sup>7</sup> / <sub>8</sub> "	51		
96" x 96"	122 <sup>1</sup> / <sub>2</sub> "	110 <sup>3</sup> / <sub>8</sub> "	56		
Nominal Diagonal	Image Area	Case Length <sup>1</sup>	Dowel Length	Net Wt. (lbs.)	Qty.
<b>NTSC Video Format (4:3)</b>					
6'	42 <sup>1</sup> / <sub>2</sub> " x 56 <sup>1</sup> / <sub>2</sub> "	79 <sup>1</sup> / <sub>4</sub> "	67 <sup>3</sup> / <sub>8</sub> "	36	
7'	50" x 66 <sup>1</sup> / <sub>2</sub> "	89 <sup>1</sup> / <sub>4</sub> "	77 <sup>3</sup> / <sub>8</sub> "	40	
100"	60" x 80"	103 <sup>3</sup> / <sub>4</sub> "	91 <sup>7</sup> / <sub>8</sub> "	44	
10'	72" x 96"	119 <sup>3</sup> / <sub>4</sub> "	108 <sup>3</sup> / <sub>4</sub> "	51	
<b>HDTV Format (16:9)</b>					
92"	45" x 80"	102 <sup>3</sup> / <sub>4</sub> "	90 <sup>7</sup> / <sub>8</sub> "	45	
106"	52" x 92"	114 <sup>3</sup> / <sub>4</sub> "	102 <sup>7</sup> / <sub>8</sub> "	51	

## Custom Size

<sup>1</sup>Extra drop will increase case length. Specify and request dimension.

## Please Mark Appropriate Selections

### Select Viewing Surface:

- Matt White XT1000V (1.0 gain): GREENGUARD Gold certified
- Grey XH600V (0.6 gain): GREENGUARD Gold certified
- Pearl White MH1500V (1.5 gain): Optional
- Pure White XT1300V (1.3 gain): Optional
- Rear Projection Surface: Optional \_\_\_\_\_
- Other: \_\_\_\_\_

### Select Case Color:

- Grey
- Black
- White

### Select Mounting Method:

- Wall ("Z" Clips supplied)
- Ceiling (Ceiling bracket supplied)
- Extended Wall Brackets (Must be specified now and at time of order)
  - 6" brackets
  - 10"-14" brackets

### Optional Accessories:

- Additional Drop \_\_\_\_\_ (**Beyond standard 12"**)  
Total Drop <sup>1</sup> \_\_\_\_\_ (Standard 12" + Additional drop) (Total screen height cannot exceed 8'; extra drop increases length of case)

- Black (standard)
- Same color as viewing surface

\_\_\_\_\_ Height from bottom of screen to floor

**DRAPER**

411 S. Pearl St., Spiceland, IN 47385 USA ■ 765-987-7999  
[www.draperinc.com](http://www.draperinc.com) ■ fax 765-987-7142

Copyright © 2015 Draper Inc. Form SilhouetteC\_Sub15 Printed in U.S.A.

PROJECT: _____
ARCHITECT: _____
CONTRACTOR: _____
SUPPLIER: _____
DATE: _____ REVISED: _____