

Rolleramic

Rolleramic Specifications

_____ projection screens, size(s) _____ (h x w), electrically operated 60 Hz., 110-120V AC. Motor to be 3-wire, 1.1 (small motor) or 3.1 (large motor) amp draw, instantly reversible, designed for the purpose, lifetime lubricated. With internal thermal overload protector and mechanical brake. Motor mounted on rubber vibration insulators. Preset, accessible limit switches. Entire drive unit easily removable from case. Three-position control switch to stop or reverse screen at any point. Switch(es) furnished complete with coverplate.



Roller to be heavy gauge metal 5" O.D. black painted roller brackets to have double row radial ball bearings. Viewing surface to be fire and mildew resistant. Matt White XT1000E and Contrast Grey XH800E viewing surfaces shall qualify as low emitting and meet all of the requirements of the GREENGUARD for Children and Schools and GREENGUARD certification program. Case of 3/4" warp resistant composition wood, with hinged panel for motor compartment, finished with primer coat of paint. Motor compartment to be metal lined. Bottom of case fully enclosed except slot allowing fabric passage. Steel mounting brackets, at least 1/4" thick, wrap under bottom edge of case. Entire unit certified by Underwriters' Laboratories, Inc. for the United States and Canada.

Downloadable 3-part specifications are available at www.draperinc.com. Specifications subject to change without notice.

Please Check All Appropriate Selections

Select Viewing Surface:

- Matt White XT1000E (1.0 gain): GREENGUARD for Children and Schools certified
- Contrast Grey XH800E (0.8 gain) (Thru 8' x 20'): GREENGUARD for Children and Schools certified
- Other: _____

Select Access To Motor Compartment:

- Bottom Access (Standard)
- Front Access

Optional Accessories:

- Extra Screen Drop (Total screen height cannot exceed 20')
 - Same color as viewing surface (standard on AV format screens)
 - Black (standard on all other formats)
 Length of total drop _____
- Black Masking Borders (Optional on AV format sizes; std on all others)

Control Options:

Please Note: This Draper motorized screen comes with one 110V-120V AC 3-position wall switch (silver wall plate with black rocker)

- _____ Total number of 110-120V AC switches (switches operate independently)
- Substitute white switch(es) for silver wall plate with black rocker
- Network Communication (Please see and complete a Serial and Network Screen and Lift Control Planning Sheet)
- Optional Low Voltage Control Module (LVC-IV)
 - 24 Volt 3-Button Switch Number of 24V switches: _____
 - Radio Frequency Remote Control (only with 24V)
 - Infrared Remote Control (only with 24V)
- Optional Key Operated Switch
 - Power Supply Key Switch (On-off)
 - 3-Position Switch with Hinged Key-Locking Coverplate
- Optional Video Interface Control
 - VIC-115 Override Switch
 - VIC-12 Override Switch
 - VIC-6 Override Switch

(VICs are compatible only with the Override Switch, and not with any other wall switches or controls)

¹Matt White XT1000E screens require heavy-duty motor whenever total fabric (including extra drop) exceeds 144 sq. ft.

Electrically Operated Projection Screen

by **DRAPER**

Dimensions & Data

Size H x W	Case Length	Net Wt. (lbs.)	Qty.	Size H x W	Case Length	Net Wt. (lbs.)	Qty.
AV Format				9' x 12'	168"	175	
50" x 50"	74"	90		12' x 12'	168"	180	
60" x 60"	84"	95		10' 6" x 14'	198"	210	
70" x 70"	94"	105		14' x 14'	198"	220	
84" x 84"	108"	120		12' x 16'	222"	240	
72" x 96"	120"	130		16' x 16'	222"	245	
96" x 96"	120"	135		13' 6" x 18'	246"	290	
7' x 9'	132"	135		18' x 18'	246"	320	
9' x 9'	132"	140		8' x 20'	270"	310	
8' x 10'	144"	150		15' x 20'	270"	350	
10' x 10'	144"	155		20' x 20'	270"	380	

Nominal Diagonal	Image Area H x W	Overall Size	Case Length	Net Wt. (lbs.)	Qty.
NTSC Video Format (4:3)					
6'	42 1/2" x 56 1/2"	46 1/2" x 59 1/2"	84"	95	
7'	50" x 66 1/2"	53 1/2" x 69 1/2"	94"	105	
100"	60" x 80"	64" x 83 1/2"	108"	120	
10'	69" x 92"	73" x 96"	120"	130	
11'	78" x 104"	83" x 108"	132"	135	
150"	87" x 116"	92" x 120"	144"	150	
15'	105" x 140"	109" x 144"	168"	175	
200"	118" x 158"	123" x 162"	192"	210	
20'	141" x 188"	146" x 192"	222"	240	
250"	148" x 198"	153" x 202"	232"	285	
25'	177" x 236"	182" x 240"	270"	350	

Nominal Diagonal	Image Area H x W	Overall Size	Case Length	Net Wt. (lbs.)	Qty.
HDTV Format (16:9)					
92"	45" x 80"	57" x 83 1/2"	108"	120	
106"	52" x 92"	64" x 96"	120"	130	
110"	54" x 96"	66" x 100"	124"	130	
119"	58" x 104"	62" x 108"	132"	135	
133"	65" x 116"	69" x 120"	144"	150	
161"	79" x 140"	84" x 144"	168"	175	
184"	90" x 160"	95" x 164"	194"	210	
193"	94 1/2" x 168"	99 1/2" x 172"	202"	225	
220"	106" x 188"	111" x 192"	222"	240	
227"	111 1/2" x 198"	116 1/2" x 202"	232"	285	
270"	133" x 236"	138" x 240"	270"	350	

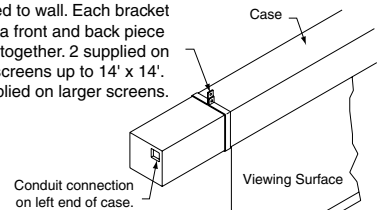
Nominal Diagonal	Image Area H x W	Overall Size	Case Length	Net Wt. (lbs.)	Qty.
16:10 Format					
94"	50" x 80"	62" x 83 1/2"	108"	120	
109"	57 1/2" x 92"	70" x 96"	120"	130	
113"	60" x 96"	72" x 100"	124"	130	
123"	65" x 104"	69" x 108"	132"	135	
137"	72 1/2" x 116"	76 1/2" x 120"	144"	150	
165"	87 1/2" x 140"	92 1/2" x 144"	168"	175	
189"	100" x 160"	105" x 164"	194"	210	
198"	105" x 168"	110" x 172"	202"	225	
222"	117 1/2" x 188"	122 1/2" x 192"	222"	240	
234"	123 3/4" x 198"	128 3/4" x 202"	232"	285	
278"	147 1/2" x 236"	152 1/2" x 240"	270"	350	

Custom Size

* These sizes include 12" black drop as standard.
Case dimensions—9 1/8" H x 9 1/8" W Height of hangers above case—2 5/8"

Methods of Installation

Universal Mounting Bracket may be suspended from above, or mounted to wall. Each bracket consists of a front and back piece bolted together. 2 supplied on screens up to 14' x 14'. 3 supplied on larger screens.



Please Note: The Rolleramic is not available with the TorqStar Utility Line Set.

PROJECT: _____

ARCHITECT: _____

CONTRACTOR: _____

SUPPLIER: _____

DATE: _____ REVISED: _____

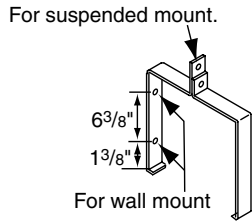


411 S. Pearl St., Spiceland, IN 47385 USA ■ 765-987-7999

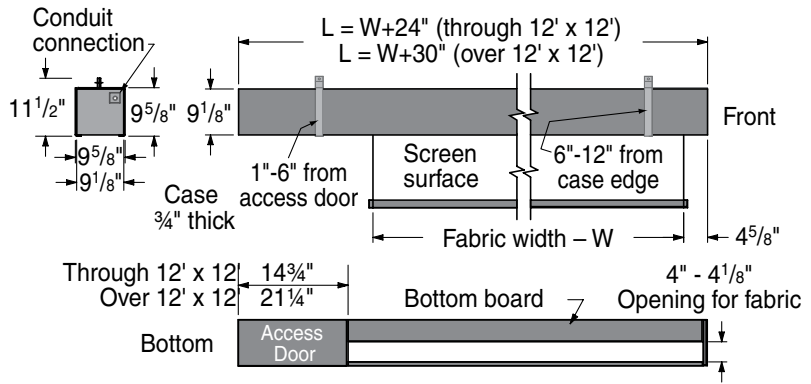
www.draperinc.com ■ fax 765-987-7142

Copyright © 2015 Draper Inc. Form Rolleramic_Sub15 Printed in U.S.A.

Rolleramic Mounting Bracket

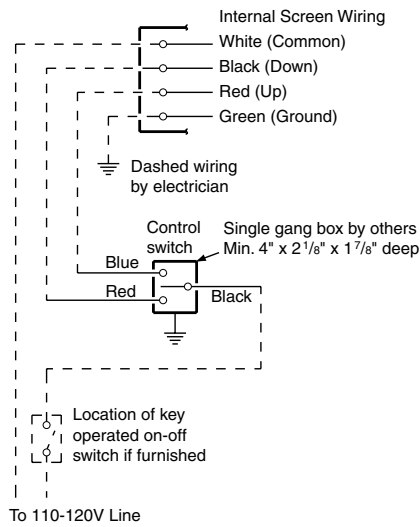


Case Dimensions

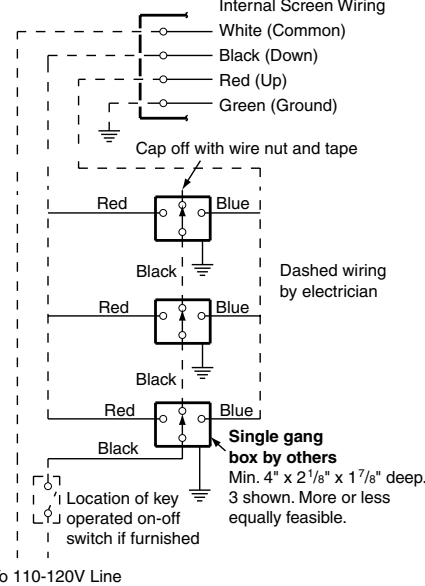


Wiring Diagrams

Single Station Control

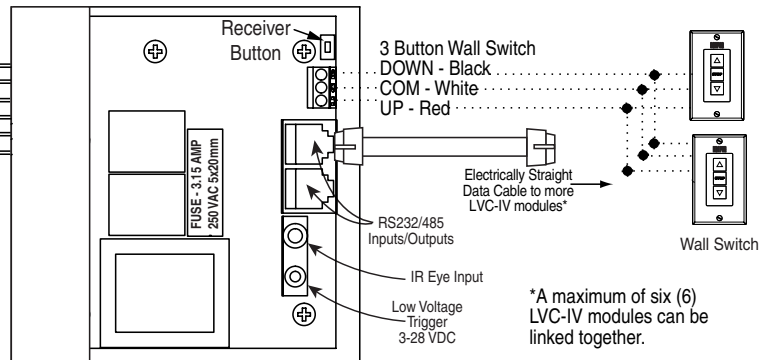
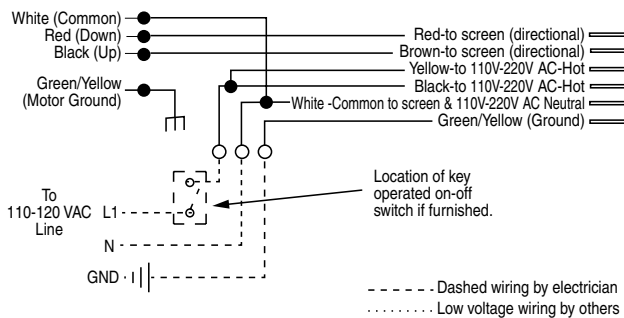


Multiple Station Control



Low Voltage, IR Remote or RF Remote (LVC-IV)

INTERNAL SCREEN WIRING



*** For more information and wiring diagrams for low voltage multiple motors and network communication, please see Draper Screen and Lift Controls Planning Sheet, Draper Screens and Lift Controls Wiring Manual and wiring diagrams supplied with individual items.**

PROJECT: _____

SUPPLIER: _____

DATE: _____ REVISED: _____