

Profile+

Permanently Mounted Projection Screen with Thin Bezel Trim Frame

Specifications—Profile+

_____ permanently tensioned projection screens, size _____ h. x _____ w. (viewing area), designed for wall mounting. 1/2" (13mm) of black extruded thin bezel trim frame shall be visible from the front, and shall attach to hidden base frame using a compression fit. The face of the frame shall be less than 1 15/16" (4.5 cm) away from the wall, with a beveled back to give the screen the appearance of floating in front of the wall. Viewing surface to have 3/4" (19mm) hem pocket on all four sides to accept screen insertion tubing. Surface wraps around and attaches to extruded base frame using extruded plastic strips, eliminating pulling and puckering inherent to fabric attachment utilizing snaps or hook & loop fabric strips. Matt White XT1000V and Grey XH600V viewing surfaces are certified to GREENGUARD standards for low chemical emissions into indoor air during product usage. For more information, visit ul.com/gg. Base trim frame extrusions shall provide for up to 1 1/2" (38mm) of horizontal and vertical surface tension adjustability in 3/8" (9.5mm) increments to combat screen stretch and sag over time. Frame equipped with mounting flange that mates with wall brackets. Available in custom sizes up to 30' (9.14m) wide. Patented by Draper, Inc. Patent information available at <http://www.draperinc.com/legal/patents/>. Downloadable 3-part specifications are available at www.draperinc.com. Entire unit certified by Underwriters' Laboratories for the U.S. and Canada. Plenum rated case (UL approved "Suitable for Use in Environmental Air Space"). Specifications subject to change without notice.



Please Mark Appropriate Selections

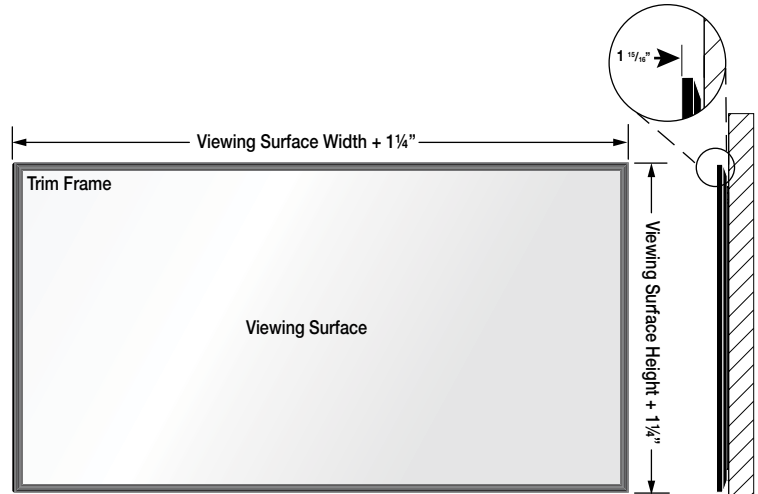
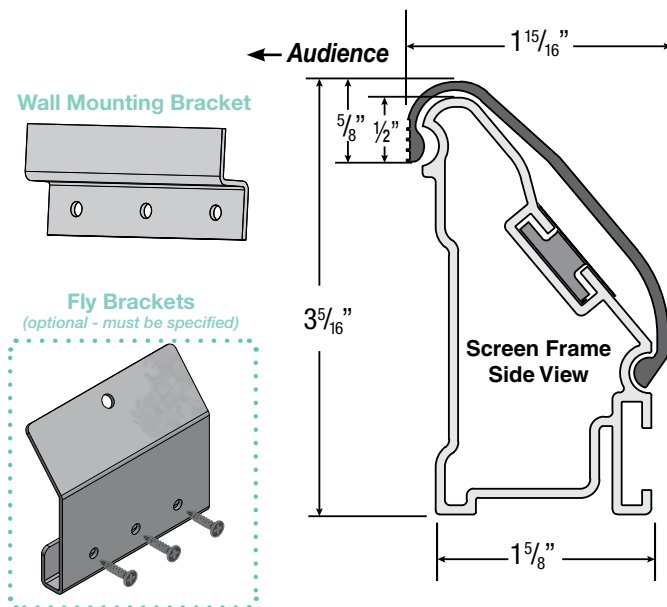
Select Viewing Surface:

- Matt White XT1000V (1.0 gain): GREENGUARD Gold certified
- Grey XH600V (0.6 gain) (Thru 9' x 12'): GREENGUARD Gold certified
- Pearl White MH1500V (1.5 gain) (Thru 9' x 12'): Optional
- Pure White XT1300V (1.3 gain): Optional
- ReAct MS1000V (1.0 gain): Optional
- TecVision (TSV Certified for Color Accuracy) Optional: _____
- Other: _____
- Black Frame (standard if no choice indicated)

Dimensions & Data

Nominal Diagonal	Image Area	Overall H x W	Net Wt. (lbs.)	Qty.
16:10 Format				
94"	50" x 80"	51 1/4" x 81 1/4"	76	
109"	57 1/2" x 92"	58 3/4" x 93 1/4"	80	
113"	60" x 96"	61 1/4" x 97 1/4"	84	
123"	65" x 104"	66 1/4" x 105 1/4"	87	
137"	72 1/2" x 116"	73 3/4" x 117 1/4"	94	
165"	87 1/2" x 140"	88 3/4" x 141 1/4"	99	
198"	105" x 168"	106 1/4" x 169 1/4"	108	
226"	120" x 192"	121 1/4" x 193 1/4"	114	
255"	123" x 216"	124 1/4" x 217 1/4"	125	
283"	150" x 240"	151 1/4" x 241 1/4"	133	
HDTV Format (16:9)				
92"	45" x 80"	46 1/4" x 81 1/4"	76	
100"	49" x 87"	50 1/4" x 88 1/4"	80	
106"	52" x 92"	53 1/2" x 93 1/4"	82	
110"	54" x 96"	55 1/4" x 97 1/4"	85	
119"	58" x 104"	59 1/4" x 105 1/4"	89	
133"	65" x 116"	66 1/4" x 117 1/4"	93	
161"	79" x 140"	80 1/4" x 141 1/4"	98	
193"	94 1/2" x 168"	95 3/4" x 169 1/4"	105	
220"	108" x 192"	109 1/4" x 193 1/4"	110	
248"	121 1/2" x 140"	122 3/4" x 217 1/4"	122	
275"	135" x 240"	136 1/2" x 241 1/4"	130	
CinemaScope Format (2.35:1)				
115"	45" x 105 3/4"	46 1/4" x 107"	60	
132"	52" x 122"	53 1/4" x 123 1/4"	68	
148"	58" x 136 1/4"	59 1/4" x 137 1/2"	73	
166"	65" x 152 3/4"	66 1/4" x 154"	86	
204"	80" x 188"	81 1/4" x 189 1/4"	102	
230"	90" x 211 1/2"	91 1/4" x 212 3/4"	115	
248"	97" x 228"	98 1/4" x 229 1/4"	120	
260"	101 3/4" x 239 1/4"	103" x 240 1/2"	122	
Custom Size				

Profile+ Frame Details



Draper, Inc. | 411 S. Pearl St. Spiceland, IN 47385
draperinc.com | 765.987.7999 | 800.238.7999

© 2018 All Rights Reserved | FORM: ProfilePlus_Sub18

PROJECT: _____

ARCHITECT: _____

CONTRACTOR: _____

SUPPLIER: _____

DATE: _____ REVISED: _____