

Premier/Series C Crank-Operated Screen With Perfectly Flat Viewing Surface

by **DRAPER**

Specifications—Premier/Series C

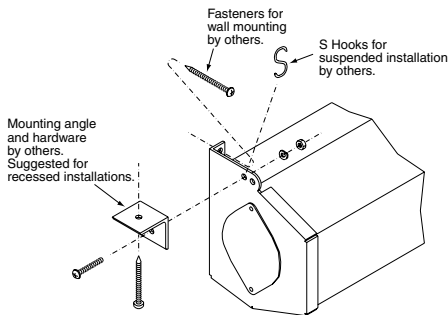
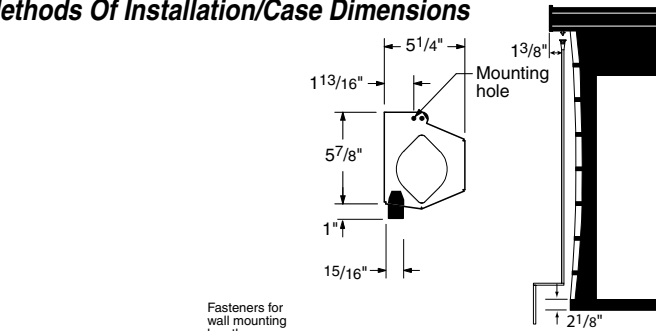
Projection screens, size _____ h. x _____ w. 3" dia. metal roller. Operated by detachable polished aluminum crank. Viewing surface to be flame and mildew resistant, with black masking borders. Each side of surface to have tab-guide cable system to maintain even lateral tension and hold surface flat. Bottom of surface supported and masked by black, extruded aluminum dowel weighted to apply proper vertical tension. Top of surface masked by 12" black drop. Matt White XT1000V and Grey XH600V viewing surfaces are certified to GREENGUARD standards for low chemical emissions into indoor air during product usage. For more information, visit ul.com/gg.
Case of one-piece 22-ga. steel with flat back design and baked-on black plastisol finish. Endcaps of 12 ga. black finished steel fully enclosing roller ends and forming universal hanging brackets. Specifications subject to change without notice.



Dimensions & Data

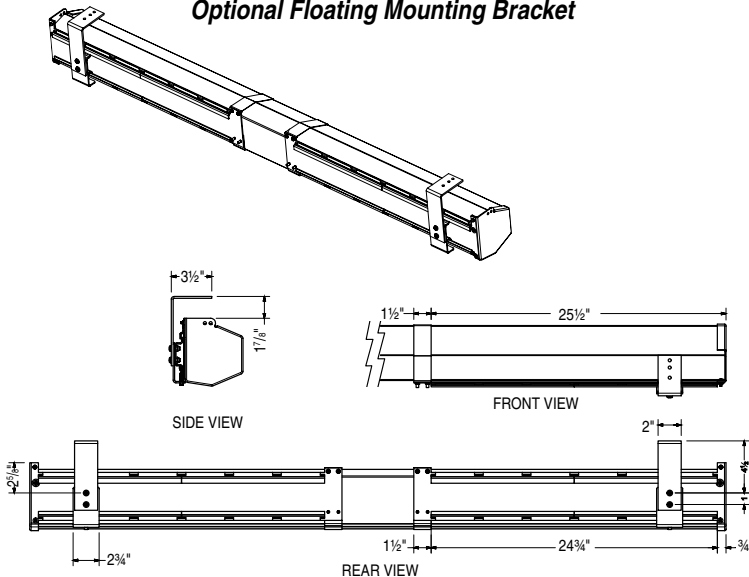
H x W	Case Length ¹	Dowel Length ¹	Net Wt. (lbs.)	Qty.	
AV Format					
50" x 50"	68"	60 ⁷ / ₈ "	30		
60" x 60"	78 ³ / ₄ "	71 ⁷ / ₈ "	35		
70" x 70"	89"	82 ⁷ / ₈ "	40		
84" x 84"	104 ¹ / ₄ "	96 ⁷ / ₈ "	50		
72" x 96"	115"	108 ⁷ / ₈ "	55		
96" x 96"	117 ³ / ₄ "	110 ³ / ₈ "	60		
7' x 9'	128 ¹ / ₄ "	120 ⁷ / ₈ "	60		
9' x 9'	129 ³ / ₄ "	122 ⁷ / ₈ "	65		
8' x 10'	141 ³ / ₄ "	134 ³ / ₈ "	70		
10' x 10'	143 ¹ / ₂ "	136 ³ / ₈ "	75		
9' x 12'	165 ³ / ₄ "	158 ⁷ / ₈ "	80		
12' x 12'	171 ¹ / ₂ "	162 ³ / ₈ "	85		
Nominal Diagonal	Image Area HxW	Case Length ¹	Dowel Length ¹	Net Wt. (lbs.)	Qty.
NTSC Video Format (4:3)					
6'	42 ¹ / ₂ " x 56 ¹ / ₂ "	74"	67 ³ / ₈ "	35	
7'	50" x 66 ¹ / ₂ "	84 ¹ / ₂ "	77 ³ / ₈ "	40	
100"	60" x 80"	97 ⁵ / ₈ "	91 ⁷ / ₈ "	50	
10'	72" x 96"	115"	108 ³ / ₄ "	55	
11'	78" x 104"	124 ¹ / ₄ "	116 ⁷ / ₈ "	60	
150"	87" x 116"	136 ¹ / ₄ "	130 ³ / ₈ "	70	
15'	108" x 144"	165 ³ / ₄ "	158 ³ / ₄ "	80	
HDTV Format (16:9)					
92"	45" x 80"	97 ⁵ / ₈ "	90 ⁷ / ₈ "	50	
106"	52" x 92"	110"	102 ⁷ / ₈ "	60	
119"	58" x 104"	122"	115 ⁷ / ₈ "	65	
133"	65" x 116"	135"	127 ⁷ / ₈ "	70	
161"	79" x 140"	160 ¹ / ₄ "	152 ⁷ / ₈ "	80	

Methods Of Installation/Case Dimensions



Please Note: If using "S" Hooks, for added safety, crimp both ends of the "S" hooks so the screen cannot come off.

Optional Floating Mounting Bracket



¹ Extra drop increases both case and dowel lengths.

Custom Size

Please Check All Appropriate Selections

Select Viewing Surface

Matt White XT1000V (1.0 gain): GREENGUARD Gold certified
 Grey XH600V (0.6 gain) (Thru 9' x 9'): GREENGUARD Gold certified
 Pearl White CH1900V (1.7 gain) (Thru 9' x 12'): Optional
 Pure White XT1300V (1.3 gain): Optional
 Rear Projection Surface: Optional _____
 Other: _____

Optional Accessories

Additional Drop _____ (**Beyond standard 12"**)¹
 Total Drop _____ (Standard 12" + Additional drop) (Total screen height cannot exceed 12'; extra drop increases length of case)

Black (standard)

Same color as viewing surface

_____ Height from bottom of screen to floor

Optional Floating Mounting Brackets (for wall and ceiling)

¹ Extra drop increases both case and dowel lengths.

PROJECT: _____

ARCHITECT: _____

CONTRACTOR: _____

SUPPLIER: _____

DATE: _____ REVISED: _____

DRAPER