

Luma

Specifications—Luma

_____ projection screens, size _____ h.
 x _____ w., wall/ceiling mounting. Case of 22 ga. steel, flat back design, with scratch-resistant white polyester finish. Friction-free closure. Viewing surface shall be flame and mildew resistant.

Matt White XT1000E and Contrast Grey XH800E viewing surfaces are certified to GREENGUARD standards for low chemical emissions into indoor air during product usage. For more information, visit ul.com/gg. Endcaps finished to match case, with integral roller brackets, concealing roller ends. With matching universal mounting brackets. Fabric securely attached to one-piece rigid steel roller. Bottom of viewing surface attached to weighted dowel. Saddle and pull attached by screws. Specifications subject to change without notice.



Please Check All Appropriate Selections

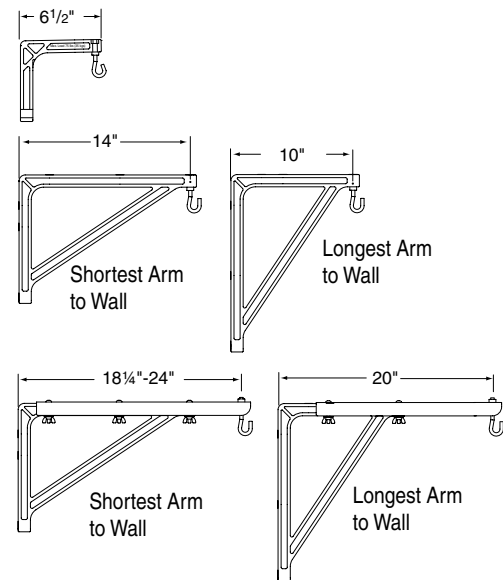
Select Viewing Surface:

- Matt White XT1000E (1.0 gain): GREENGUARD for Children and Schools certified
- Argent White XH1500E (1.5 gain): Optional
- Contrast Grey XH800E (0.8 gain): GREENGUARD for Children and Schools certified: Optional
- Other: _____

Optional Accessories:

- Mounting Brackets
 - 6" Brackets
 - 10"/14" Brackets
 - Adjustable Brackets
- T-Bar Twist Clips (Not recommended for screens over 70" x 70")
- Wall Tie-Back
- Extra Screen Drop ¹
 - Same color as viewing surface (standard on AV format screens)
 - Black (standard on other formats)
- Black Masking Borders (1 1/2" wide on sizes through 70" wide; 1 3/4" on 84" wide; 2" wide on larger sizes) (optional on AV format screens; standard on all others)

Optional Mounting Brackets



**1.85:1 and 15:9
 Formats also
 available.**

Spring Roller Operated
 Projection Screen by

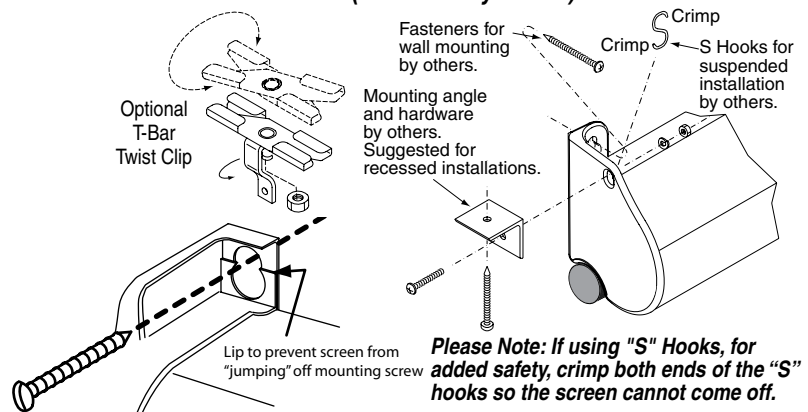


Dimensions & Data

Size H x W	Case Length	Net Wt. (lbs.)	Qty.		
AV Format					
50" x 50"	52 ³ / ₈ "	9			
60" x 60"	62 ³ / ₈ "	11			
70" x 70"	72 ³ / ₈ "	15			
84" x 84"	86 ³ / ₈ "	20			
72" x 96"	98 ⁷ / ₈ "	23			
96" x 96"	98 ⁷ / ₈ "	25			
Nominal Diagonal	Image Area	Overall Size	Case Length	Net Wt. (lbs.)	Qty.
NTSC Video Format (4:3)					
6'	42 1/2" x 56 1/2"	46 1/2" x 59 1/2"	62 ³ / ₈ "	11	
7'	50" x 66 1/2"	53 1/2" x 69 1/2"	72 ³ / ₈ "	14	
100"	60" x 80"	64" x 83 1/2"	86 ³ / ₈ "	17	
10'	69" x 92"	73" x 96"	98 ⁷ / ₈ "	21	
HDTV Format (16:9)					
65" ¹	31 3/4" x 56 1/2"	43 3/4" x 59 1/2"	62 ³ / ₈ "	11	
73" ¹	36" x 64"	48" x 69 1/2"	72 ³ / ₈ "	14	
82" ¹	40 1/2" x 72"	52 1/2" x 74"	76 ⁷ / ₈ "	17	
92" ¹	45" x 80"	57" x 83 1/2"	86 ³ / ₈ "	19	
100" ¹	49" x 87"	61" x 91"	93 ⁷ / ₈ "	23	
106" ¹	52" x 92"	64" x 96"	98 ⁷ / ₈ "	23	
16:10 Format					
67" ¹	35 1/4" x 56 1/2"	47 1/4" x 59 1/2"	62 ³ / ₈ "	12	
76" ¹	40" x 64"	52" x 69 1/2"	72 ³ / ₈ "	15	
85" ¹	45" x 72"	57" x 74"	76 ⁷ / ₈ "	18	
94" ¹	50" x 80"	62" x 83 1/2"	86 ³ / ₈ "	20	
109" ¹	57 1/2" x 92"	69 1/2" x 96"	98 ⁷ / ₈ "	24	
Custom Size					

¹These sizes include 12" black drop as standard.
 Case height—4³/₄" Case width—3³/₁₆"
 Case length = viewing surface overall width + 2⁷/₈".

Methods Of Installation (Hardware by others)



411 S. Pearl St., Spiceland, IN 47385 USA ■ 765-987-7999
www.draperinc.com ■ fax 765-987-7142

PROJECT: _____

ARCHITECT: _____

CONTRACTOR: _____

SUPPLIER: _____

DATE: _____ REVISED: _____