

# Lace & Grommet

Permanently Tensioned Projection Screen

Please check all appropriate selections and attach room schedule with verified dimensions.

**Select Flat or Curved Frame:**

- Flat
- Curved\*

\*For curved screens, stop here and fill out the planning sheet on page 2.

**Select Viewing Surface:**

**OptiFlex** *(Flexible)*

- Grey XH600V (0.6 gain) (GREENGUARD Gold Certified)
- Matt White XT1000V (1.0 gain) (GREENGUARD Gold Certified)
- Pure White XT1300V (1.3 gain)
- Pearl White MH1500V (1.5 gain)
- Other: \_\_\_\_\_

**CineFlex** *(Rear/Dual Projection)*

- CineFlex White XT700V (0.7 gain)
- CineFlex CH1200 (1.2 gain)
- Other: \_\_\_\_\_

**ClearSound** *(Acoustically Transparent)*

- ClearSound NanoPerf XT800V (0.8 gain)
- ClearSound Perf XT900V (1.0 gain)
- Other: \_\_\_\_\_

**Chroma Key**

- Chroma Key Green
- Chroma Key Blue
- Other: \_\_\_\_\_

**Select Borders:**

- Standard 4" (102 mm) black borders
- Optional custom border size: \_\_\_\_\_

**Select Optional Decorative Trim:**

- IFR Black Velour

**Size:**

Overall Surface Size\* = \_\_\_\_\_ H x \_\_\_\_\_ W  
 Overall Viewing Area\* = \_\_\_\_\_ H x \_\_\_\_\_ W

\*Note: For overall surface size, add 8" (20cm) to each Viewing Area dimension and 20" (51cm) for overall Frame.

**How will the screen be mounted?**

- Wall Mount
- Floor Mount *(by others)*
- Flown/Ceiling Mount *(by others)*

**Specifications**

**LACE & GROMMET**

**LACE & GROMMET SCREEN SURFACES**, size \_\_\_\_\_  
 H x W, (up to 40' [1219 cm] x 100' [3048 cm]) overall dimension, including webbing. Frame to be 3" (76 mm) O.D. aluminum extrusion, powder coated black. Lacing system consisting of 60-lb. (27 kg) test bungee and S-Hooks already attached. Frame shall assemble using Quick-Locking Joints.  
 Viewing surface to have 4" (102 mm) reinforced webbing borders around four sides of viewing area, with grommets on 6" (152 mm) centers. Viewing surface to be flame and mildew resistant. Contrast Grey XH800E, Matt White XT1000E, Grey XH600V, and Matt White XT1000V viewing surfaces are certified to GREENGUARD standards for low chemical emissions into indoor air during product usage.

For more information, visit [ul.com/gg](http://ul.com/gg).  
 Curved screens available with maximum radius of 12' (366 cm).  
 Optional IFR velour decorative trim available.  
 Specifications subject to change without notice.



PROJECT: \_\_\_\_\_

ARCHITECT: \_\_\_\_\_

CONTRACTOR: \_\_\_\_\_

SUPPLIER: \_\_\_\_\_

DATE: \_\_\_\_\_ REVISED: \_\_\_\_\_

If ordering a curved Lace and Grommet screen, PLEASE FILL OUT and SUBMIT THE INFORMATION BELOW WITH YOUR ORDER or request for quotation. Please mark appropriate response to each item.

1. What type of projector will be used? \_\_\_\_\_
2. How far is the projector lens from the screen (throw distance)? \_\_\_\_\_
3. What is the image size of the screen?  
Viewing Height \_\_\_\_\_ x Viewing Width (follows curve) \_\_\_\_\_

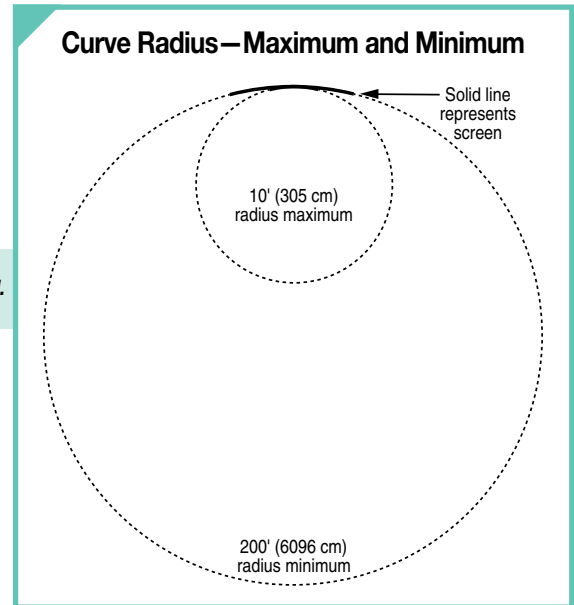
Please Note: For overall surface size, add 8" (20cm) to each Viewing Area dimension and 20" (51cm) for overall Frame.

4. What is the Radius of the curve? (see drawing at right) \_\_\_\_\_

5. \*How will the screen be mounted?

- Wall Mount    Floor Mount (by others)    Flown/Ceiling Mount (by others)

\*Note-Draper wall mounting brackets may not be available for tight radii. Draper will provide a drawing, which must be approved by signature before Curved Lace and Grommet order can be placed. Curved Lace and Grommet Planning Sheet and Drawing must accompany order.



6. Select Viewing Surface

OptiFlex (Flexible)

- Grey XH600V (0.6 gain) (GREENGUARD Gold Certified)  
 Matt White XT1000V (1.0 gain) (GREENGUARD Gold Certified)  
 Pure White XT1300V (1.3 gain)  
 Pearl White MH1500V (1.5 gain)  
 Other: \_\_\_\_\_

CineFlex (Rear/Dual Projection)

- CineFlex White XT700V (0.7 gain)  
 CineFlex CH1200 (1.2 gain)  
 Other: \_\_\_\_\_

ClearSound (Acoustically Transparent)

- ClearSound NanoPerf XT800V (0.8 gain)  
 ClearSound Perf XT900V (1.0 gain)  
 Other: \_\_\_\_\_

Chroma Key

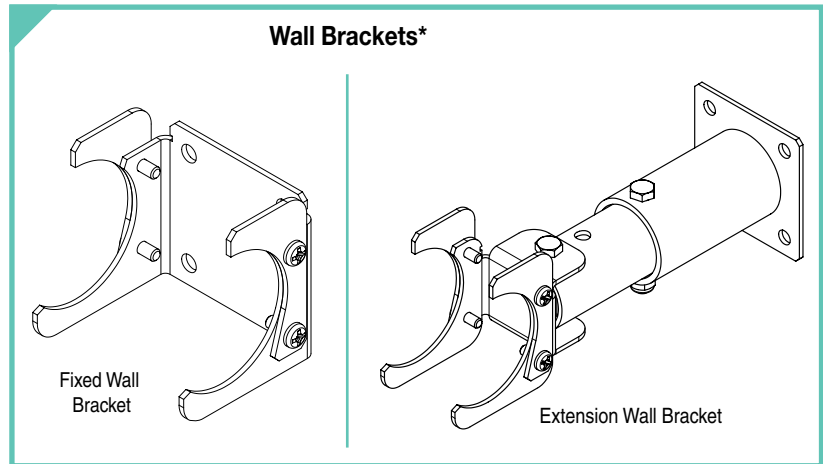
- Chroma Key Green  
 Chroma Key Blue  
 Other: \_\_\_\_\_

7. Select Borders

- Standard 4" (102 mm) black borders  
 Optional custom border size: \_\_\_\_\_

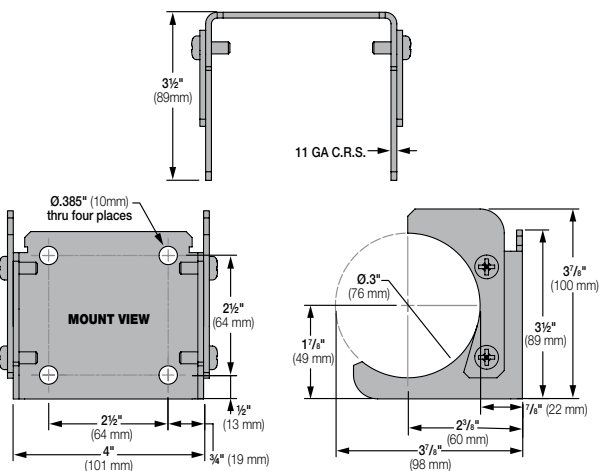
8. Select Optional Decorative Trim

- IFR Black Velour



Dimensions - Wall Brackets

Fixed Bracket



Extension Bracket

