

# Access/Series M



Ceiling recessed  
manual screen  
Install case now,  
screen later

by **DRAPER**

## Specifications—Access/Series M with AutoReturn

\_\_\_\_\_ projection screens, size \_\_\_\_\_ h.  
x \_\_\_\_\_ w., recessed in ceiling. Case back,  
top, and front constructed of steel. Endcaps are steel. Bottom panel  
forms slot for passage of viewing surface, easily removable for  
access to roller and viewing surface. Housing to include bottom  
flange for trim around edges of ceiling opening. Case may be  
mounted with  $\frac{3}{8}$ " threaded rod, with lag screws through brackets,  
or with wire in a grid ceiling. Mounting brackets slide in channels  
on top of case, allowing brackets to be moved somewhat to avoid interference  
with conflicting building structures. Brackets may be locked in position by  
tightening bolts. Brackets may also be angled to meet installation requirements.  
Roller/fabric assembly may be installed in case at factory or job site. Brackets  
supporting roller/fabric assembly to slide in track inside the top of the case,  
allowing viewing surface to be centered in case regardless of screen size.  
Viewing surface mounted on a  $1\frac{3}{4}$ ",  $2\frac{1}{4}$ " or 3" dia. rigid steel roller, depending  
on screen size. Viewing surface to be flame and mildew resistant. Bottom of  
viewing surface enclosed in dowel.  
Matt White XT1000E and Contrast Grey XH800E viewing surfaces are certified  
to GREENGUARD standards for low chemical emissions into indoor air during  
product usage. For more information, visit [ul.com/gg](http://ul.com/gg).  
One piece rigid roller. Patented by Draper, Inc. (U.S. Patent No. 6,532,109;  
6,816,308; 7,559,707.) Other patents pending. **Downloadable 3-part  
specifications available at [www.draperinc.com](http://www.draperinc.com).**  
Specifications subject to change without notice.



## Dimensions & Data

Size H x W	Case Length <sup>1</sup>	Net Wt. (lbs.)	Qty.		
<b>AV Format</b>					
9' x 12'	150"	88			
12' x 12'	150"	104			
Nominal Diagonal	Image Area	Overall Size	Case Length <sup>1</sup>	Net Wt. (lbs.)	Qty.
<b>NTSC Video Format (4:3)</b>					
15'	105" x 140"	109" x 144"	150"	88	
<b>HDTV Format (16:9)</b>					
161"	79" x 140"	84" x 144"	150"	88	
<b>16:10 Format</b>					
165"	87 $\frac{1}{2}$ " x 140"	92 $\frac{1}{2}$ " x 144"	150"	88	
<b>Custom Size</b>					

## Please Mark Appropriate Selections

### Select Shipping Option:

- Case Now, Screen Assembly Later  
 Complete Unit Now

### Select Case Color:

- White (standard)  
 Black (optional)

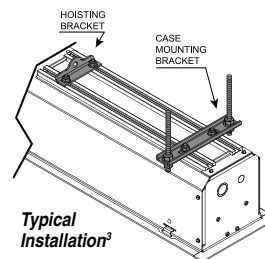
### Select Viewing Surface:

- Matt White XT1000E (1.0 gain): GREENGUARD Gold certified  
 Contrast Grey XH800E (0.8 gain) (Optional): GREENGUARD Gold certified  
 Other \_\_\_\_\_

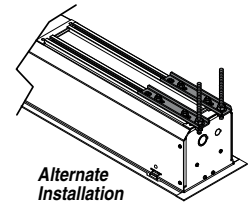
### Optional Accessories:

- Additional set of mounting brackets for alternate mounting (see page 2)  
 Extra Drop <sup>2</sup>  
 Same color as viewing surface (standard on AV format screens)  
 Black (standard on all other formats)  
 Length of total drop (including standard 12" on some sizes—see grid at right) <sup>2</sup>  
 2" Black Masking Borders (Optional on AV format, standard on all others)  
 Aluminum Operating Pole  
 4' long  
 6' long

## Case Dimensions and Methods of Installation



Typical  
Installation<sup>3</sup>



Alternate  
Installation  
(additional set of  
brackets required  
but *not* included)

<sup>3</sup> With typical installation, brackets may be angled to meet installation requirements.

<sup>1</sup> Case lengths include 1" flange on each end of case. Subtract 1 $\frac{1}{2}$ " for rough ceiling cutout length.

<sup>2</sup> These sizes include 12" black drop as standard.

Also available in 1.85:1, 2.35:1 and 15:9 Formats. Contact Draper.

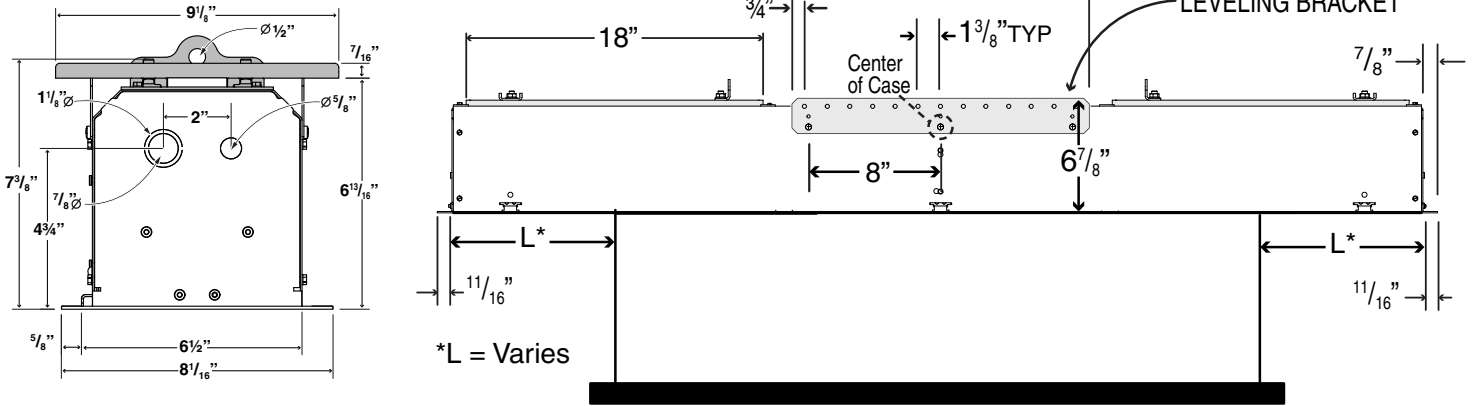
**DRAPER**

411 S. Pearl St., Spiceland, IN 47385 USA ■ 765-987-7999  
[www.draperinc.com](http://www.draperinc.com) ■ fax 765-987-7142

Copyright © 2016 Draper Inc. Form AccessM\_AR\_Sub16 Printed in U.S.A.

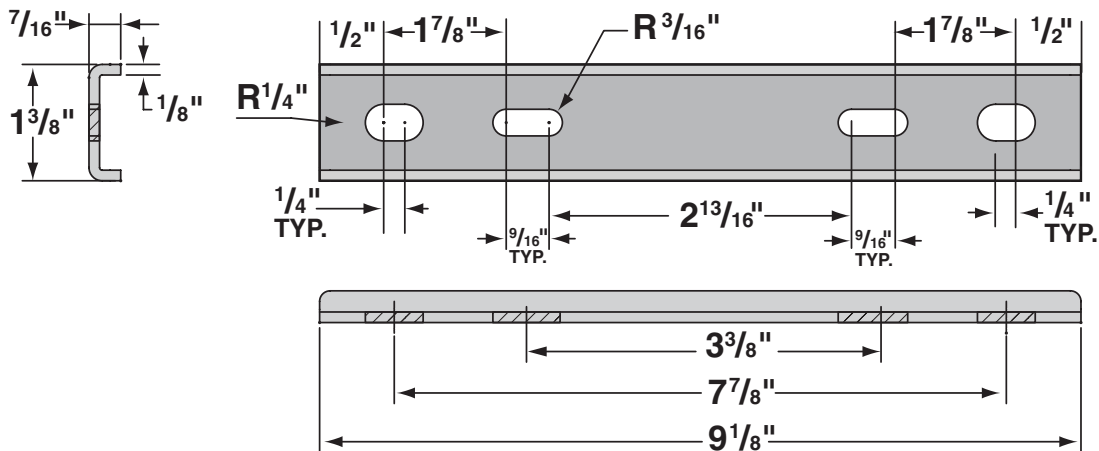
PROJECT: _____
ARCHITECT: _____
CONTRACTOR: _____
SUPPLIER: _____
DATE: _____ REVISED: _____

**Case Dimensions**



For ceiling cutout subtract  $1\frac{1}{2}$ " from case length and width (measured from outer edge of flanges).

**Mounting Bracket Dimensions**



PROJECT: \_\_\_\_\_

SUPPLIER: \_\_\_\_\_

DATE: \_\_\_\_\_ REVISED: \_\_\_\_\_