

# Access FIT V

May be ordered as a complete unit,  
or case now/screen and roller assembly later

## SUBMITTAL TECHNICAL INFO

Please check all appropriate selections and attach room schedule with verified dimensions.

### Specifications

QUANTITY: \_\_\_\_\_ SIZE: \_\_\_\_\_ h. x \_\_\_\_\_ w.

Projection screens, recessed ceiling mounted. Case back, top, and front constructed of steel. Endcaps are steel. Bottom panel forms slot for passage of viewing surface, easily removable for access. Symmetrical housing to allow for left- or right-hand motor location, and for viewing surface to unroll from the back or front of the roller. Case may be mounted with a 3/8" (9.5 mm) threaded rod, lag screws, or with wire in a grid ceiling. Mounting brackets slide in 18" (457 mm) long channels on top of case, allowing brackets to be moved to avoid interference with conflicting building structures. Brackets must be locked in position by tightening screws. Brackets may also be angled to meet installation requirements.

**ROLLER/FABRIC ASSEMBLY:** May be installed in case at factory or job site. Brackets supporting roller/fabric assembly to slide in track inside top of case, allowing viewing surface to be centered in case regardless of screen size. Roller of 2"-3" (51-76 mm) dia. steel. Top of HDTV and 16:9 format viewing surfaces through 110" (2.8 m) diagonal masked by 12" (30cm) black drop. Viewing surface flame and mildew resistant. Matt White XT1000V and Contrast Grey XH600V viewing surfaces are certified to GREENGUARD standards for low chemical emissions into indoor air during product usage. For more information, visit [ul.com/gg](http://ul.com/gg).

**ELECTRICALLY OPERATED 110-120V AC, 60 Hz. 4-WIRE MOTOR MOUNTED INSIDE SCREEN ROLLER:** 1.1-amp current draw, standard motor with preset accessible switches, instantly reversible, lifetime lubricated, with internal thermal overload protector and electric brake. Optional Quiet Motor operates at 44 Db (motor noise is approximately 30% less than standard tubular motors).

Housing to feature internal junction box, allowing it to be installed and wired to building supply wires at an early stage of construction. Junction box to have plug-in style connector, accepting the mating half of the connector from the motorized roller/fabric assembly. 3-position control switch (or switches—specify number) to stop or reverse screen at any point. Switch(es) furnished with cover plate.

Plenum rated case (UL approved "Suitable for Use in Environmental Air Space"). Specifications subject to change without notice. Entire unit certified by Underwriters' Laboratories, Inc. for the U.S. and Canada. Plenum rated case (UL approved "Suitable for Use in Environmental Air Space").

**DOWNLOADABLE 3-PART SPECIFICATIONS:** available at [www.draperinc.com](http://www.draperinc.com)

Please note: Dimensions of rollers, operators, and hardware at manufacturer's discretion.



### Select Shipping Option

**Please note:** When ordering a motor with internal low-voltage controller, if case ships separately from "guts," the case includes a 25' (7.6 m) cable and special low-voltage switch.

- Case Now, Screen Assembly Later
- Complete Unit Now

### Select Case Color

- White (standard)
- Black (optional)

### Select Motor Location

- Left end (standard)
- Right end

### Select Optional Accessories:

- Additional Drop \_\_\_\_\_  
(Beyond standard 12" (30cm))
- Total Drop \_\_\_\_\_  
(Standard 12" (30cm) + Additional drop)
- Black (standard)
- Same color as viewing surface (Total screen height cannot exceed 12' (3.66m); extra drop increases length of case)

**Please Note:** Extra drop increases case and dowel length. Specify at time of order and contact Draper if this dimension is critical. Case sizes include 1/8" (17mm) flange on each end of case. Subtract 1 1/4" (32mm) for rough ceiling cutout size.

### Select Viewing Surface:

#### OptiFlex (Self-Supporting Screen Surface)

- Matt White XT1000V  
(1.0 gain) (GREENGUARD Gold Certified)
- Grey XH600V  
(0.6 gain) (GREENGUARD Gold Certified)
- Pure White XT1300V  
(1.3 gain)

#### CineFlex (Rear/Dual Projection)

- CineFlex CH1200  
(1.2 gain)
- CineFlex White XT700V  
(0.7 gain)
- Other: \_\_\_\_\_

#### ClearSound (Acoustically Transparent)

- ClearSound NanoPerf XT1000V  
(1.0 gain)
- ClearSound Perf XT900V  
(0.9 gain)
- Other: \_\_\_\_\_

#### TECVISION® Premium Optical Surface

- XH700X Grey (0.7 gain) Certified
- XH800X UST ALR (0.8 gain) Certified
- XH900X ALR (0.9 gain) Certified
- CS1000X ALR (1.0 gain) Certified
- MS1000X ALR (1.7 gain) Certified
- XT1000X White (1.0 gain) Certified
- XT1100X White (1.1 gain) Certified
- CS1200X ALR (1.2 gain) Certified
- XT1300X White (1.3 gain) Certified
- XT1600X White (1.6 gain) Certified
- XT1800X White (1.8 gain) Certified
- XH700X Grey NanoPerf (0.7 gain) Certified
- XH900X ALR NanoPerf (0.9 gain) Certified
- MS1000X ALR NanoPerf (1.0 gain) Certified
- XT1000X White NanoPerf (1.0 gain) Certified
- XT1100X White NanoPerf (1.1 gain) Certified
- XT1300X White NanoPerf (1.3 gain) Certified
- XT1600X White NanoPerf (1.6 gain) Certified
- XT1800X White NanoPerf (1.8 gain) Certified
- CS1000X ALR NanoPerf (1.0 gain) Certified
- CS1200X ALR NanoPerf (1.2 gain) Certified



Draper, Inc. | 411 S. Pearl St. Spiceland, IN 47385  
draperinc.com | 765.987.7999 | 800.238.7999  
© 2020 All Rights Reserved | FORM: AccessFitV\_Sub20

PROJECT: \_\_\_\_\_

ARCHITECT: \_\_\_\_\_

CONTRACTOR: \_\_\_\_\_

SUPPLIER: \_\_\_\_\_

DATE: \_\_\_\_\_ REVISED: \_\_\_\_\_

## Select Motor and Controls

### Standard Voltage Motor and Control Options:

110-120V AC (standard)

Optional Quiet Motor

#### Quiet Motor Size Limitations:

Quiet Motor Size Limitations:			
AV	NTSC	HDTV	16:10
108" x 144"	180"	161"	165"

**Please Note:** These motors come with one 110V-120V AC 3-position wall switch (silver wall plate with black rocker).

Total number of 110-120V AC switches: \_\_\_\_\_  
(operate independently)

Substitute white switch(es) for silver wall plate with black rocker

Optional Key Operated Switch

Power Supply Key Switch (on-off)

3-Position Key Control

3-Position Switch with Hinged Key-Locking Coverplate

### Low-Voltage Motor and Control Options:

Internal LVC-IV (Low-Voltage Control Module)

External LVC-IV (Low-Voltage Control Module)

Motor with Internal Low-Voltage Controller

Quiet Motor with Internal Low-Voltage Controller

For XT1000V: **Quiet Motor with Internal LVC Size Limitations**

<sup>3</sup> Quiet Motor w/ LVC Size Limitations			
AV	NTSC	HDTV	16:10
96" x 96"	11'	119"	123"

**Please Note:** Select Control Options for Low-Voltage from below.

24 Volt 3-Button Switch (Number of 24V switches: \_\_\_\_\_)

Radio Frequency Remote Control (only with 24V)

Infrared Remote Control (only with 24V)

Optional Key Operated Switch

Power Supply Key Switch (On-off)

3-Position Switch with Hinged Key-Locking Coverplate

## Dimensions and Data

### 16:10 Format

Nominal Diagonal	Image Area	Case Length	Dowel Length	Net Wt. (lbs.)	Qty.
94"	50" x 80"	105 1/8"	90 7/8"	76	
109"	57 1/2" x 92"	118 1/8"	103 3/8"	80	
113"	60" x 96"	122 1/8"	107 3/4"	80	
123"	65" x 104"	130 1/8"	115 7/8"	85	

### HDTV Format (16:9)

Nominal Diagonal	Image Area	Case Length	Dowel Length	Net Wt. (lbs.)	Qty.
92"	45" x 80"	105 1/8"	90 7/8"	76	
100"	49" x 87"	112 1/8"	97 7/8"	80	
106"	52" x 92"	117 1/8"	102 7/8"	80	
110"	54" x 96"	122 1/8"	107 7/8"	80	
119"	58" x 104"	130 1/8"	115 7/8"	85	

### NTSC Video Format (4:3)

Nominal Diagonal	Image Area	Case Length	Dowel Length	Net Wt. (lbs.)	Qty.
6'	42 1/2" x 56 1/2"	81 1/8"	67 3/8"	60	
7'	50" x 66 1/2"	91 1/8"	77 3/8"	68	
100"	60" x 80"	106 1/8"	91 7/8"	73	
10'	72" x 96"	123 1/4"	108 3/8"	92	
11'	78" x 104"	131 1/4"	116 7/8"	98	

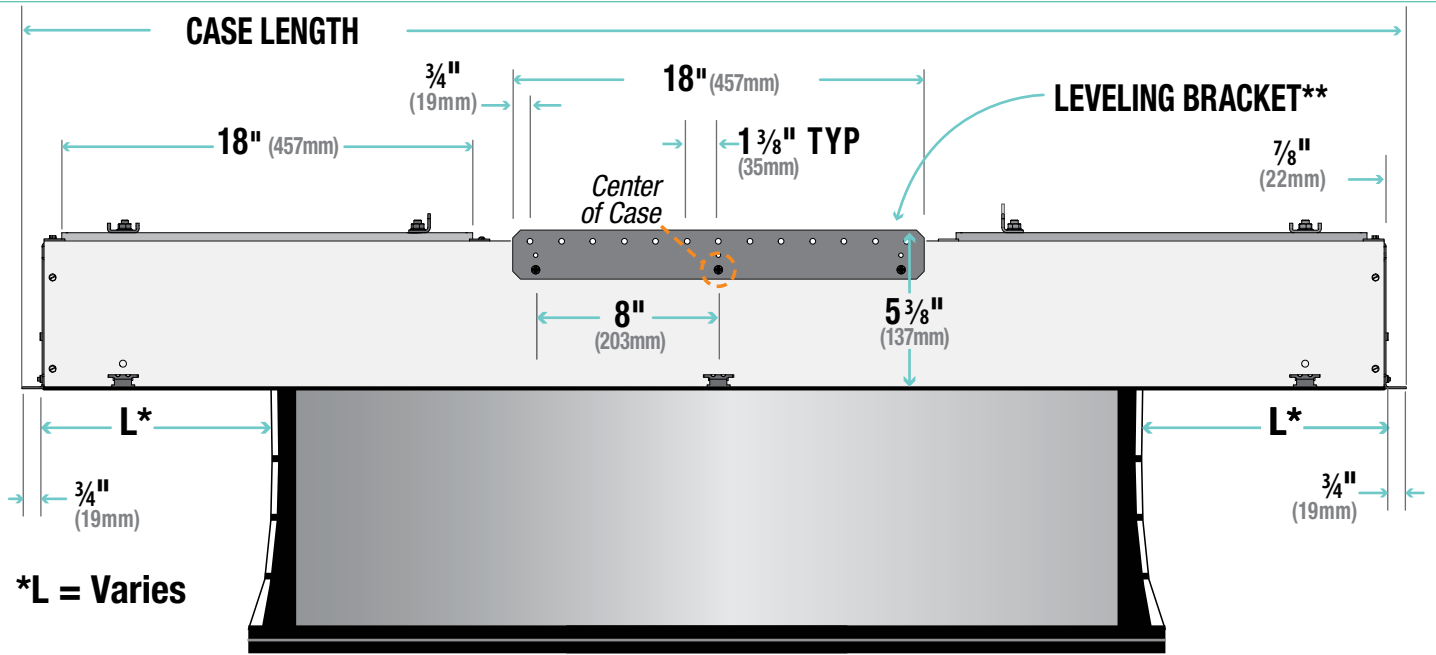
### Audio Visual Format

Size (H x W)	Case Length	Dowel Length	Net Wt. (lbs.)	Qty.
50" x 50"	75 1/8"	60 7/8"	58	
60" x 60"	86 1/8"	71 7/8"	66	
70" x 70"	97 1/4"	85 7/8"	69	
84" x 84"	111 1/4"	96 7/8"	74	
72" x 96"	123 1/4"	108 7/8"	92	

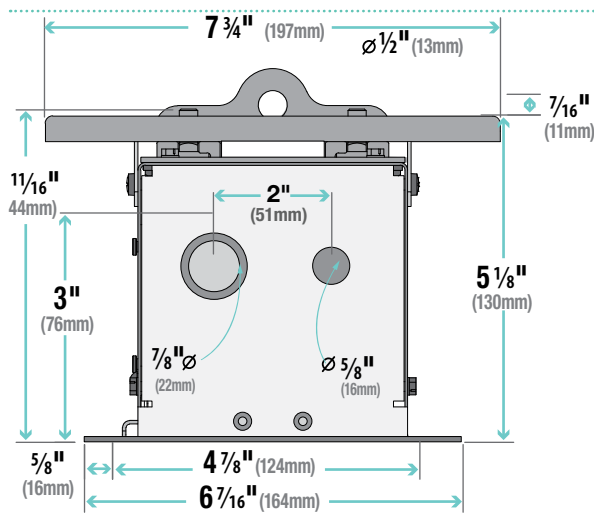
### Custom Size

<sup>1</sup> Please note: When ordering a motor with internal low-voltage controller, if case ships separately from "guts," the case includes a 25' (7.6 m) cable and special low-voltage switch.															
<sup>2,3</sup> For size limitation charts for quiet motors and quiet motors with built-in low-voltage controller, see below.															
<sup>2</sup> Quiet Motor Size Limitations:								<sup>2</sup> Quiet Motor with Internal LVC Size Limitations:							
16:10	HDTV	NTSC	AV	16:10	HDTV	NTSC	AV								
165"	161"	180"	108" x 144"	123"	119"	11'	96" x 96"								

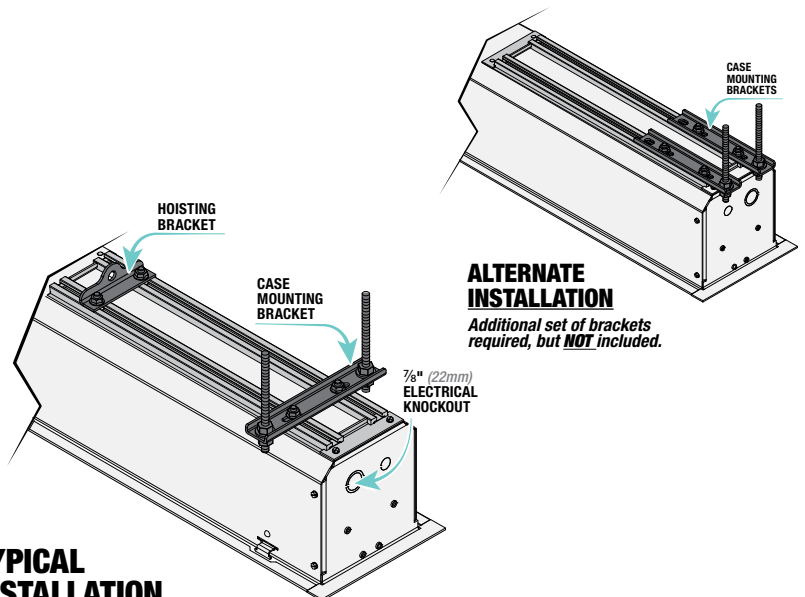
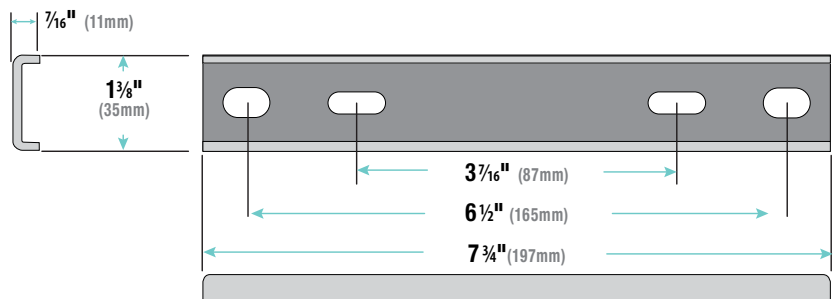
## Case Dimensions and Methods of Installation



- For minimum length of ceiling cutout: subtract 1 1/4" (32mm) from case length (measured from outer edge of flanges).
- For minimum width of cutout (front to back): see case width dimensions below.
- \*\*Leveling bracket is used to level the case and should NOT be used to support the weight of the unit.
- The leveling bracket is screwed to the side of the case. Hardware used for leveling provided by others.
- There are several knock-outs in the screen housing to allow the Leveling Bracket to be adjusted laterally up to 16" (40.6cm) in either direction.



Standard Motor Wiring is on the AUDIENCE LEFT END of Screen Case.

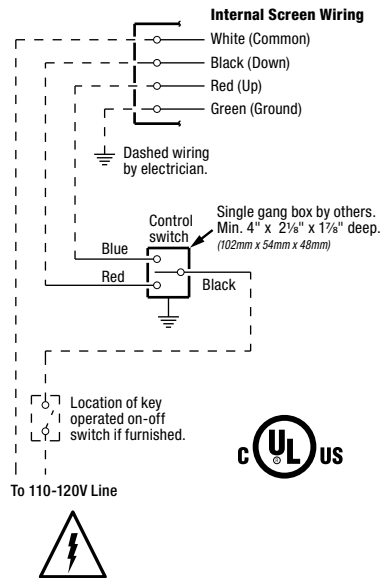


### TYPICAL INSTALLATION

With typical installation, brackets may be angled to meet installation requirements.

## 110-120V Motor and Quiet Motor

### Single Station Control

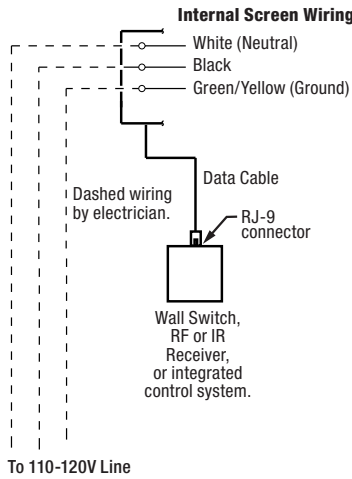


**Please Note:** For external low-voltage (LVC-IV), serial (LVC-IV), and network (LVC-IV) wiring diagrams, please consult instructions for those modules.

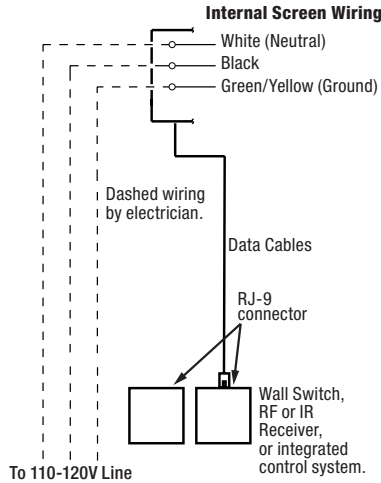
## 110-120V Motor and Quiet Motor

(Internal Low-Voltage Controller)

### Single Station Control



### Multiple Station Control



PROJECT: \_\_\_\_\_

ARCHITECT: \_\_\_\_\_

CONTRACTOR: \_\_\_\_\_

SUPPLIER: \_\_\_\_\_

DATE: \_\_\_\_\_ REVISED: \_\_\_\_\_