

Access FIT E

May be ordered as a complete unit,
or case now/screen and roller assembly later

SUBMITTAL TECHNICAL INFO

Please check all appropriate selections and attach room schedule with verified dimensions.

Select Shipping Option

Please note: When ordering a motor with internal low-voltage controller, if case ships separately from "guts," the case includes a 25' (7.6 m) cable and special low-voltage switch.

- Case Now, Screen Assembly Later¹
- Complete Unit Now

Select Case Color

- White (standard)
- Black (optional)

Select Motor and Controls

Standard Voltage Motor and Control Options:

- 110-120V AC (standard)
- Optional Quiet Motor²

Please Note: These motors come with one 110V-120V AC 3-position wall switch (silver wall plate with black rocker).

Total number of 110-120V AC switches (operate independently): _____

- Substitute white switch(es) for silver wall plate with black rocker
- Optional Key Operated Switch
 - Power Supply Key Switch (on-off)
 - 3-Position Key Control
 - 3-Position Switch with Hinged Key-Locking Coverplate

Low-Voltage Motor and Control Options:

- Internal LVC-IV (Low-Voltage Control Module)
- External LVC-IV (Low-Voltage Control Module)
- Motor with Internal Low-Voltage Controller¹
- Quiet Motor with Internal Low-Voltage Controller^{1,2}

Please Note: Select Control Options for Low-Voltage from below.

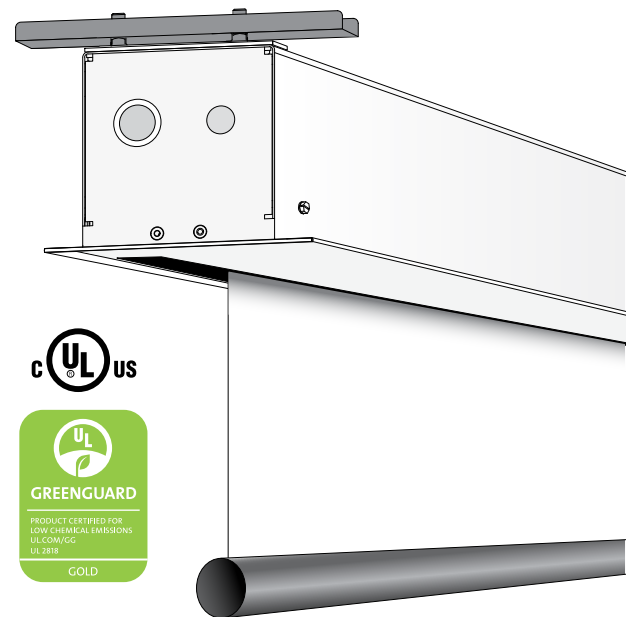
- 24 Volt 3-Button Switch (Number of 24V switches: _____)
- Radio Frequency Remote Control (only with 24V)
- Infrared Remote Control (only with 24V)
- Optional Key Operated Switch
 - Power Supply Key Switch (on-off)
 - 3-Position Switch with Hinged Key-Locking Coverplate

Select Motor Location

- Left end (standard)
- Right end

¹ **Please note:** When ordering a motor with internal low-voltage controller, if case ships separately from "guts," the case includes a 25' (7.6 m) cable and special low-voltage switch.

² For size limitation charts for Quiet Motors and Quiet Motors with Internal Low-Voltage Controller, see Page 2.



Specifications

QUANTITY: _____ SIZE: _____ h. x _____ w.

Projection screens, recessed ceiling mounted. Case back, top, and front constructed of steel. Endcaps are steel. Bottom panel forms slot for passage of viewing surface, easily removable for access. Symmetrical housing to allow for left or right-hand motor location, and for viewing surface to unroll from the back or front of the roller. Case to include bottom flange for trim around edges of ceiling opening. Case may be mounted with a 3/8" (9.5 mm) threaded rod, lag screws, or with wire in a grid ceiling. Mounting brackets slide in 18" (457 mm) long channels on top of case, allowing brackets to be moved to avoid interference with conflicting building structures. Brackets must be locked in position by tightening screws. Brackets may also be angled to meet installation requirements.

ROLLER/FABRIC ASSEMBLY: May be installed in case at factory or job site. Brackets supporting roller/fabric assembly to slide in track inside top of case, allowing viewing surface to be centered in case regardless of screen size. Roller of 2"-3" (51-76 mm) dia. steel. Top of 16:10 and 16:9 format viewing surfaces through 110" (2.8 m) diagonal masked by 12" (30 cm) black drop. Viewing surface flame and mildew resistant. Matt White XT1000E and Contrast Grey XH600E (tab-tensioned screens only) viewing surfaces are certified to GREENGUARD standards for low chemical emissions into indoor air during product usage. For more information, visit ul.com/gg.

ELECTRICALLY OPERATED 110-120V AC, 60 Hz. 4-WIRE MOTOR MOUNTED INSIDE SCREEN ROLLER: 1.1-amp current draw, standard motor with preset accessible switches, instantly reversible, lifetime lubricated, with internal thermal overload protector and electric brake. Optional Quiet Motor operates at 44 Db (motor noise is approximately 30% less than standard tubular motors).

Housing to feature internal junction box, allowing it to be installed and wired to building supply wires at an early stage of construction. Junction box to have plug-in style connector, accepting the mating half of the connector from the motorized roller/fabric assembly. 3-position control switch (or switches—specify number) to stop or reverse screen at any point. Switch(es) furnished with cover plate.

Plenum rated case (UL approved "Suitable for Use in Environmental Air Space"). Specifications subject to change without notice. Entire unit certified by Underwriters' Laboratories, Inc. for the U.S. and Canada. Plenum rated case (UL approved "Suitable for Use in Environmental Air Space").

DOWNLOADABLE 3-PART SPECIFICATIONS: available at www.draperinc.com

Please note: Dimensions of rollers, operators, and hardware at manufacturer's discretion.

PROJECT: _____

ARCHITECT: _____

CONTRACTOR: _____

SUPPLIER: _____

DATE: _____ REVISED: _____



Draper, Inc. | 411 S. Pearl St. Spiceland, IN 47385
draperinc.com | 765.987.7999 | 800.238.7999
© 2020 All Rights Reserved | FORM: AccessFitE_Sub20

Select Viewing Surface:

OptiFlex (Self-Supporting Screen Surface)

- Matt White XT1000E
- Contrast Grey XH800E
- Contrast White XH1100E
- Argent White XH1500E
- Pearl White CH1900E
- ClearSound White Weave XT900E
- ClearSound Grey Weave XH600E

Select Optional Accessories:

- Additional Drop _____ (Beyond standard 12")
- Total Drop _____ (Standard 12" + Additional drop)
 - Black (standard)
 - Same color as viewing surface
(Total screen height cannot exceed 12')

Dimensions and Data

16:10 Format

Nominal Diagonal	Image Area	Overall Area	Case Length	Net Wt. (lbs.)	Qty.
94"	50" x 80"	62" x 83½"	99½"	69	
109"	57½" x 92"	69½" x 96"	111½"	78	
113"	60" x 96"	72" x 100"	115½"	80	
123"	65" x 104"	69" x 108"	123½"	82	
137"	72½" x 116"	76½" x 120"	135½"	87	

HDTV Format (16:9)

Nominal Diagonal	Image Area	Overall Area	Case Length	Net Wt. (lbs.)	Qty.
92"	45" x 80"	57" x 83½"	99½"	74	
100"	49" x 87"	61" x 91"	106½"	76	
106"	52" x 92"	64" x 96"	111½"	78	
110"	54" x 96"	66" x 100"	115½"	80	
119"	58" x 104"	62" x 108"	123½"	82	
133"	65" x 116"	69" x 120"	135½"	87	

NTSC Video Format (4:3)

Nominal Diagonal	Image Area	Overall Area	Case Length	Net Wt. (lbs.)	Qty.
6'	42½" x 56½"	46½" x 59½"	75"	55	
7'	50" x 66½"	53½" x 69½"	85"	61	
100"	60" x 80"	64" x 83½"	99½"	71	
10'	69" x 92"	73" x 96"	111½"	82	
11'	78" x 104"	83" x 108"	123½"	96	
150"	87" x 116"	92" x 120"	135½"	102	

Audio Visual Format

Size (H x W)	Case Length	Net Wt. (lbs.)	Qty.
50" x 50"	65"	50	
60" x 60"	75"	55	
70" x 70"	85"	65	
84" x 84"	99½"	72	
72" x 96"	111½"	80	
96" x 96"	111½"	84	
7' x 9'	123½"	90	
9' x 9'	123½"	93	
8' x 10'	135½"	92	
10' x 10'	135½"	97	

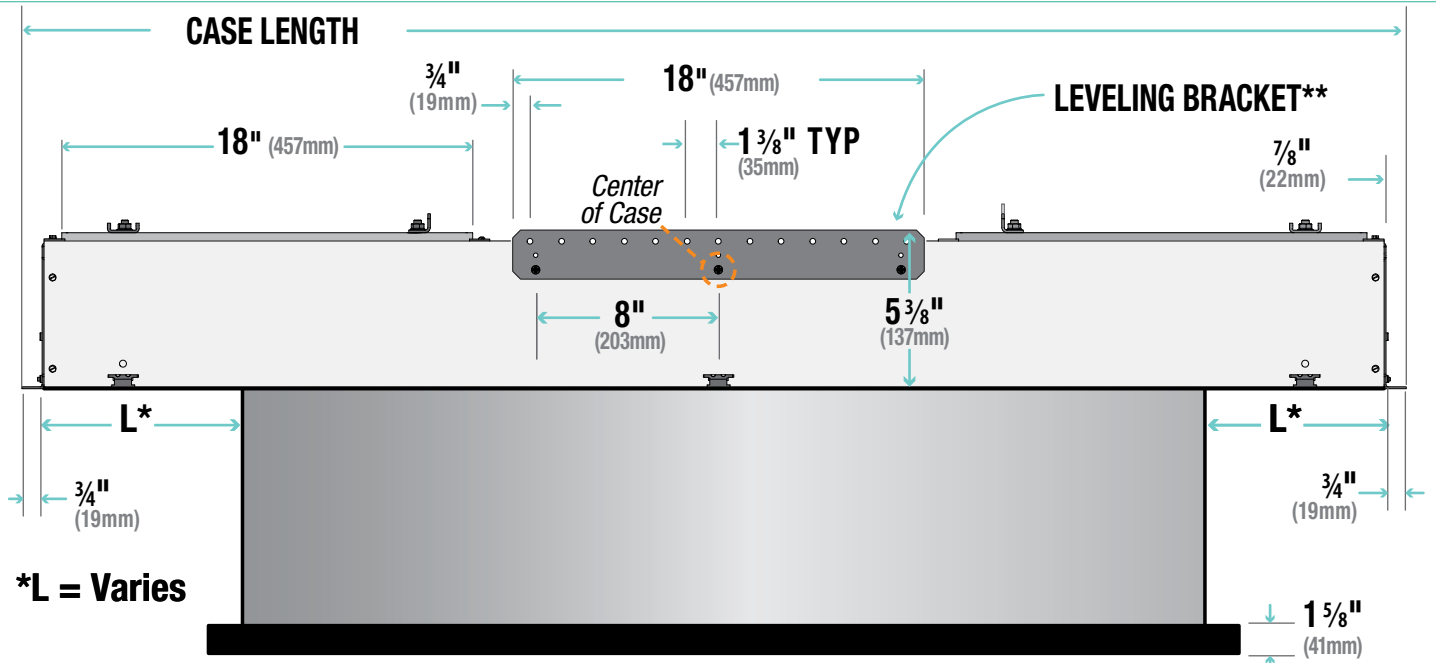
Custom Size

<p>¹ Please note: When ordering a motor with internal low-voltage controller, if case ships separately from "guts," case includes a 25' (7.6 m) cable and special low-voltage switch.</p> <p>^{2,3} For size limitation charts for quiet motors and quiet motors with internal low-voltage controller, see below.</p>					

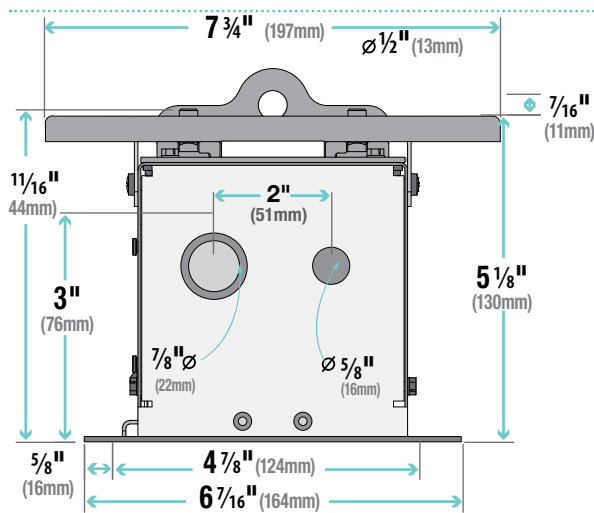
² Quiet Motor Size Limitations:			
16:10	HDTV	NTSC	AV
165"	161"	180"	108" x 144"

³ Quiet Motor w/ Internal LVC Size Limitations			
16:10	HDTV	NTSC	AV
123"	119"	11'	96" x 96"

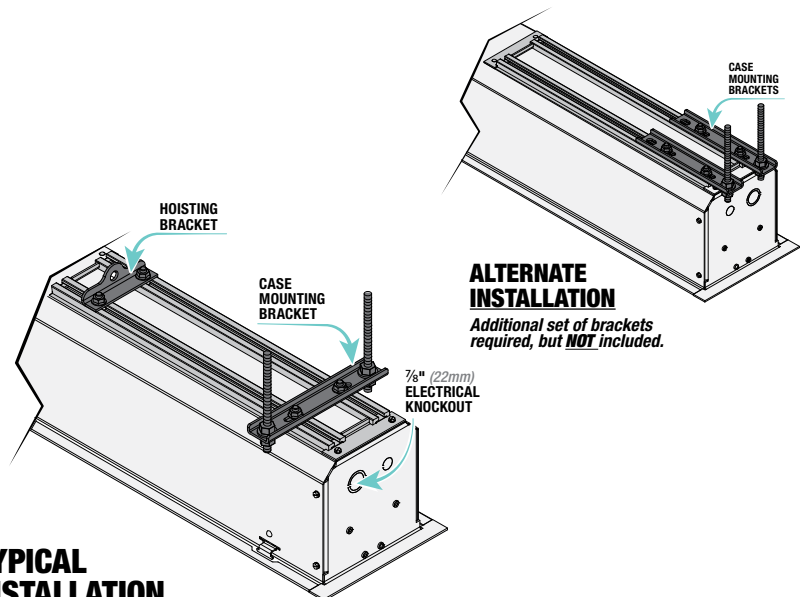
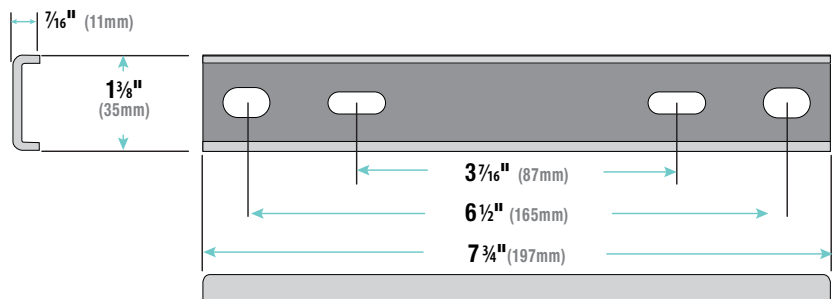
Case Dimensions and Methods of Installation



- For minimum length of ceiling cutout: subtract 1 1/4" (32mm) from case length (measured from outer edge of flanges).
- For minimum width of cutout (front to back): see case width dimensions below.
- **Leveling bracket is used to level the case and should NOT be used to support the weight of the unit.
- The leveling bracket is screwed to the side of the case. Hardware used for leveling provided by others.
- There are several knock-outs in the screen housing to allow the Leveling Bracket to be adjusted laterally up to 16" (40.6cm) in either direction.



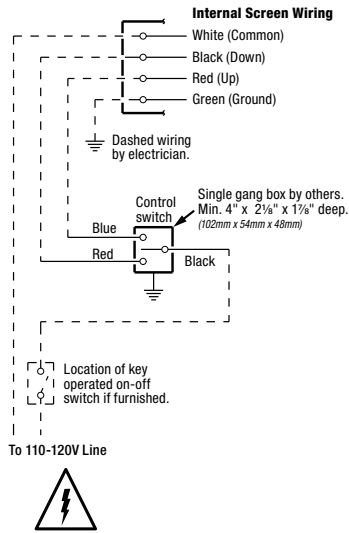
Standard Motor Wiring is on the AUDIENCE LEFT END of Screen Case.



TYPICAL INSTALLATION

With typical installation, brackets may be angled to meet installation requirements.

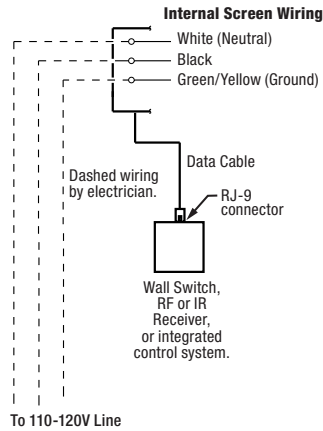
110-120V Motor and Quiet Motor Single Station Control



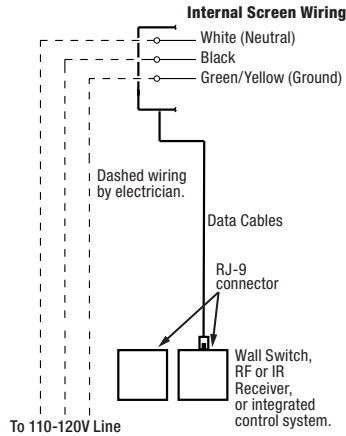
Please Note: For external low-voltage (LVC-IV), serial (LVC-IV), and network (LVC-IV) wiring diagrams, please consult instructions for those modules.

110-120V Motor and Quiet Motor (Internal Low-Voltage Controller)

Single Station Control



Multiple Station Control



PROJECT: _____

ARCHITECT: _____

CONTRACTOR: _____

SUPPLIER: _____

DATE: _____ REVISED: _____