

Installation/Operating Instructions

220V Rolleramic Electric Projection Screen by Draper

These Installation/Operating Instructions are available in the official language of the country where you purchase the product. Please contact your distributor to request a copy.

Vous pourriez demander les instructions d'installation et d'opération traduites dans la langue officielle du pays où vous achetez le produit. Veuillez demander à votre distributeur.

Die Gebrauchsanweisung für Installation und Konstruktion sind in der offiziellen Sprache des Landes, indem Sie das Produkt gekauft haben, vorhanden. Fragen Sie die jeweilige Verkaufs-Abteilung.

⚠ Caution

- ① Read instructions through completely before proceeding.
- ② Follow instructions carefully. Installation contrary to instructions invalidates warranty.
- ③ Do not lift case in center. Lift the ends simultaneously to avoid damage to case and surface.
- ④ Entire bottom of screen case should be unobstructed to permit access to bottom panels for making electrical connections or servicing. Motor end bracket must be located 25-152mm to right of access door. Idler end bracket must be located 25-152mm from right end of case. Failure to mount brackets as directed could cause the case to bow and result in damage to screen.
- ⑤ **Keep case level when lifting and mounting.** Screen should be installed level (using a carpenter's level).
- ⑥ Nothing should be fastened to screen dowel or viewing surface.
- ⑦ Do not touch screen while in motion.
- ⑧ Operating switch (es) packed separately in screen carton. Do not discard with packing material.
- ⑨ Screen operates on 220V AC, 50 Hz., 1 ph. current.

NOTE: Screen has been thoroughly inspected and tested at factory and found to be operating properly prior to shipment.

These instructions are meant as a guide only. They do not imply any responsibility on the part of Draper, Inc. for improper installation or faulty workmanship at the jobsite.

Hanging Screen

General:

When locating viewing surface and checking clearance for screen's operation, remember surface is not centered in screen case: see dimensional drawings on reverse. All installations should observe these important criteria:

- ① Screen should be lifted into position **only by the mounting brackets.**
Keep case level by lifting both ends simultaneously to prevent surface damage. Never attempt to lift screen along its length.
- ② Screen should be positively and securely supported so that vibration or even abusive pulling on viewing surface will not weaken installation.
- ③ Installer must insure that fasteners used are of adequate strength and suitable for the mounting surface.
- ④ Entire bottom of case must be readily accessible after installation is complete. Be sure the access door can open freely for adjustment or service.
- ⑤ Screens through 427 cm wide have 2 mounting brackets; wider screens have 3. These brackets should be located along case to line up with supporting beams or studding and evenly share the screen's weight. Motor end bracket must be located 25-152mm to right of access door. Idler end bracket must be located 25-152mm from right end of case. Failure to mount brackets as directed could cause the case to bow and result in damage to screen.

Please Note: Mount the case using the two end brackets first. If a center bracket is provided, mount it last. The center bracket is designed to prevent sagging of the case, and must be mounted so that it is level with the others and does not force the screen case up.

- ⑥ Make sure the top of the screen case's bottom board at no point touches the roller/viewing surface.
- ⑦ Do not use screen case to support adjacent sections of ceiling.
- ⑧ If trim pieces must be attached to case, do not permit screws to protrude through 19mm (¾") wall of case. Do not attach trim with nails.
- ⑨ If case is painted, viewing surface slot must be shielded to protect viewing surface from paint splatters and overspray.
- ⑩ Do not seal unit in ceiling until electrical connections have been made and screen has been operated successfully. Screen must always be installed level so that fabric will not roll incorrectly or wrinkle.

Please Note: The Rolleramic is not available with the TorqStar Utility Line Set. Wall Installation—

Brackets should fasten to studding or other structural supports within wall.

DRAPER

411 S. Pearl St., Spiceland, IN 47385 USA ■ 765-987-7999

www.draperinc.com ■ fax 765-987-1689
Copyright © 2015 Draper Inc. Form Rolleramic220v_Inst15 Printed in U.S.A.

Suspended Installation—

Chains should be attached to solid beams or rafters above screen. If possible, screen mounting brackets should be positioned so that chains hang vertically. Turnbuckles should be connected between chains and mounting brackets. After screen has been hung, turnbuckles should be adjusted so that screen hangs level and chains share screen's weight equally.

Recessed Installation—

Recess should be constructed to fit screen case with brackets (see "Screen dimensions" on back of this sheet). Design recess so that entire bottom of screen case is unobstructed to permit access to bottom panel, screen roller and surface for servicing if required.

Electrical Connections

Screen operates on 220V AC, 50 Hz. 1 ph. AC current. Junction box is located inside left end of case, behind bottom access door (see drawing, on reverse). Junction box contains brown, black and blue pigtail leads and green internal ground wire, per wiring diagram on reverse. Screens are shipped with internal wiring complete, with all switches (fully boxed) and a wiring diagram. Wire connecting screen to switch (or switches) and switch to power supply should be supplied by installer. Wires should be connected following the wiring diagram provided, and all wiring should comply with local and national electrical codes. All operating switches should be "Off" before power is connected.

Operation

Remove all packing before attempting to operate screen. When screen is first operated, be cautious! Cycle unit down and up several times to confirm satisfactory operation.

220V Single Station Control — 3-position up-off-down switch permits operation to be stopped at any point. Factory set limit switches automatically stop screen when fully down or fully up.

220V Multiple Station Control—(Not CE approved) Switches are similar in appearance to 220V Single Station Control. Screen stops when switch is released and may be restarted in either direction. Factory set limit switches stop screen automatically when fully down or fully up.

24V Control — Three-button up-stop-down switches stop at any point desired, operate in any sequence. Factory set limit switches automatically stop screen when fully down or fully up.

Key Operated Switching — (Not CE approved) Two kinds of key-operated switches are optionally available with this unit. ① The key-operated power supply switch controls power to the screen and switches. When it is "off", the switches will not operate screen. Key may be removed from the switch in either "on" or "off" position. ② A three-position key switch permits the screen to be operated directly by key. In this case, the screen's operator must always have a key.

RS232/Ethernet—Serial communication and network communication optionally available with wall switches, RF or IR remote.

Adjustments

Please Note: Screen limits are factory set for optimum performance of the screen. A procedure is outlined below for minor tweaks, but any adjustment of these limits may negatively affect the flatness of the screen surface and could also void the warranty. Please check with Draper prior to resetting screen limits.

⚠ CAUTION: Always be prepared to shut screen off manually when new adjustment is being tested. Screen may be severely damaged if viewing surface is allowed to run too far up or too far down.

⚠ CAUTION: Be sure all switches are in "off" position before adjusting limit switches.

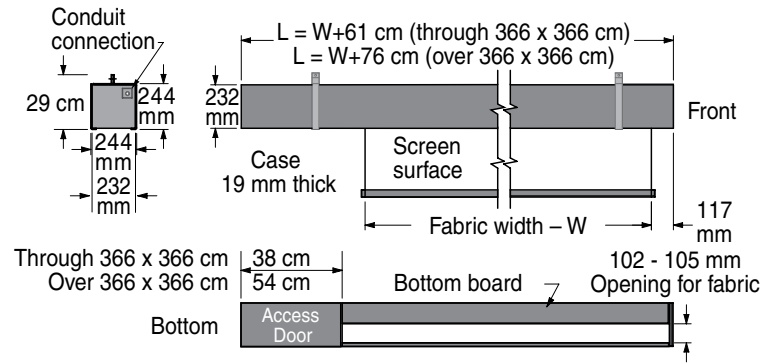
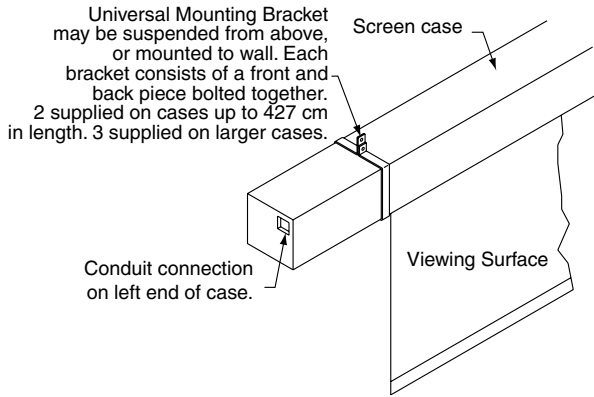
⚠ CAUTION: Do not loosen coupling setscrews from the roller shaft, or the screen surface will rapidly unroll and fall. If setscrew must be loosened actions should be taken to prevent the roller from turning.

Adjusting "fully up" position — "Up" limit switch is located on right side of limit switch assembly, immediately behind access door to case. Right hand, hex head machine screw contacts limit switch button to shut screen off. Turning this machine screw clockwise will allow surface to run farther up into case. Turning it counterclockwise will cause screen to stop sooner, farther out of the case.

Adjusting "fully down" position — "Down" limit switch is located on left side of limit switch assembly, immediately behind access door to case. Left hand, hex head machine screw contacts limit switch button to shut screen off. Turning this machine screw clockwise will allow surface to run farther down before stopping. Turning it counterclockwise will cause screen to stop in a less extended position. At no time should fabric be unrolled far enough to expose any part of screen roller. Make all adjustments in small increments, and be sure nut on machine screw is tight against steel limit switch support before closing access door.

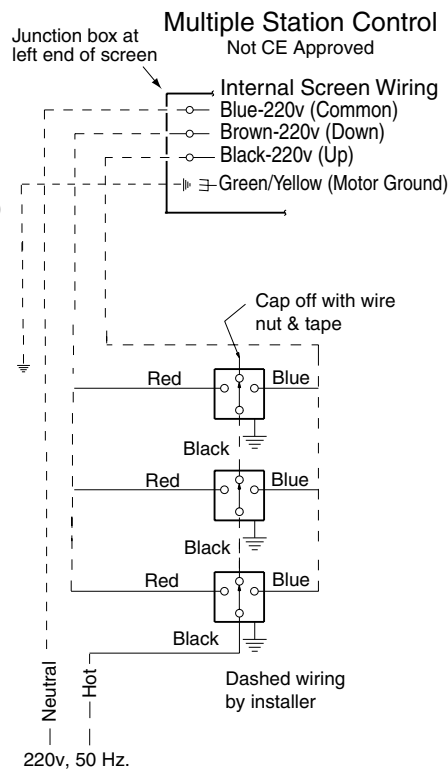
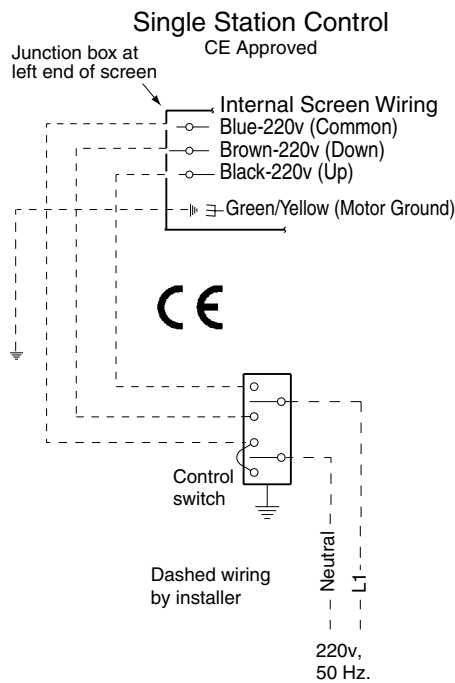
If you encounter any difficulties installing or servicing your Rolleramic screen, call your dealer or Draper, Inc., Spiceland, Indiana, (765) 987-7999 or fax (765) 987-1689.

Rolleramic Case Dimensions and Methods of Installation



Wiring Diagrams

Please Note: Do not wire motors in parallel.



Low Voltage and Remote Control

