

Installation/Operating Instructions

Envoy Electric Projection Screen by Draper

⚠ Caution

- ① Read instructions through completely before proceeding.
 - ② Follow instructions carefully. Installation contrary to instructions invalidates warranty.
 - ③ Do not lift case in center. Lift the ends simultaneously to avoid damage to case and surface.
 - ④ Before removing screen from crate, check for damage and to make sure all parts are included.
 - ⑤ Entire bottom of screen case should be unobstructed to permit proper operation of automatic trap door, and access to bottom panel for making electrical connections or servicing.
 - ⑥ Screen should be installed level (using a carpenter's level).
 - ⑦ Nothing should be fastened to screen dowel, viewing surface or automatic trap door.
 - ⑧ Operating switch(es) packed separately in screen carton. Do not discard with packing material.
 - ⑨ Screen operates on 110-120V, 60 Hz., 1.1 amp current draw.
- NOTE:** Screen has been thoroughly inspected and tested at factory and found to be operating properly prior to shipment.

These instructions are meant as a guide only. They do not imply any responsibility on the part of the manufacturer for improper installation or faulty workmanship at the jobsite.

Hanging Screen

General:

When locating viewing surface and checking clearance for screen's operation, remember surface is centered in case. Screen is normally recessed above ceiling and may be installed in a variety of ways. See typical installation detailed on page 2. Regardless of mounting method used, the following points apply:

- ① **Screen should be lifted into position only by the end mounting brackets. Keep case level by lifting end plates simultaneously to prevent surface damage. Draper provides eyebolts to use in hoisting the screen. Never attempt to lift screen along its length.**
- ② Screen should be positively and securely supported so that vibration or even abusive pulling on viewing surface will not weaken installation.
- ③ Installer must insure that fasteners used are of adequate strength and suitable for the mounting surface chosen.
- ④ Entire bottom of case must be readily accessible after installation is complete.
- ⑤ Hinge on bottom board and particularly hinge on automatic trap door of screen must be permitted to operate freely. Front and back of case must be straight—not forced to warp or bow. Hinges must be free from mastic or paint buildup, and doors must be unobstructed by ceiling tiles.
- ⑥ Do not use screen case to support adjacent sections of ceiling.
- ⑦ If trim pieces must be attached to case, do not permit screws to protrude through 3/4" wall of case. Do not attach trim with nails.
- ⑧ If case is painted, slots around doors should be shielded to protect viewing surface from paint splatters or overspray.
- ⑨ Do not seal unit in ceiling until electrical connections have been made and screen has been operated successfully.

Electrical Connections

Screen operates on 110-120V, 60 Hz., 1.1 amp current draw. Duty Cycle: ON 28 seconds /OFF 4 minutes.

Junction box is located just above bottom board near left end of screen. Bottom board is held closed with flathead screws and may be opened with a Phillips screwdriver. Automatic trap door is held shut by viewing surface and must not be forced open. Removal of junction box cover plate exposes red, black and white pigtail leads and green internal ground wire per wiring diagram attached. Screen is shipped with internal wiring complete and control switch(es) fully boxed. Wire connecting screen to switch(es) and switch(es) to power supply should be furnished by installer. Connections should be made in accordance with attached wiring diagram, and wiring should comply with National and local electrical codes. **All operating switches should be "off" before power is connected.**

Operation

When screen is first operated, be cautious! If automatic trap door does not drop open immediately when switch is flipped "down", return switch to "off" and free trap door and/or recheck electrical connections before proceeding. Cycle unit down and up several times to confirm satisfactory operation.

110-120V Single Station Control — 3-position up-off-down switch permits operation to be stopped at any point. Factory adjusted limit switches automatically stop screen when fully down or fully up.

110-120V Multiple Station Control — Switches are similar in appearance to 110-120v Single Station Control. Screen stops when switch is released and

may be restarted in either direction. Factory adjusted limit switches stop screen automatically when fully down or fully up.

24V Control — Three-button up-stop-down switches stop at any point desired, operate in any sequence. Factory adjusted limit switches automatically stop screen when fully down or fully up.

Key Operated Switching — Two kinds of key-operated switches are optionally available with this unit. ① The key-operated power supply switch controls power to the screen and switches. When it is "off", the switches will not operate screen. Key may be removed from the switch in either "on" or "off" position. ② A three-position key switch permits the screen to be operated directly by key. In this case, the screen's operator must always have a key.

RS232/Ethernet — Serial communication and network communication optionally available with wall switches, RF or IR remote.

Limit Adjustments

Please Note: Screen limits are factory set for optimum performance of the screen. A procedure is outlined below for minor tweaks, but any adjustment of these limits may negatively affect the flatness of the screen surface and could also void the warranty. Please check with Draper prior to resetting screen limits.

⚠ CAUTION: Always be prepared to shut screen off manually when new adjustment is being tested. Screen may be severely damaged if viewing surface is allowed to run too far up or too far down.

⚠ CAUTION: Be sure all switches are in "off" position before adjusting limit switches.

The motor limit screws are normally located on the audience left of screen roller.

"DOWN" LIMIT ADJUSTMENT

To Reduce Screen Drop

- ① Raise screen surface about 1' above desired setting and turn off.
- ② Turn the DOWN limit screw (White or (I)) clockwise (three screw turns = 1/2 roller revolution).
- ③ Test by running screen down and repeat steps 1 and 2 until desired position is reached.

To Increase Screen Drop

- ① Run screen to the down limit.
- ② With the down switch on, turn the DOWN limit screw (White or (I)) limit screw counterclockwise (three screw turns = 1/2 roller revolution) to increase drop.
- ③ Test by running screen up about 1' and back down to new down limit.
- ④ Repeat steps 2 and 3 until desired position is reached.

"UP" LIMIT ADJUSTMENT

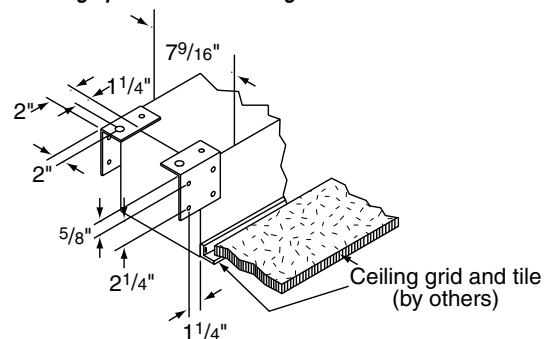
Screen is Running Too Far Up

- ① Lower screen surface about 1' below desired setting and turn off.
- ② Turn the UP limit screw (Yellow or (II)) clockwise (three screw turns = 1/2 roller revolution).
- ③ Test by running screen up.
- ④ Repeat steps 1 through 3 until desired position is reached.

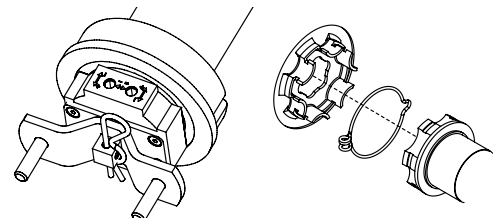
Screen Needs to Run Up More

- ① Run screen down about 1' and turn off.
- ② With the up switch on, turn the UP limit screw (Yellow or (II)) limit screw counterclockwise (three turns of screw = 1/2 roller revolution).
- ③ Repeat steps 1 and 2 until desired position is reached.

⚠ CAUTION: Do NOT allow the dowel to wrap up over the roller when the screen is running up! This could damage the screen.



⚠ Caution: Do not remove the roller assembly from the case unless necessary for repairs. If the roller assembly is removed, be sure motor is fully re-seated in the bracket, and re-secure it carefully with the motor retaining spring or retaining clip, whichever is provided (see diagram below).



DRAPER

411 S. Pearl St., Spiceland, IN 47385 USA ■ 765-987-7999

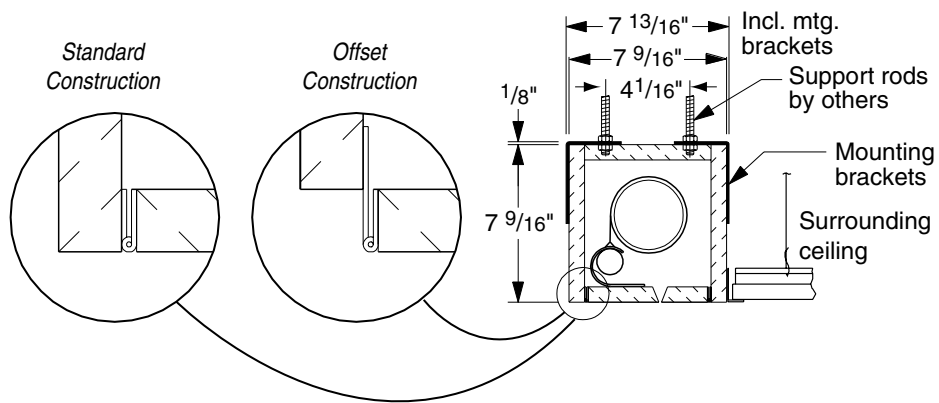
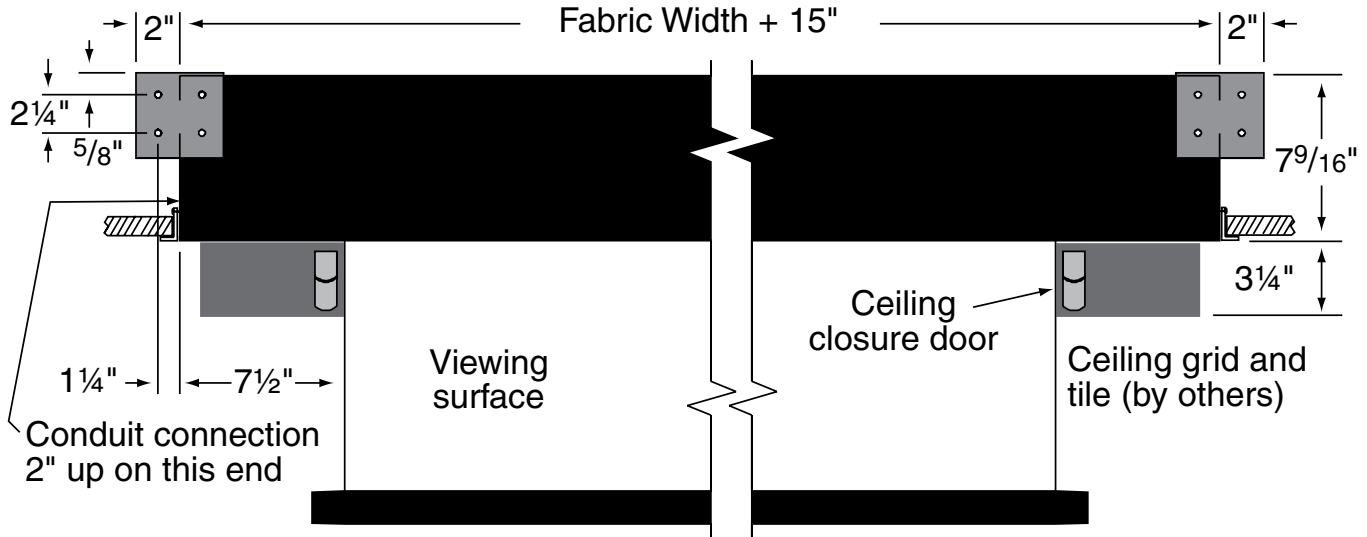
www.draperinc.com ■ fax 765-987-7142

Copyright © 2015 Draper Inc. Form Envoy_Inst15

Printed in U.S.A.

If you encounter any difficulties installing or servicing your Envoy screen, call your dealer or Draper, Inc., Spiceland, Indiana, (765) 987-7999 or fax (765) 987-7142.

Case Dimensions/Method of Installation



Limit Adjustments (Low Voltage Motors with Internal Low Voltage Controller)

Please Note: Screen limits are factory set for optimum performance of the screen. A procedure is outlined below for minor tweaks, but any adjustment of these limits may negatively affect the flatness of the screen surface and could also void the warranty. Please check with Draper prior to resetting screen limits.

CAUTION: Always be prepared to shut screen off manually when new adjustment is being tested. Screen may be severely damaged if viewing surface is allowed to run too far up or too far down.

CAUTION: Be sure all switches are in "off" position before adjusting limit switches.

- Connect the ILT switch to the motor via the terminal blocks, or via the modular port using four conductor modular cable. When using modular cable, the cable connectors MUST NOT be crimped in reverse, as with standard telephone cable. **(For a Dry Contacts Wiring Diagram, see page 4.)**
- Set the slide switch to the lower position. Press and hold the DOWN button on the switch to move the viewing surface to the desired lower limit. If the screen moves in the opposite direction, release the DOWN button and press and hold down the STOP button for four seconds. This will reverse the operation of the UP and DOWN switches.
- Move slider switch into center position. Wait a couple of seconds.

Please Note: If you move the slider switch from down to up in one motion it sets the two limits in the same position.

- Set the slide switch to the higher position. Move the viewing surface to desired upper limit by pressing and holding the UP button on wall switch.
- Return the slide switch to the center position to return to normal operation.
- To set the viewing surface to an alternate format position, move the viewing surface to the desired position and press the STOP button. Press and hold the STOP button for at least three seconds to record the position.

Please Note: Pressing and releasing the UP button on the switch will move the screen to its upper limit. Pressing and releasing the DOWN button will move the screen to its lower limit.

While the motor is in motion, pressing the STOP button for less than two seconds will stop the viewing surface at its present position.

Once the motor is stopped, pressing the STOP button will move the viewing surface to its alternate format position.

Pressing and holding the STOP button, when the motor is at rest or in motion, for at least three seconds will record a new alternate format position.

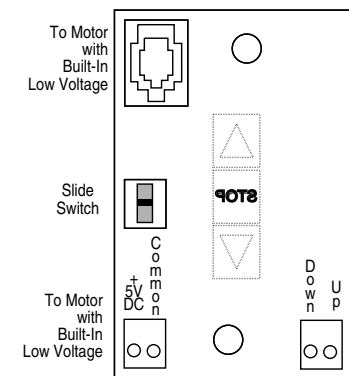


Figure 11

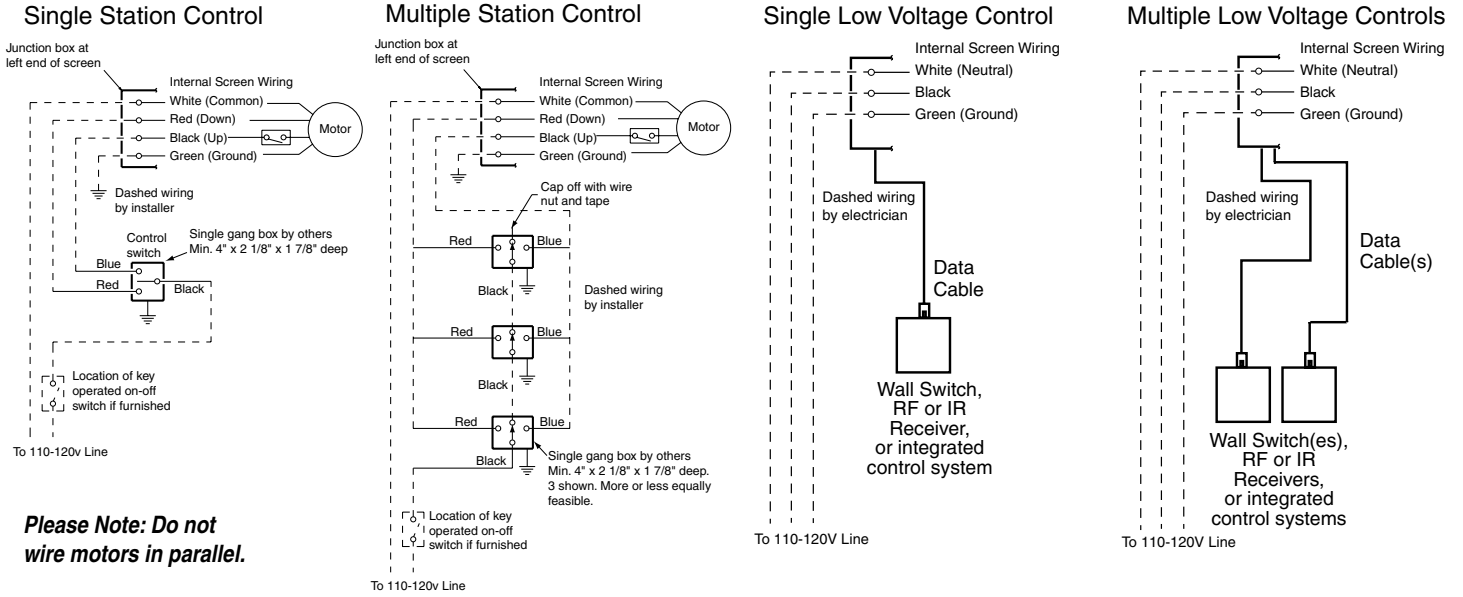
Please Note: 5V DC must be connected to be able to set limits using the wall switch.

| POSITION | FUNCTION |
|----------|------------------|
| DOWN | Set LOWER limit |
| UP | Set UPPER limit |
| CENTER | Normal Operation |

Please note: When ordering a motor with internal Low Voltage Controller, if the case ships separate from the "guts," the case includes the 25' cable and special low voltage switch.

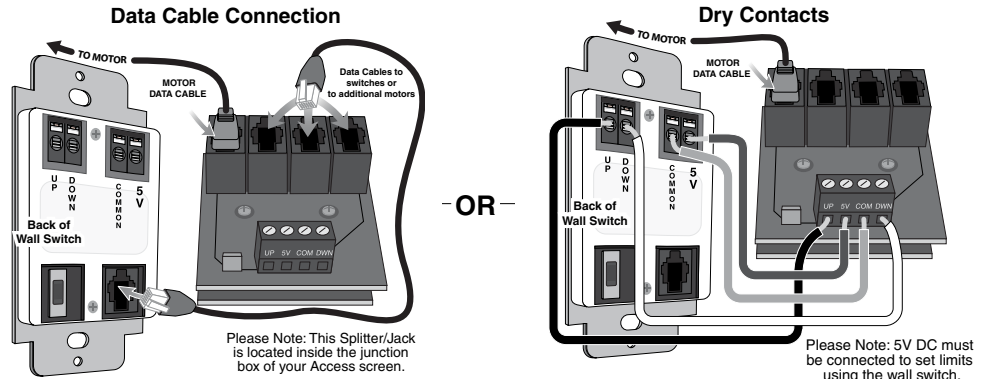
Wiring Diagrams

110-120V Motor and Quiet Motor with Built-in Low Voltage Controller

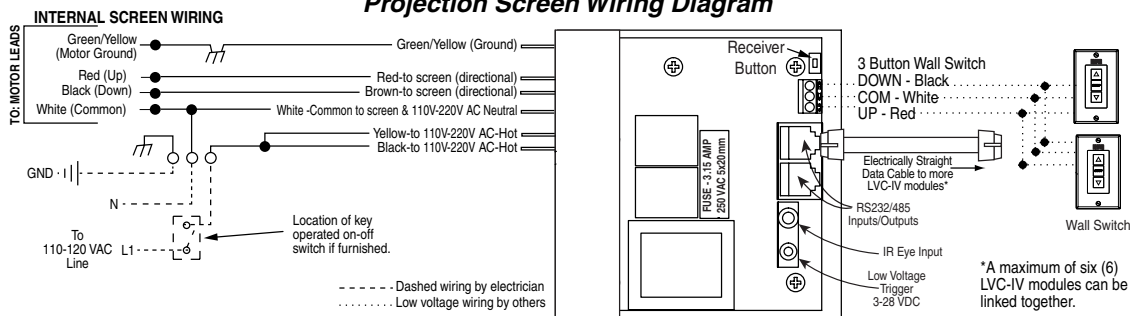


Please Note: Do not wire motors in parallel.

Connecting Switch to Motor with Internal Low Voltage Controller



Built In LVC-IV - Single or Multiple Projection Screen Wiring Diagram



External LVC-IV - Single or Multiple Projection Screen Wiring Diagram

