

Installation/Operating Instructions

Baronet/HW 110V and 220V Electric Projection Screen by Draper

These Installation/Operating Instructions are available in the official language of the country where you purchase the product. Please contact your distributor to request a copy.

Vous pourriez demander les instructions d'installation et d'opération traduites dans la langue officielle du pays où vous achetez le produit. Veuillez demander à votre distributeur.

Die Gebrauchsanweisung für Installation und Konstruktion sind in der offiziellen Sprache des Landes, indem Sie das Produkt gekauft haben, vorhanden. Fragen Sie die jeweilige Verkaufs-Abteilung.

⚠ Caution

Read instructions through completely before proceeding.
Follow instructions carefully. Installation contrary to instructions invalidates warranty.
Screen should be accessible for complete removal should fabric become damaged or should other service be required.
Screen should be installed level (using a carpenter's level).
Nothing should be fastened to screen dowel or viewing surface.
Operating switch(es) packed separately in screen carton. Do not discard with packing material.
Screen operates on 110-120V AC, 60 Hz. or 220V AC, 50 Hz. or 60 Hz. current, depending on model ordered.

NOTE: Screen has been thoroughly inspected and tested at factory and found to be operating properly prior to shipment.

Hanging Screen

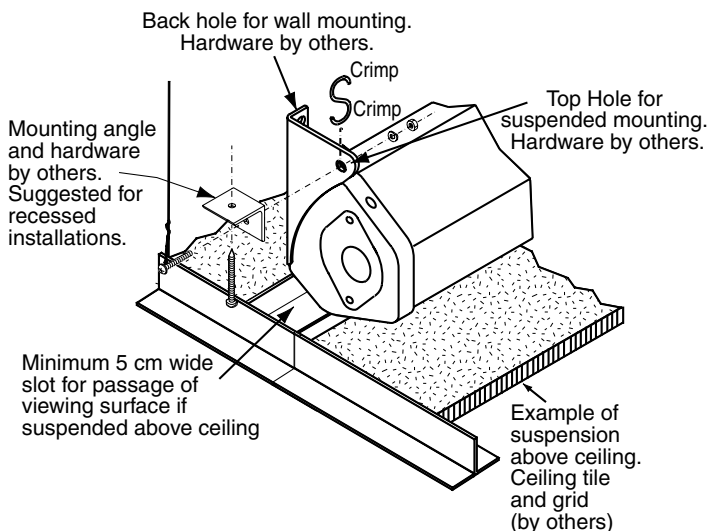
General:

When locating viewing surface and checking clearance for screen's operation, remember surface is centered in case. Handle case carefully to protect its finish.

Regardless of mounting method, screen should be positively and securely supported so that vibration or even abusive pulling on the viewing surface will not cause case to work loose or fall. Installer must insure that fasteners used are of adequate strength and suitable for mounting surface chosen.

Suspended Installation:

Suspend screens from holes in top of endcaps as shown. "S" hooks, chains (or cable) and turnbuckles should be provided by installer. "S" hooks should go through the front holes on the endcaps (see drawing below), and both ends of the "S" hooks should be crimped for additional safety. Chains should be attached to beams or other structural members. Turnbuckles should be adjusted so screen hangs level.



Wall Installation:

Mount screen through holes in back of endcaps as shown. Installer should furnish appropriate hardware as required.

Recessed Installation:

Recess should permit access for removal of screen if necessary. Screen may be mounted as in suspended or wall installation. Angles may be used (provided by others).

Electrical Connections

Screen operates on 110-120V AC, 60 Hz./220V AC, 50 Hz. or 60 Hz. current, depending on model ordered. Duty Cycle: On 26 seconds/off 3 minutes.

Junction box is located inside left endcap and cover plate is secured to endcap with two screws. Junction box contains pigtail leads and grounding screws, per wiring diagram on reverse.

Screen is shipped with internal wiring complete and control switch(es) fully boxed. Wire connecting screen to switch(es) and switch(es) to power supply should be furnished by installer. Connections should be made in accordance with attached wiring diagram, and wiring should comply with National and local electrical codes.

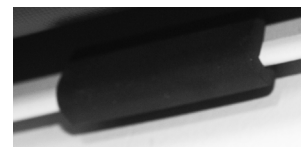
All operating switches should be "off" before power is connected. Do NOT wire motors in parallel.

Operation

Before operating screen, remove small foam pieces which keep dowel in case during shipping.



Front



Rear

Screen is equipped with a 3-position operating switch, located on the power cord. To lower the screen, move switch down. Screen will stop automatically when lower limit switch is reached. To raise the screen, move switch up. Again, the screen will stop automatically when the upper limit switch is reached. The screen may be stopped in any intermediate position by moving the switch to the center "off" position during operation. **110-120V/220V Single Station Control** — 3-position up-off-down switch permits operation to be stopped at any point. Factory adjusted limit switches automatically stop screen when fully down or fully up. 220V version is CE certified.

110-120V/220V Multiple Station Control—Switches are similar in appearance to 110V/220V Single Station Control. Screen stops when switch is released and may be restarted in either direction. Factory adjusted limit switches stop screen automatically when fully up or fully down.

24V Control — Three-button up-stop-down switches stop at any point desired, operate in any sequence. Factory adjusted limit switches automatically stop screen when fully up or fully down.

Key Operated Switching — Two kinds of key-operated switches are optionally available with this unit. ① The key-operated power supply switch controls power to the screen and switches. When it is "off", the switches will not operate screen. Key may be removed from the switch in either "on" or "off" position. ② A three-position key switch permits the screen to be operated directly by key. In this case, the screen's operator must always have a key.

RS232/Ethernet—Serial communication and network communication optionally available with wall switches, RF or IR remote.

Adjustments


Please Note: Screen limits are factory set for optimum performance of the screen. Any adjustment of these limits could void the warranty. Please check with Draper prior to resetting screen limits.

⚠ CAUTION: Always be prepared to shut screen off manually when new adjustment is being tested. Screen may be severely damaged if viewing surface is allowed to run too far up or too far down.

⚠ CAUTION: Be sure all switches are in "off" position before adjusting limit switches.

"Down" limit switch: Down stopping position can be adjusted by turning white knob with a screw driver or hex wrench. Turning knob counterclockwise will allow viewing surface to run farther down. Turning it clockwise will reduce the amount of exposed viewing surface.

"Up" limit switch: Up stopping position can be adjusted by turning red knob with a screw driver or hex wrench through the small grommet. Turning knob counterclockwise will allow surface to run farther into screen case. Turning it clockwise will allow viewing surface to stop farther out of screen case.

Baronet/HW 110-120V
AC version is certified by
 Underwriters' Laboratories, Inc.,
for the U.S. and Canada.

CE Baronet/HW220V AC
version is CE certified.

DRAPER

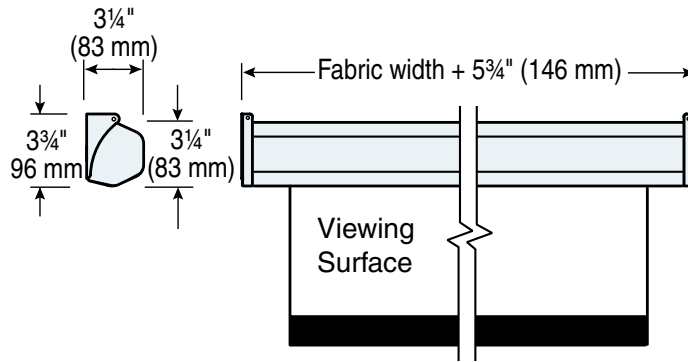
411 S. Pearl St., Spiceland, IN 47385 USA ■ 765-987-7991

www.draperinc.com ■ fax 765-987-1689

Copyright © 2015 Draper Inc. Form BaronetHW_Inst15 Printed in U.S.A.

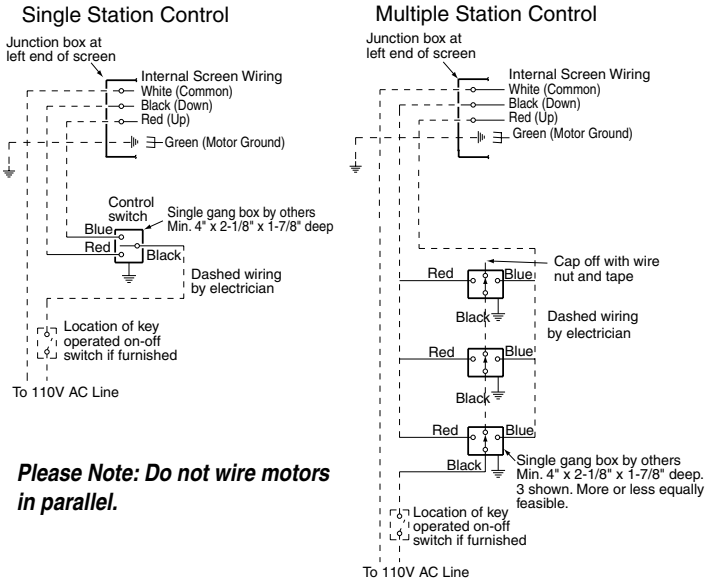
If you encounter any difficulties installing or servicing your Baronet/HW screen, call your dealer or contact Draper, Inc., Spiceland, Indiana, +1 765-987-7999 or fax +1 765-987-1689.

Case Dimensions



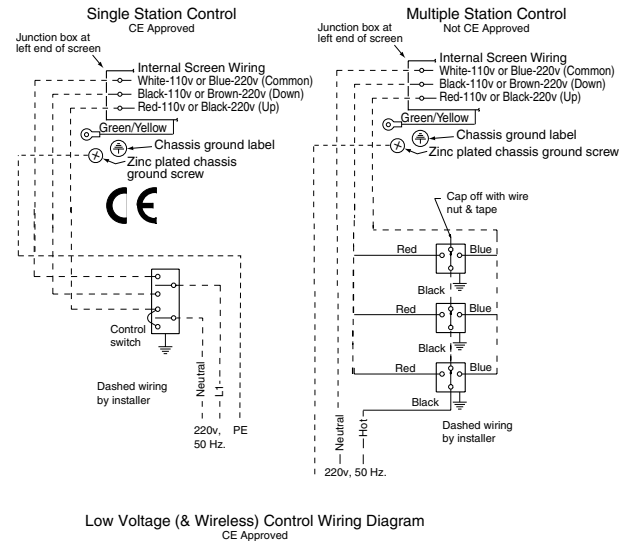
Wiring Diagrams

Baronet/HW 110V AC



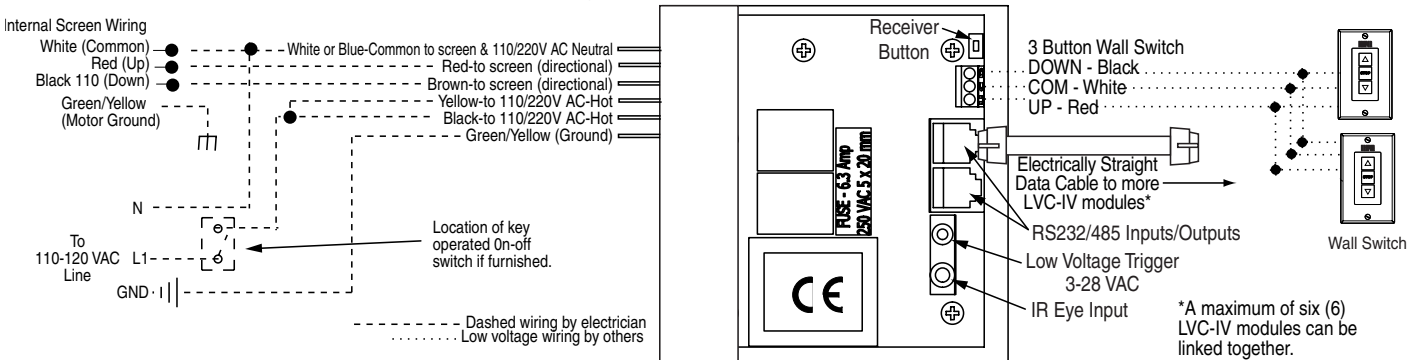
Please Note: Do not wire motors in parallel.

Baronet/HW 220V AC (CE)

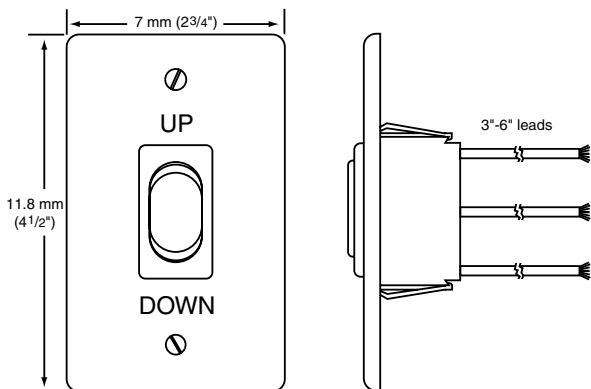


Low Voltage (& Wireless) Control Wiring Diagram
CE Approved

Low Voltage, IR Remote or RF Remote (LVC-IV)



110-120V 3-Position Wall Switch



220V 3-Position, Surface Mount Wall Switch

