

Installation/Operating Instructions

Access/Series M Projection Screen by Draper

US Patent Nos.
6,532,109;
6,816,308;
7,559,707

Caution

- ① Read instructions through completely before proceeding.
 - ② Follow instructions carefully. Installation contrary to instructions invalidates warranty.
 - ③ Entire bottom of screen case should be unobstructed to permit access to bottom panel for servicing.
 - ④ Screen should be installed level (using a carpenter's level).
 - ⑤ Nothing should be fastened to screen dowel or viewing surface.
- NOTE:** Screen has been thoroughly inspected and tested at factory and found to be operating properly prior to shipment.

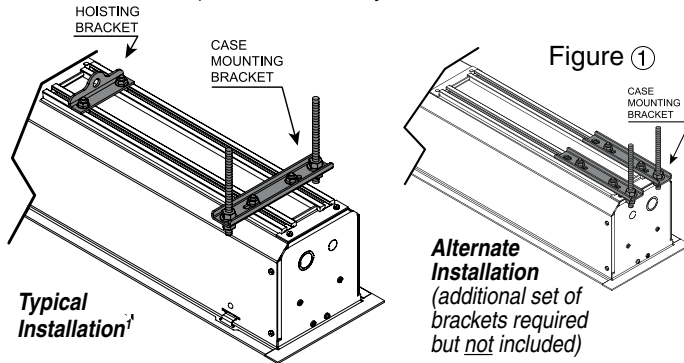
Hanging Screen

When locating viewing surface and checking clearance for screen operation, remember surface is centered in the length of the case. Regardless of mounting method used, the following points apply:

- ① Mounting brackets are shipped attached to the case. Engage each bracket with top of housing as shown below and tighten set screws.
- ② Screen should be positively and securely supported so that vibration or even abusive pulling on viewing surface will not weaken installation.

Please Note: A Hoisting Bracket is included on each end of the case to aid in overhead installation of the Access case.

- ③ Installer must insure that fasteners used are of adequate strength and suitable for the mounting surface chosen. Supporting hardware (chains, cables, $\frac{3}{8}$ " rods, etc.) must be essentially vertical.

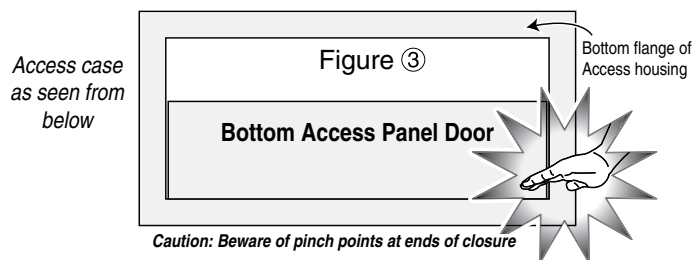


¹With typical installation, brackets may be angled to meet installation requirements.

- ④ Entire bottom of case must be readily accessible after installation is complete.
- ⑤ Front, back and top of case must be straight—not forced to warp or bow.
- ⑥ If case is painted on location, removal of roller/fabric assembly is recommended prior to painting. If not removed, slot on bottom of case should be shielded to protect viewing surface from paint splatters and overspray.

Bottom Access Panel Installation/Removal

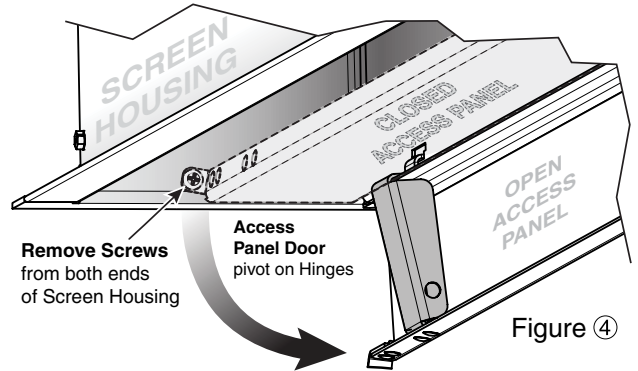
Bottom access panel is secured to the screen housing by two screws (one on each end), and is held in the closed position by engagement brackets with ball detents that snap into case support brackets.



To remove the Access Panel:

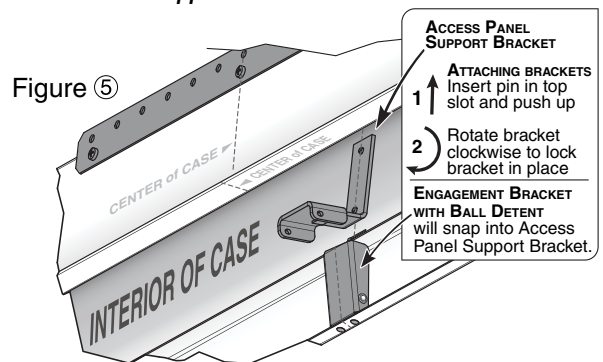
- ① Remove screws from both ends of screen housing (Fig. 4).
- ② Pull down on the access panel until the ball detents on the engagement bracket have disengaged from the support bracket.
- ③ Repeat Step ② for all brackets along the length of the screen housing.
- ④ The access panel will be free to pivot downward. It will remain attached to the lower inside edge of the screen housing by several steel hinges.

Caution: For larger sizes Step ⑤ requires two people to perform safely.



- ⑤ Press up on access panel and pull toward the front of the screen housing to disengage hinges and remove access panel.

To Remove/Install Support Brackets:



Spring Roller/Fabric Installation

The bottom access panel must be removed first.

The spear end mounting bracket has rectangular openings for accepting roller spear. Back out the four set screws in bracket until they are flush with top side of bracket.

To engage the spear end bracket flange above the two channels in the top of the screen housing, rotate the bracket approximately 45° counterclockwise to allow the top surface of the motor bracket to rest flat against the top inside of the housing. Rotating the bracket clockwise until it is engaged with the channels, slide it along the length of the housing toward the left end of housing, leaving approximately $\frac{3}{4}$ " clearance between bracket and endcap. Tighten the four set screws on the bracket flange using $\frac{1}{8}$ " hex key.

Engage the idler end bracket (nylon bushing) in the same manner as the spear end bracket and slide it toward the opposite end of the screen housing. Do not tighten the set screws on this bracket until the roller/fabric assembly is installed.

Locate the roller/fabric assembly and remove the retaining clip and flat washer from the idler end pin, and remove retaining clip from the spear. Remove brackets from roller.

NOTE: This may require two people to perform safely. Raise the roller/fabric assembly up into the screen housing and engage the spear of the roller completely into the spear mounting bracket.

If roller is $1\frac{3}{4}$ " diameter, there will be an **arrow** imprinted on the spring end of the roller. **This arrow must be pointing UP**, and you must use the **slot closest to the edge of the bracket**.

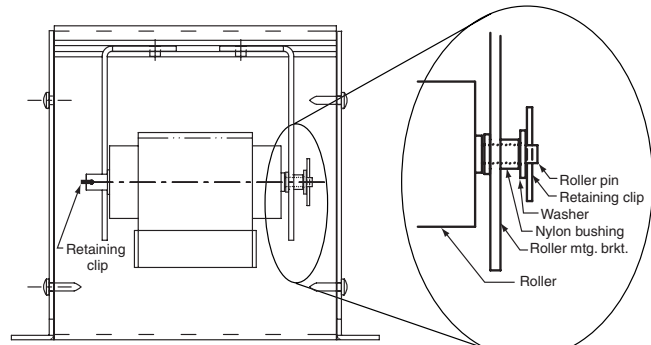
DRAPER

If roller is $2\frac{1}{4}$ " or 3" diameter, there will be a **notch** cut out on the spring end of the roller. **This notch must be pointing DOWN**, and you must use the **appropriate slot**.

Install the retaining clip on the spear, locking spear and bracket together. While supporting the idler end of the roller, slide the idler end mounting bracket toward the roller. Insert the roller pin into the nylon bushing on the idler end mounting bracket.

The roller idler pin needs to go through the idler bracket far enough to allow the washer and retaining clip to be reinstalled on the pin. Failure to replace the washer and retaining clip as shown could result in the separation of the roller from the brackets.

Securely tighten the four set screws on the idler end mounting bracket. Reinstall the bottom access panel as previously described.



Spring Roller/Fabric Removal

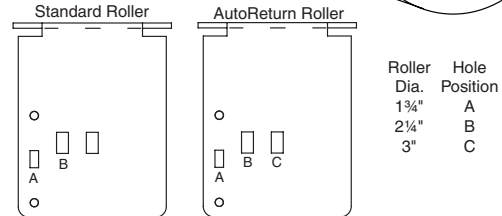
Reverse the instructions above "Spring Roller/Fabric Installation" for removal of the unit.

Operating Instructions—Standard

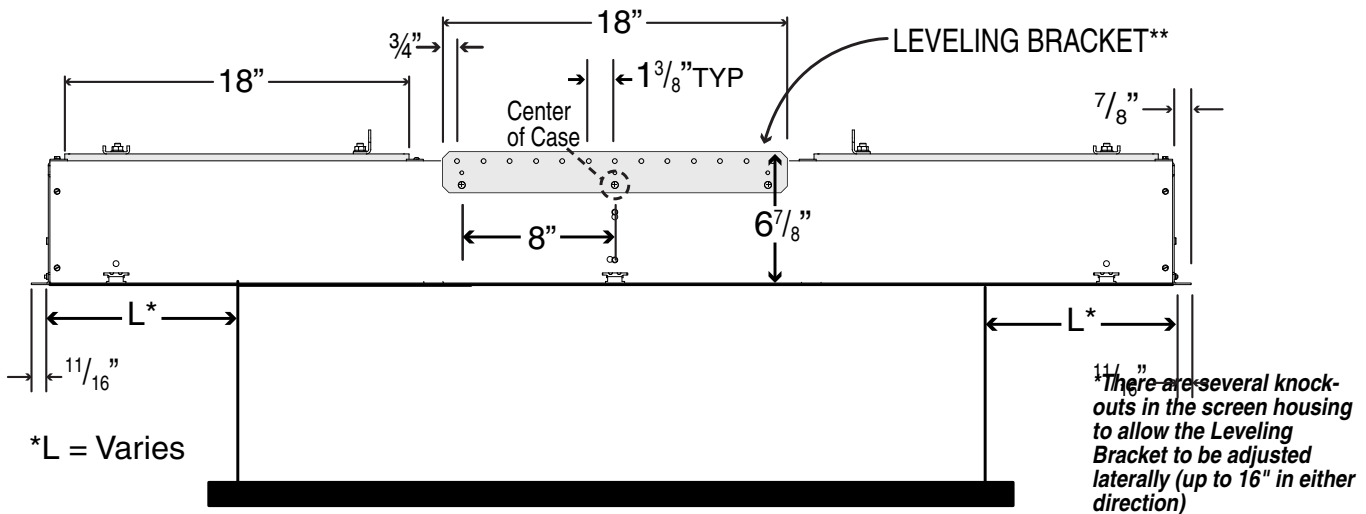
To lower picture surface, pull screen down. *Hesitate*—then allow screen to retract *very slowly* until it locks in place.
To raise picture surface, pull screen down and, while holding, allow for slow retraction into the case to reduce risk of injury from falling screen.

Operating Instructions—AutoReturn

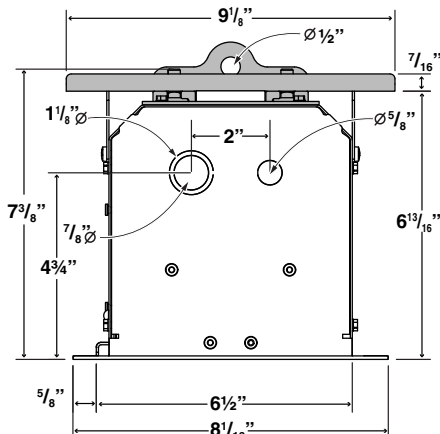
To lower picture surface, pull screen down. *Hesitate*—then allow screen to retract *very slowly* until it locks in place.
To raise picture surface, pull screen down gently until it stops, then release.



Case Dimensions



For ceiling cutout subtract $1\frac{1}{2}$ " from case length and width (measured from outer edge of flanges).



Mounting Bracket Dimensions

