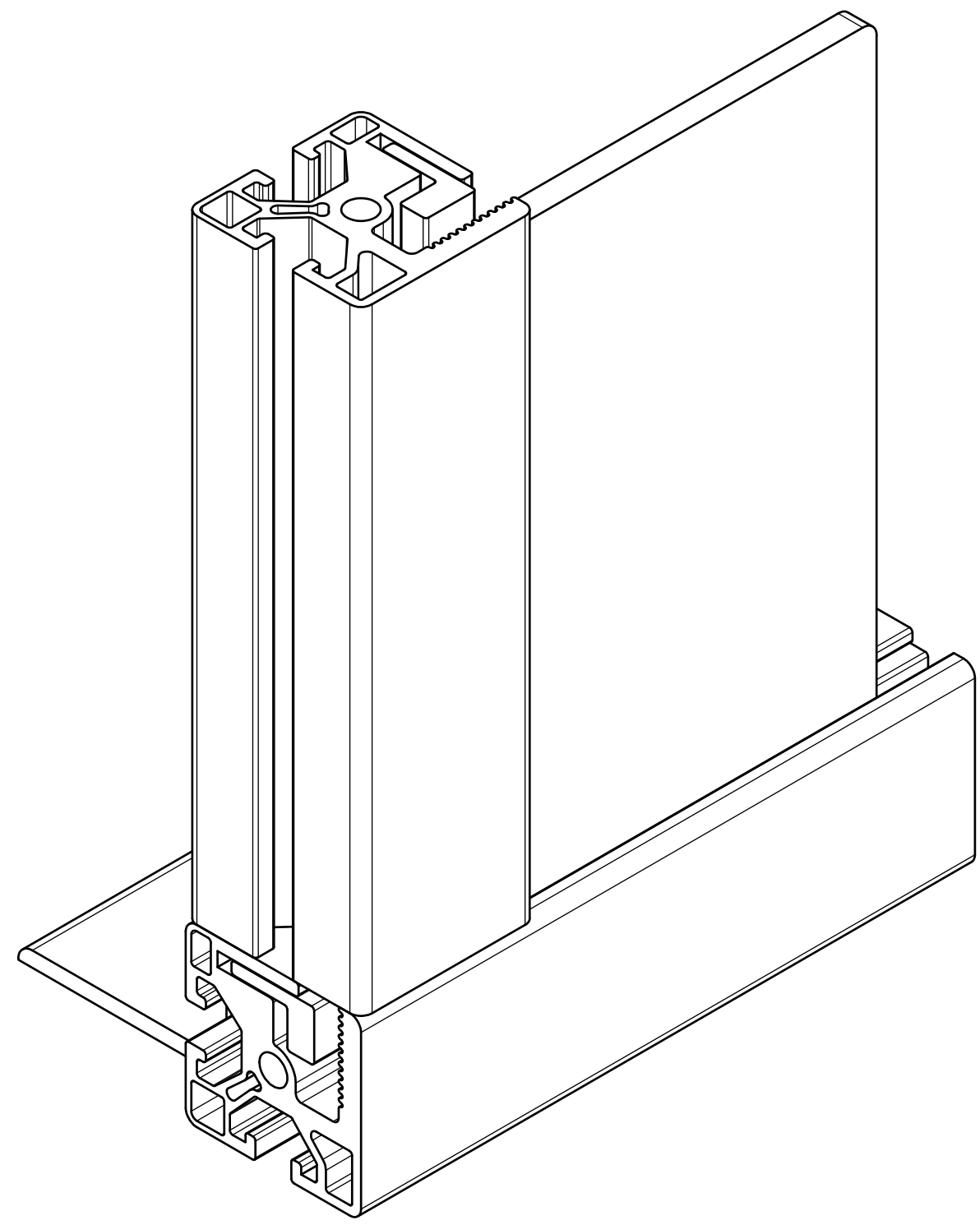


TYPICAL INSTALATION



REVISED:  
REVISED:  
AS BUILT:

MODEL:  
SUBMITTAL DATE:  
DRAWN:

**DRAPER**

JOB NAME:  
LOCATION:  
DEALER:

ORDER NO.

SHEET:  
OF: