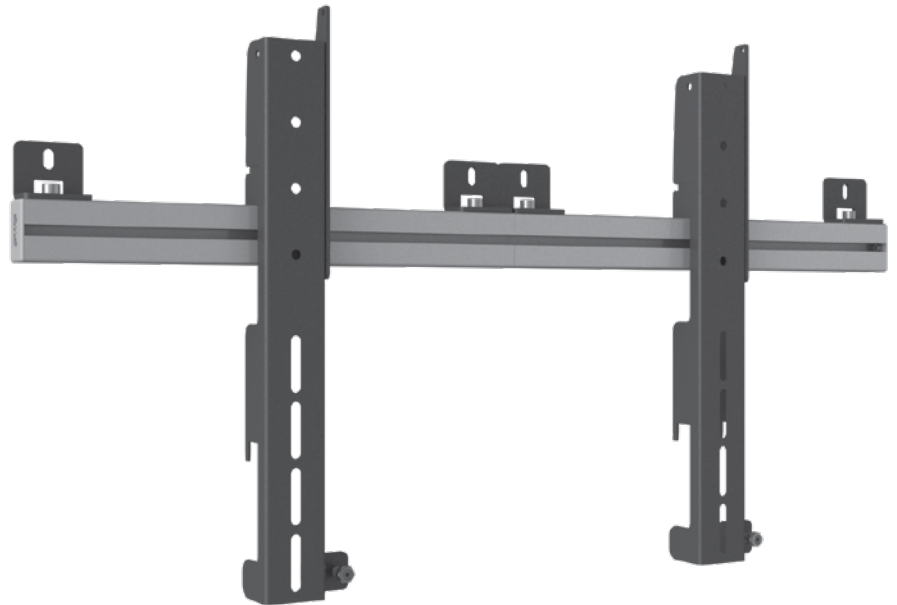
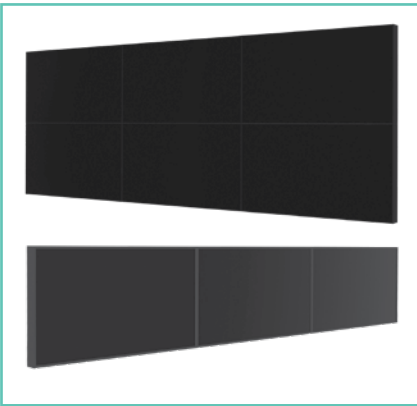
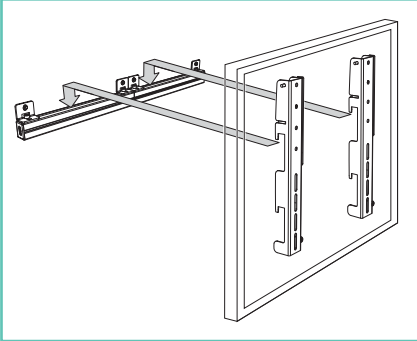




VIDEO WALL MOUNT



The Video Wall Mount offers a simple, cost effective way of building video wall arrays from the most common to the most unique configurations. Mounts are designed to make exact alignment of each display easy. Fine X / Y / Z axis adjustment capabilities provide precise display alignment in all four corners without tools.

Height and width can be adjusted with millimeter precision for edge-to-edge mounting. The final result lies closer to the wall than most other products on the market. Each display mount can be secured with screws (included) or with padlocks (not included) to increase public safety and reduce the risk of theft.

**FOCUSED ON
INNOVATIVE
SOLUTIONS**

CORE SOLUTION

- Ordering: one mount per display.
- Compatible video wall configurations: 1 or 2 high x unlimited width.
- Display sizes: 37"- 65" diagonal.
- Maximum weight per display: 220 lb (100 kg).
- VESA pattern: 100-400 high x unlimited width.
- Depth of mount: 1.83" (46.5 mm).
- Finish: anodized aluminum and black powder coat.
- Included hardware: one wall rail with attachment hardware, two vertical hanging brackets, one universal display attachment hardware, and two endcaps.