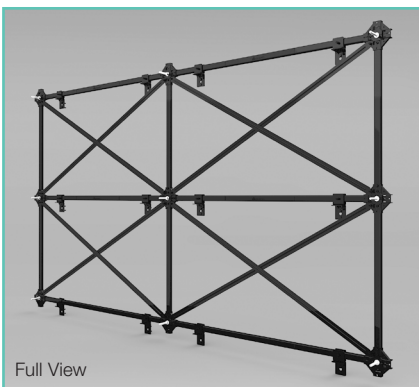
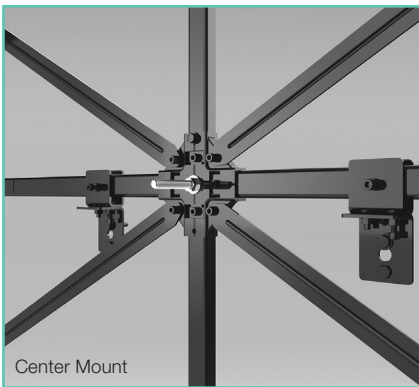
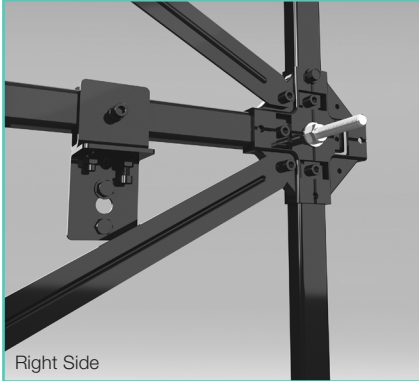




Draper® Mount Interface for Barco UniSee® Video Walls



The Draper® Mount Interface for Barco UniSee is a simple but precise, elegant, and affordable solution.

Draper provides a solution that makes installation of Barco UniSee video walls easier than ever. Simple-to-install wall-mounting enables installation onto various wall construction types.

Built-in square bracing feature provides precise location of the Barco UniSee wall crosses, safely distributing the weight of the video wall evenly across the wall surface and eliminating the need for Unistrut®.

Simple and lightweight—the mount interface can be installed by one person, reducing on-site installation costs.

The configurable modular design will accommodate any Barco UniSee video wall array size, and the supporting wall does not require prep work or additional backing.

FOCUSED ON
INNOVATIVE
SOLUTIONS

CORE SOLUTION

- Compatible with Barco UniSee video wall configurations: 2 x 2 array or larger.
- Options: compatible with Draper SmartTrim™ for Barco UniSee.
- Display sizes: 55" Barco UniSee.
- Universal attachment bracket placement allows for most wall types.
- Diagonal cross braces for self-squaring assembly.
- Finish: textured black powder coat paint.
- **Seismic rating:** Draper is able to provide seismic rated mounting solutions when specified in advance.



www.draperinc.com/contactus/avinquiry.aspx

Please contact your sales team if seismic rating is required for your project.