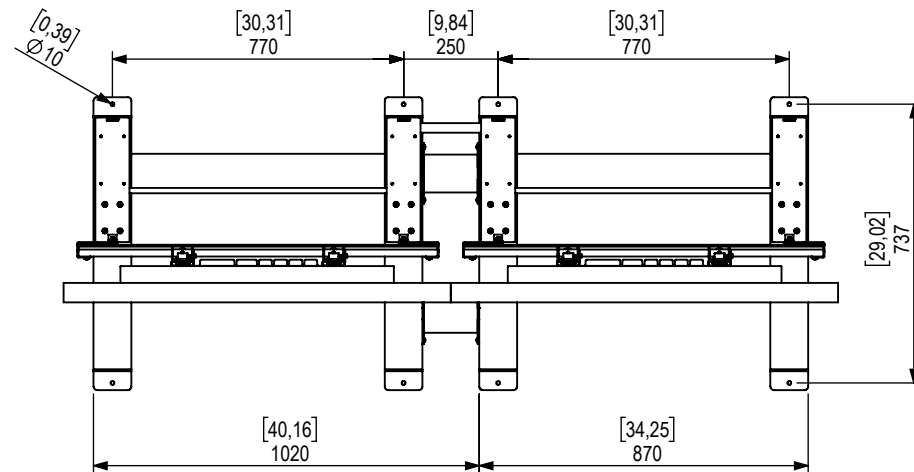
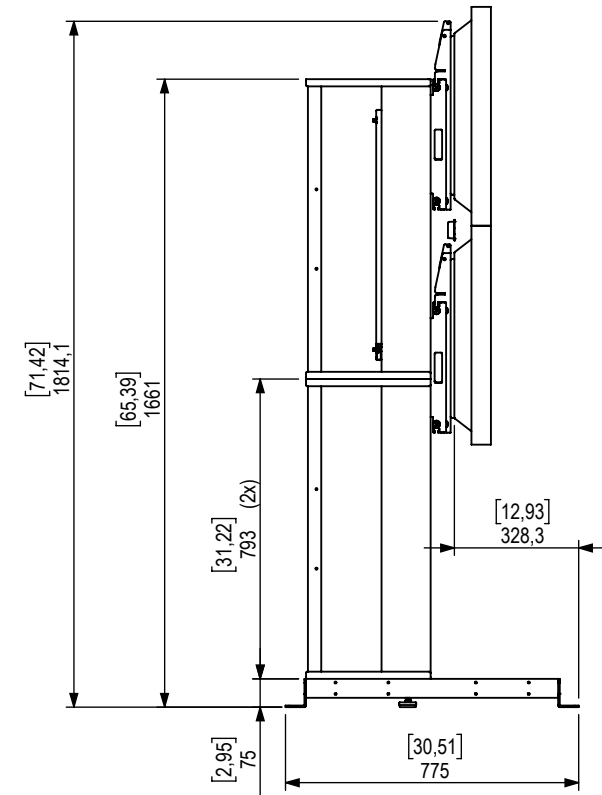
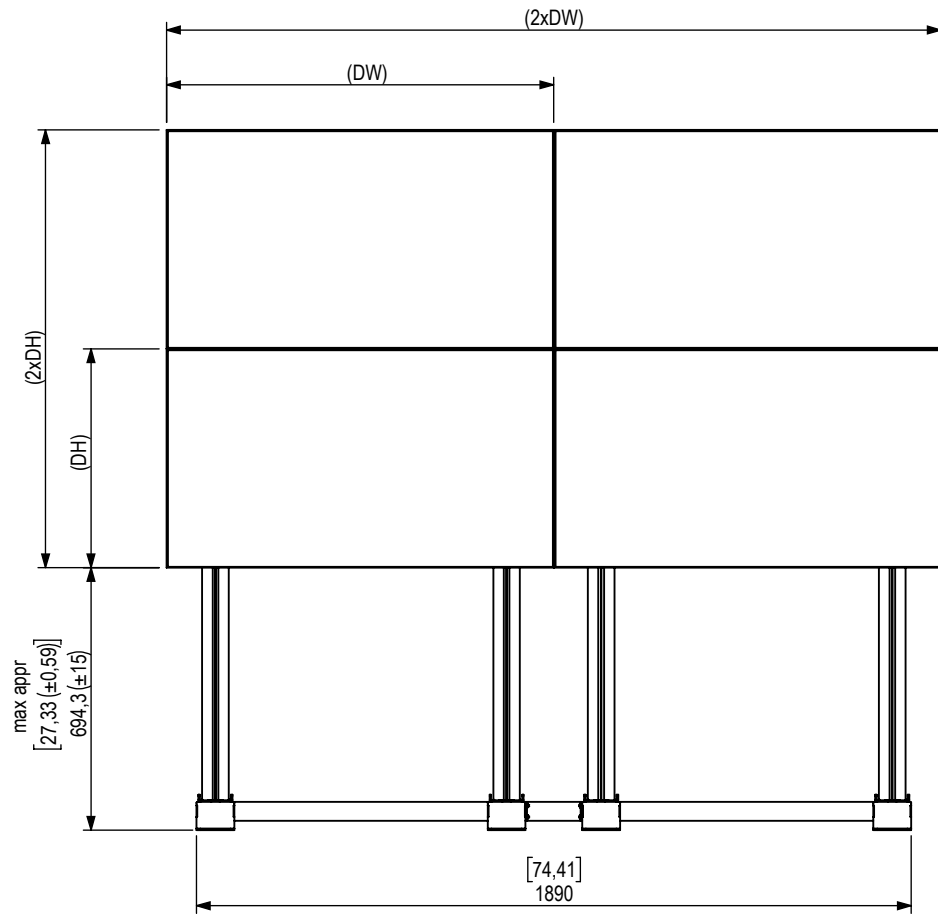


# Technical drawing (mm/inch)

C140006-2A0 Icon Floor Ace 2x2 46 800x400 dimensions



DW = Display Width  
 DH = Display Height  
 DD = Display Depth