

Silent Partner Projector Enclosure

SUBMITTAL DATA SHEET

Specifications *Please check all appropriate selections and attach room schedule with verified dimensions.*

Silent Partner projector sound enclosures. Enclosure shall be manufactured of steel panels with UL94V fire rated acoustic insulation foam. Voltage range from 100-250VAC 50-60Hz. Model A for projectors 5k-8k lumens. 750 watts. 24 inches (61 cm) l x 20.5 inches (52 cm) w x 9 inches (23 cm) h. Model B for projectors 8k-10k lumens. 1,000 watts. 28 inches (71 cm) l x 24.5 inches (62 cm) w x 10 inches (25 cm) h. Model C for projectors 10k-15k lumens. 1,600 watts. 33 inches (71 cm) l x 24.5 inches (62 cm) w x 10 inches (30 cm) h. Exhaust labyrinth for optimum noise attenuation. Reduces projector noise by 20–25 dBA. Thermostatic fan control with sensitivity adjustment for noise and temperature optimization. Electrostatic inlet air filter. Attachment to ventilation duct work for projector cooling not required. M10 Threaded inserts for mounting below ceilings. Removable, lockable side doors with optical grade port glass. Projector Clamp firmly holds projector for tabletop or ceiling orientation. Rear hinged access door. Enclosure Attachment: [Ceiling] [Table] [Projector Lift].

PATENT INFORMATION: available at www.draperinc.com/legal/patents

DOWNLOADABLE 3-PART SPECIFICATIONS: available at www.draperinc.com.

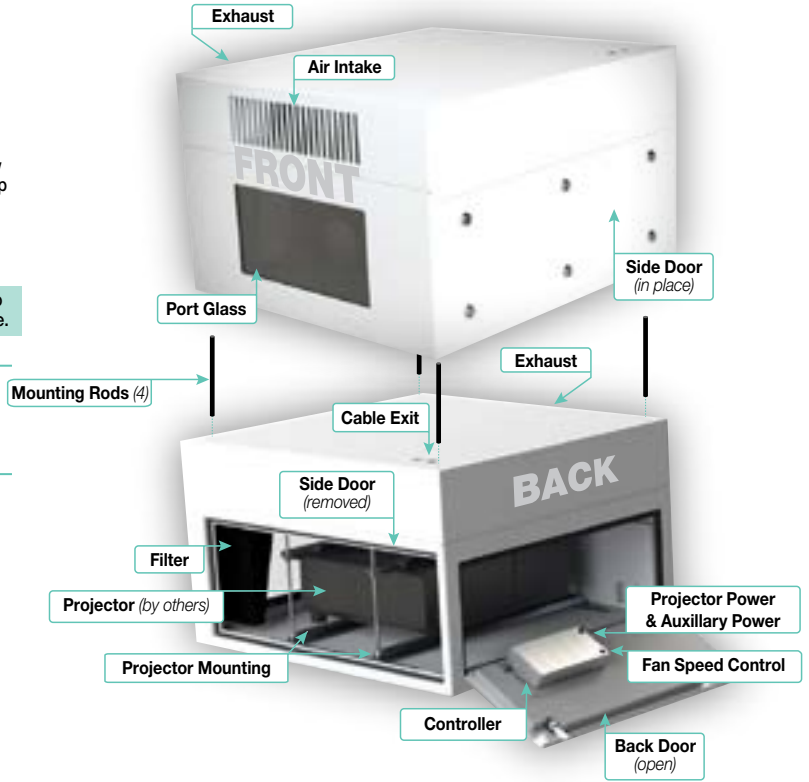
Please Note: The Silent Partner should be specified in conjunction with a Draper video format motorized screen. Specifications subject to change without notice.

Select Powder Coat Finish

- White (Standard)
- Black (Optional)

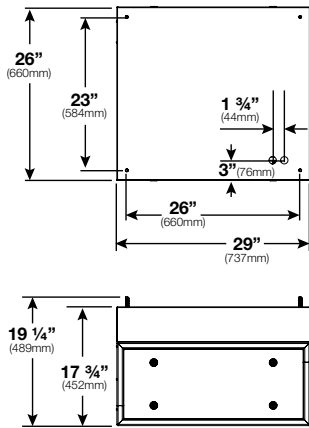
Select Size

	Maximum Projector Dimensions:			Max. Projector Wattage
	Length	Width	Height	
<input type="checkbox"/> Model A	24" (610mm)	20½" (520mm)	9" (230mm)	750 Watts
<input type="checkbox"/> Model B	28" (710mm)	24½" (620mm)	10" (254mm)	1000 Watts
<input type="checkbox"/> Model C	33" (840mm)	24½" (620mm)	12" (305mm)	1600 Watts

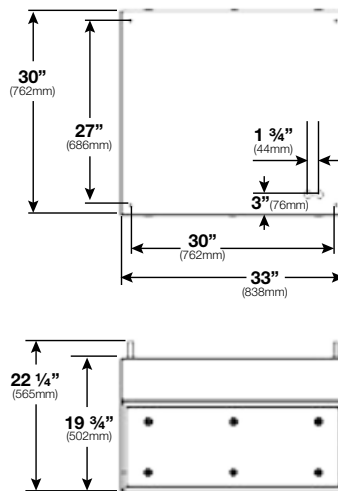


Product Dimensions, Rigging Points, and Projector Dimensions

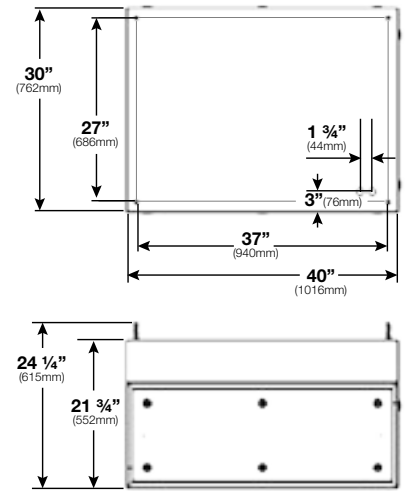
Silent Partner: Model A Net Weight = 56 Lbs.



Silent Partner: Model B Net Weight 72 Lbs.



Silent Partner: Model C Net Weight = 86 Lbs.



Draper, Inc. | 411 S. Pearl St. Spiceland, IN 47385
draperinc.com | 765.987.7999 | 800.238.7999

© 2018 All Rights Reserved | FORM: Silent_Partner_Sub18

PROJECT: _____

ARCHITECT: _____

CONTRACTOR: _____

SUPPLIER: _____

DATE: _____ REVISED: _____