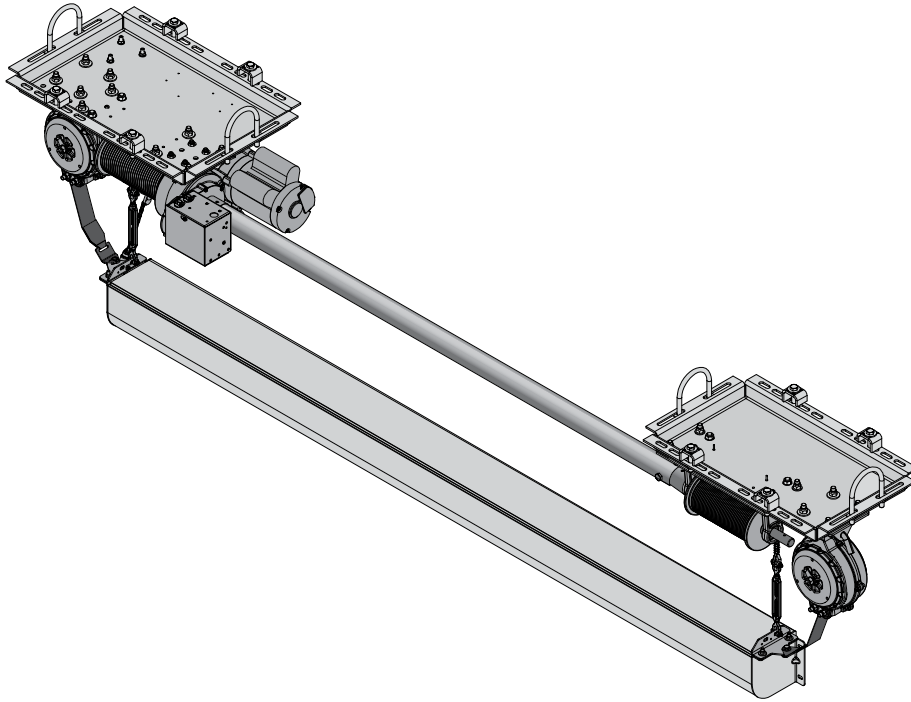


SCREEN LIFT ACROBAT

RAISE AND LOWER PROJECTION SCREENS AND A WIDE RANGE OF PRODUCTS



- Designed specifically to raise and lower projection screens, Acrobat's lifting mechanism improves function and serviceability in areas with tall ceilings. With a 1,000-pound (454 kg) lifting capacity, Acrobat can be used to lift a variety of other products such as scoreboards, lighting systems, and speakers.

FEATURES

- Steel cables with integrated safety straps ensure product safety during lifting.
- SAFETY FEATURE – Motor and idler end assemblies are each fitted with a safety belt to keep the screen from falling should the cable fail.
- Eliminates the need for a large amount of black drop on projection screens.
- Essential for convention centers, stages in gymnasiums, and houses of worship, the Acrobat features the flexibility to lift a variety of items including :

Lighting	Speakers
Backdrops	Background sets
Scenery	Draperies
Curtains	Scrim
Signs	Banners
Flags	Chandeliers
- WARRANTY: One year against defects in materials and workmanship.

OPTIONS

- Control options range from a basic wall switch to contact closure.
- Low-voltage controllers available.

SIZES

- **Maximum lift capacity** up to 1000 lbs (454 kg).
- **Vertical travel:** Lower projection screens or other equipment up to 34 ft. (10 m) eliminating the need for an extensive amount of black drop.
- Operating speed: 9.6 ft. (2.92 m) per minute

SUPPORTING DOCUMENTS

All instructions, technical drawings and other supporting documents are located at: draperinc.com/documents.aspx

For more information on this product visit: draperinc.com/liftsmounts/projectorlifts.aspx