


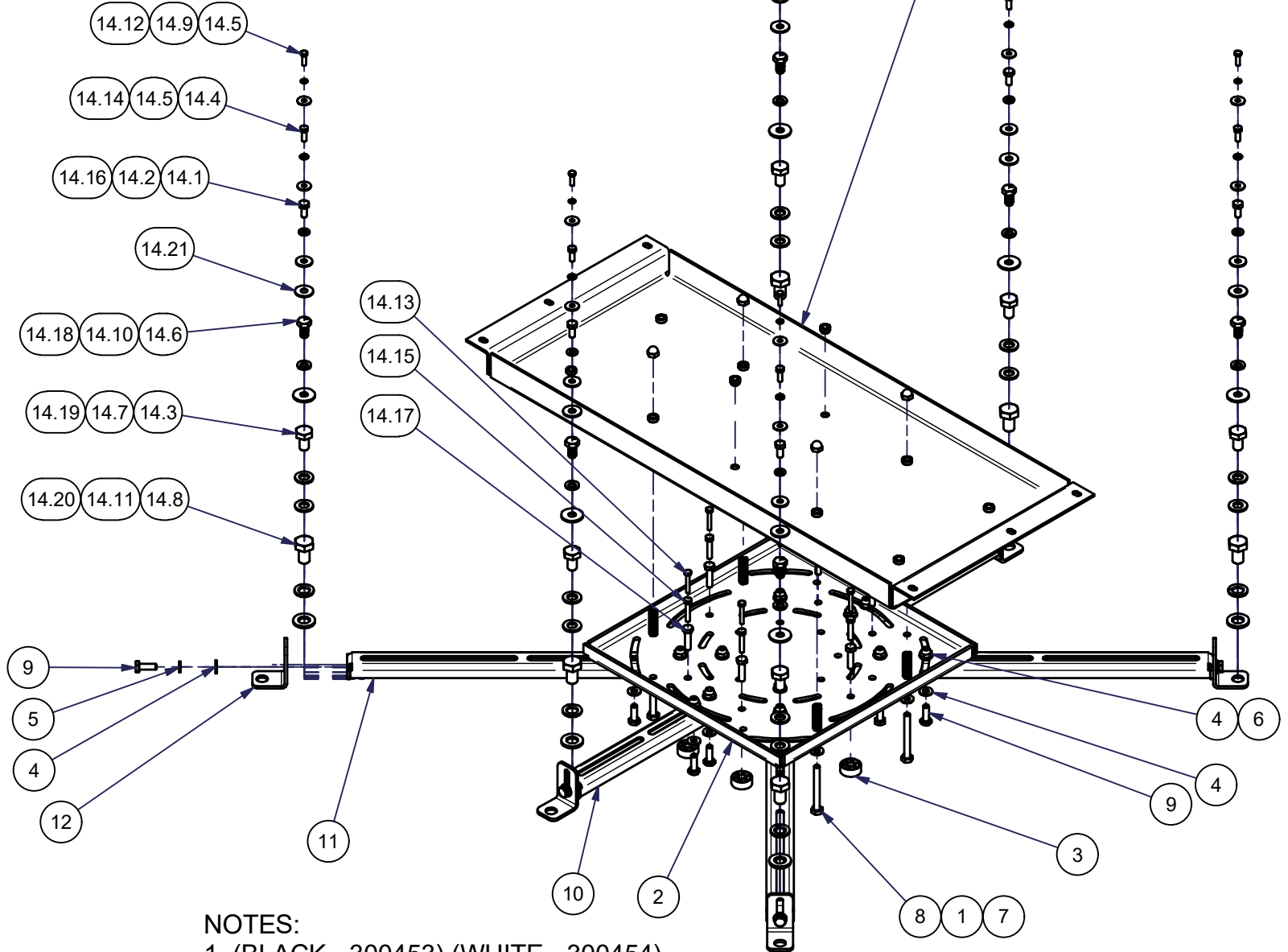
<b>TOLERANCES UNLESS NOTED</b> 2 PLC. DECIMAL: $\pm 0.03$ " 3 PLC. DECIMAL: $\pm 0.005$ " ANGULAR: $\pm 1^\circ$ FRACTIONAL: $\pm 1/32$ "	DESIGNED BY: senochs	1/12/2006
	DRAWN BY: senochs	1/25/2019
	CHECKED BY:	
	MFG APPD BY:	
	ENG APPD BY:	

PROPRIETARY DRAWING NOTICE: THIS DOCUMENT CONTAINS CONFIDENTIAL, PROPRIETARY INFORMATION OF DRAPER, INC., IS THE PROPERTY OF DRAPER, INC., AND MUST BE RETURNED UPON REQUEST. NEITHER RECEIPT NOR POSSESSION THEREOF CONFERS ANY RIGHT TO OWN, REPRODUCE, USE, OR DISCLOSE IN WHOLE OR IN PART, ANY SUCH INFORMATION WITHOUT WRITTEN AUTHORIZATION FROM DRAPER, INC.


 DRAPER, INC. 411 S. PEARL ST. SPICELAND, IN 47385 www.draperinc.com	
TITLE: MEDIUM UNIVERSAL PROJECTOR MOUNT - PROJECTORS 26 - 200 LBS	
MATERIAL:	
PAPER SIZE: B	FINISH:
SCALE: NONE	REV: SHEET: 1 OF: 2
DWG NO. - PART NO. 300453 - 300454	

ITEM	QTY	PART NUMBER	DESCRIPTION
1	4	C005.063	Spring, Compression .349" OD X 1.496" LNG X .049" THK
2	1	C010.572	PLATE, UNIVERSAL MOUNT PROJECTOR
3	6	C011.108	SPACER, .256" ID X .90" OD x .347" T NYLON
4	34	C013.012	WASHER .255"ID X .562"OD X .06"TK GR2 ZINC FLAT
5	6	C013.028	WASHER, .25 ID X .365OD X .063T ZINC SPLIT LOCK
6	12	C018.014	NUT, .250-20 NYLON INSERTED HEX ZINC LOCKING
7	4	C018.153	NUT, 1/4-20 ACORN NICKLE PLATED
8	4	C019.107	BOLT, 1/4-20 X 2 1/4" L GRD 5 ZINC TAP
9	18	C020.153	SCREW 1/4-20x3/4" GRADE 2 ZINC HEX HEAD CAP
10	2	C023.095	ARM, SHORT UNIVERSAL MOUNT
11	4	C023.096	ARM, LONG UNIVERSAL MOUNT
12	6	C150.018	FOOT, UNIVERSAL MOUNT
13	1	C237.042	Pan, SLX Adjustable Projector
14	1	C504.209	KIT, MEDIUM UNIVERSAL PROJECTOR HARDWARE
14.1	6	C013.157	WASHER, 6.3mm ID x 11.8mm OD x 1.6mm THICK HELICAL SPRING LOCK
14.2	6	C013.185	WASHER, M6 6.4 ID X 18 OD X 1.6 THICK OVERSIZED FLAT, ZN-PLATED STEEL
14.3	6	C013.190	WASHER, M10 DIN 127 ZINC SPLIT LOCK
14.4	6	C013.191	WASHER, M5 DIN 127 ZINC PLATED SPLIT LOCK
14.5	12	C013.192	WASHER, M5 X 15mm OD DIN 9021 ZINC FENDER
14.6	6	C013.193	WASHER, M8 X 24mm OD DIN 9021 ZINC FENDER
14.7	6	C013.194	WASHER, M10 X 20mm OD DIN 125 ZINC FENDER
14.8	6	C013.195	WASHER, M12 X 24mm OD DIN 125 ZINC FENDER
14.9	6	C013.196	WASHER, M4 DIN 127 ZINC SPLIT LOCK
14.10	6	C013.197	WASHER, M8 DIN 127 ZINC SPLIT LOCK
14.11	6	C013.198	WASHER, M12 DIN 127 ZINC SPLIT LOCK
14.12	6	C020.692	Screw, M4-0.7 x 14 mm Long Hex Hd Zinc
14.13	6	C020.693	Screw, M4-0.7 x 25 mm Long Hex Hd Zinc
14.14	6	C020.694	Screw, M5-0.8 x 14 mm Long Hex Hd Zinc
14.15	6	C020.695	Screw, M5-0.8 x 25 mm Long Hex Hd Zinc
14.16	6	C020.696	Screw, M6-1 x 14 mm Long Hex Hd Zinc
14.17	6	C020.697	Screw, M6-1 x 25 mm Long Hex Hd Zinc
14.18	6	C020.705	SCREW, M8-1.25 X 16 mm LONG HEX HD ZINC
14.19	6	C020.706	SCREW, M10-1.5 X 18 mm LONG HEX HD ZINC
14.20	6	C020.707	SCREW, M12-1.75 X 20 mm LONG HEX HD ZINC
14.21	6	C034.075	BUSHING, 0.25" ID x .495" BODY OD x .788" FLNG OD POM

Table		
ITEM	BLACK 300453	WHITE 300454
2	C010.572.01SA	C010.572.07SA
10	C023.095.01SA	C023.095.07SA
11	C023.096.01SA	C023.096.07SA
12	C150.018.01SA	C150.018.07SA
13	C237.042.01SA	C237.042.07SA



- NOTES:  
 1. (BLACK - 300453) (WHITE - 300454)  
 2. SEE TABLE FOR CORRESPONDING PART NUMBERS FOR BLACK AND WHITE MOUNTS  
 3. WEIGHT = 23 POUNDS (INCLUDING PROJECTOR PAN ITEM #13)

<b>TOLERANCES UNLESS NOTED</b> 2 PLC. DECIMAL: ±.03" 3 PLC. DECIMAL: ±.005" ANGULAR: ±1° FRACTIONAL: ±1/32"	DESIGNED BY: senochs	1/12/2006	 DRAPER, INC. 411 S. PEARL ST. SPICELAND, IN 47385 www.draperinc.com
	DRAWN BY: senochs	9/26/2018	
	CHECKED BY:		
	MFG APPD BY:		
PROPRIETARY DRAWING NOTICE: THIS DOCUMENT CONTAINS CONFIDENTIAL, PROPRIETARY INFORMATION OF DRAPER, INC., IS THE PROPERTY OF DRAPER, INC., AND MUST BE RETURNED UPON REQUEST. NEITHER RECEIPT NOR POSSESSION THEREOF CONFERS ANY RIGHT TO OWN, REPRODUCE, USE, OR DISCLOSE IN WHOLE OR IN PART, ANY SUCH INFORMATION WITHOUT WRITTEN AUTHORIZATION FROM DRAPER, INC.			TITLE: MEDIUM UNIVERSAL PROJECTOR MOUNT - PROJECTORS 26 - 200 LBS
MATERIAL:			PAPER SIZE: B FINISH: NONE
SCALE: NONE			REV: SHEET: 2 OF: 2 DWG NO. - PART NO. 300453 - 300454