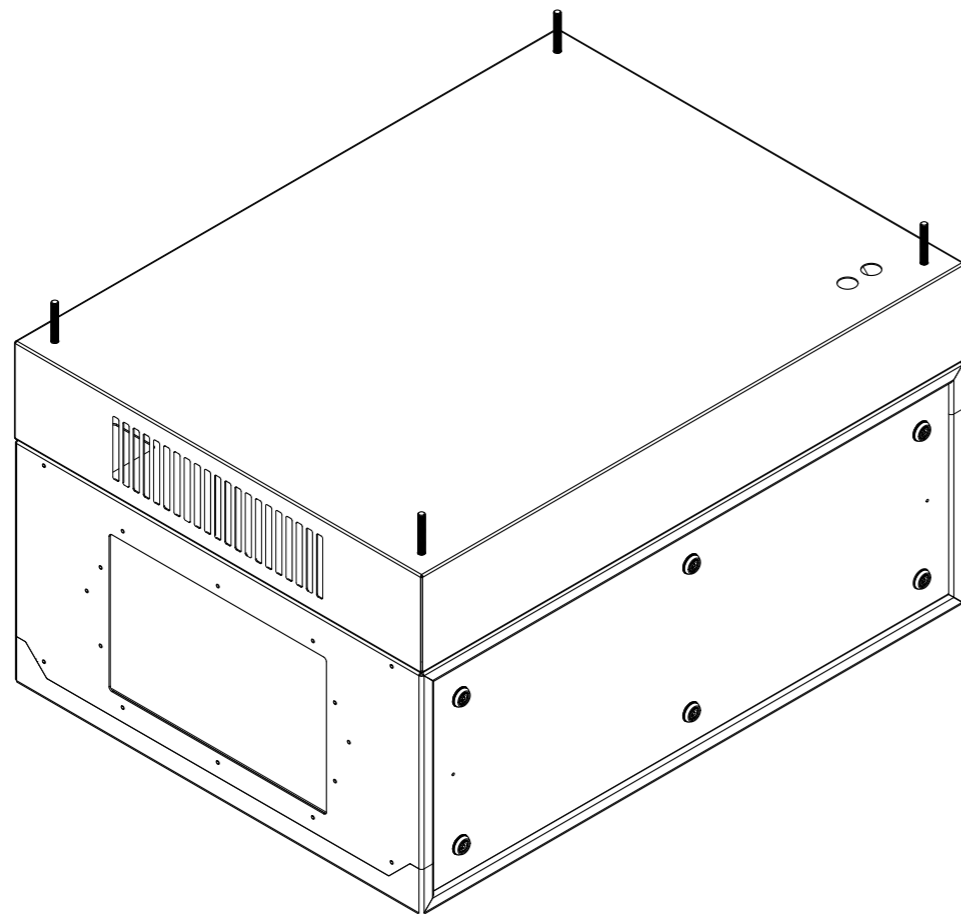
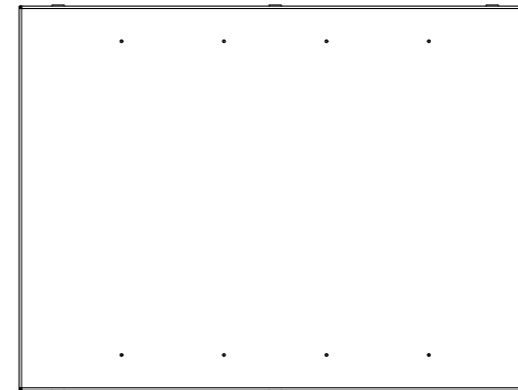
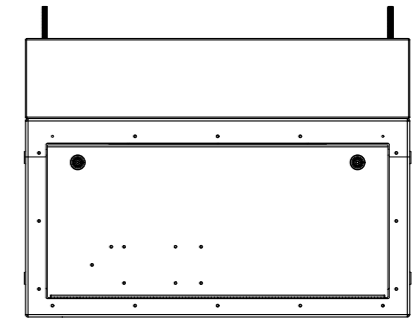
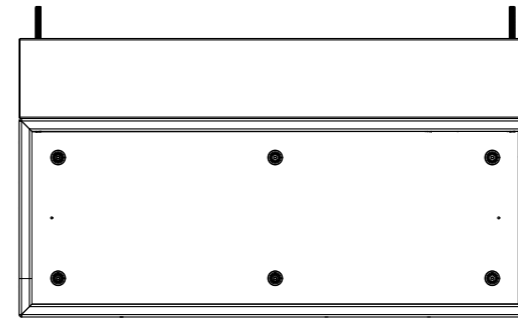
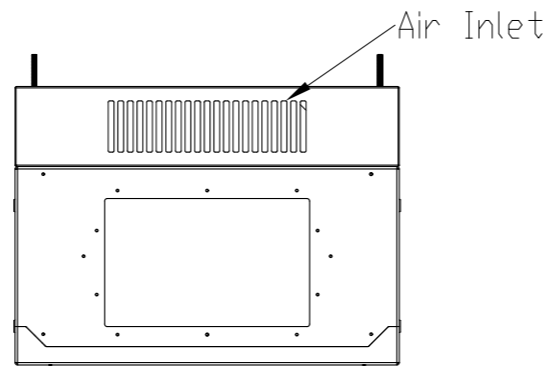
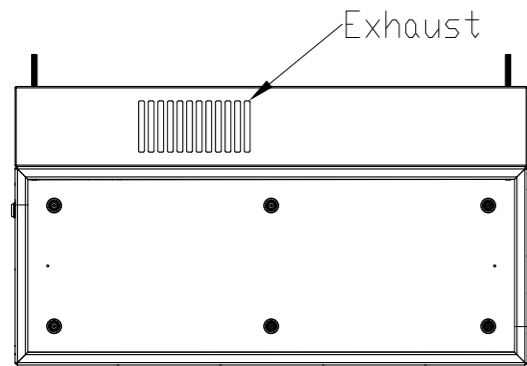
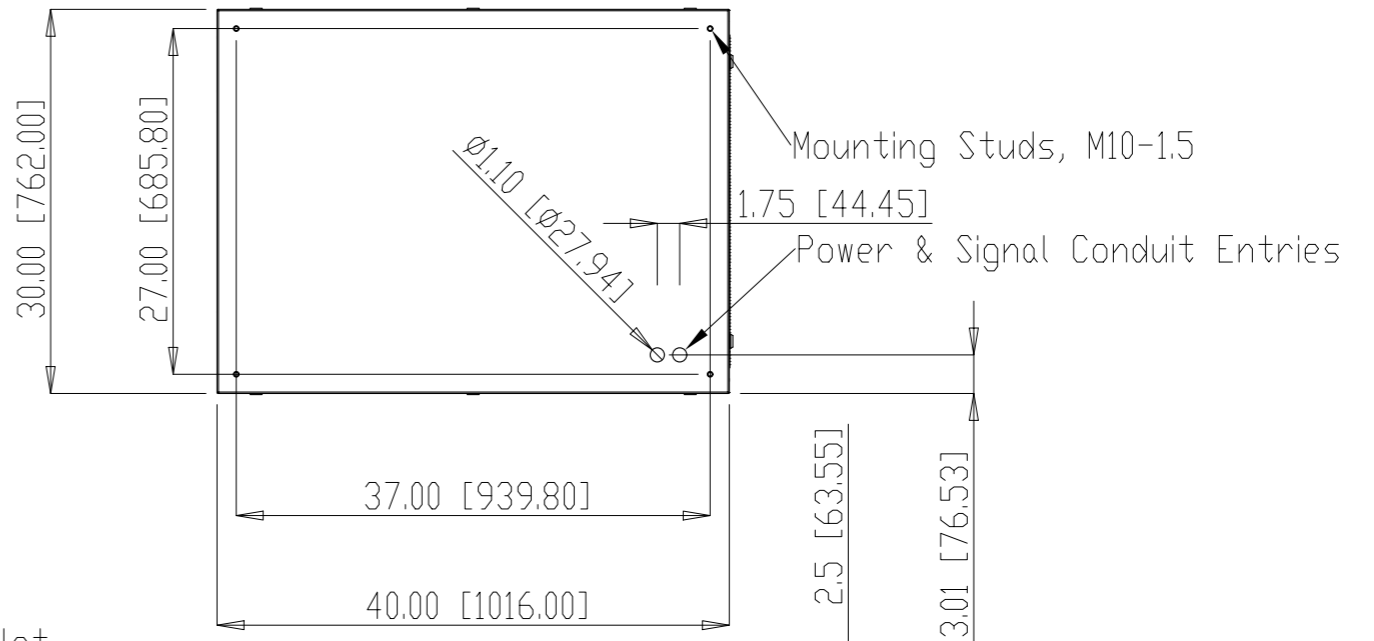




Maximum Projector Dimensions:

33x24.5x12in (LWH)
840x620x305mm (LWH)

1,600 Watts



PROPRIETARY DRAWING NOTICE: THIS DOCUMENT CONTAINS CONFIDENTIAL, PROPRIETARY INFORMATION OF DRAPER, INC., IS THE PROPERTY OF DRAPER, INC., AND MUST BE RETURNED UPON REQUEST. NEITHER RECEIPT NOR POSSESSION THEREOF CONFERS ANY RIGHT TO OWN, REPRODUCE, USE, OR DISCLOSE IN WHOLE OR IN PART, ANY SUCH INFORMATION WITHOUT WRITTEN AUTHORIZATION FROM DRAPER, INC.

TOLERANCES UNLESS NOTED	DESIGNED BY:		 DRAPER, INC. 411 S. PEARL ST. SPICELAND, IN 47385 www.draperinc.com
	DRAWN BY: JFB		
	CHECKED BY: BPM	10/17/2019	
	MATERIAL:		
 THIRD ANGLE PROJECTION	FINISH:		TITLE: 300391 - Silent Partner C
	DO NOT SCALE		DWG SIZE: B
			REV: OF: 3 3
			SHEET: 3 OF: 3
			DWG NO. :