

Scissor Lift SL Series



SUBMITTAL PLANNING SHEET

**Planning sheet submission required with your order or request for quotation.
Please mark appropriate response to each numbered item (front and back)**

Specifications—Scissor Lift SL

_____ video projector lifts for projectors weighing up to 100 lbs (45.4 kg). White or black powder coat finish. Projector bolts onto operating pan, or mounts to pan with mounting bracket (by others). Electrically operated 110-120V AC, 60 Hz. UL recognized gearmotor, with metal chain drive system, to be lifetime lubricated. Projector to be suspended from steel pan supported by steel scissor arms and operated by two, 1/8" (3.175 mm) aircraft cables with 2000 foot/pounds tensile strength per cable. Equipped with 3 sets of stabilizing scissors, positioned on the left, right, and rear sides. Also equipped with fail-safe inertial safety belt system and Cable Management System with projector power outlet. Factory set limit switches to automatically stop travel at store, show, and service positions. Single Station Low Voltage Control, standard, consists of one 3-button wall switch to lower lift from "stored" to "show" position, and one momentary key switch to lower lift to "service" position. Scissor Lift SL is approved to **UL 2442** and **CSA C22.2 No. 60065-03**.

Optional Current Sensor available.

Optional Environmental Air Space Housing: Consists of suitable steel panels for use in return Environmental Air Space situations. Includes trim ring for ceiling opening. Four sizes available.

Optional ceiling closure panel: Finished in white baked textured powder coat, shall descend smoothly with projector. Four sizes available.

Ceiling Finish Kit: Finished white. Trims ceiling opening when required. Consists of trim ring and closure panel. Four sizes available.

Factory-installed control cables available.

Please Note: The Scissor Lift SL should be specified in conjunction with a Draper motorized screen.

Optional Ceiling Access Door: Provides access to projector and lift when unit is installed above hard ceiling. Two styles: White painted finish or accepts ceiling tile.

Optional Universal Projector Mount: Fits most projectors up to 26 lbs. Tilt, yaw and pan adjustment.

Patented by Draper.

Patent information available at <http://www.draperinc.com/legal/patents/>
Downloadable 3-part specifications are available at www.draperinc.com.

- ① **Select one model based on the maximum exact distance you need the projector to descend from "store" position to "service" position.**

Draper does not recommend setting show position at the maintenance/ service position. For example, if you wish to have 8' (2.4 m) Show position, order a lift with at least a 10' (3 m) maintenance position.

Scissor Lift—SL Series

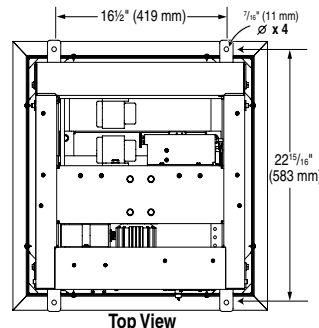
Quantity	Model	Table A	
		Closed Height	Extended Height
<input type="checkbox"/> 4 ft.—Model SL4	SL4	8" (20.3 cm)	4' (1.2 m)
<input type="checkbox"/> 6 ft.—Model SL6	SL6	10" (25.4 cm)	6' (1.8 m)
<input type="checkbox"/> 8 ft.—Model SL8	SL8	12" (30.5 cm)	8' (2.4 m)
<input type="checkbox"/> 10 ft.—Model SL10	SL10	14" (35.5 cm)	10' (3.0 m)
<input type="checkbox"/> 12 ft.—Model SL12	SL12	16" (40.6 cm)	12' (3.6 m)

- ② **Standard, factory set "show" position is 36" (914 mm) below "store" position. "Show" position can be adjusted after installation. For "show" position of more or less than 36" (914 mm), list show position: _____**

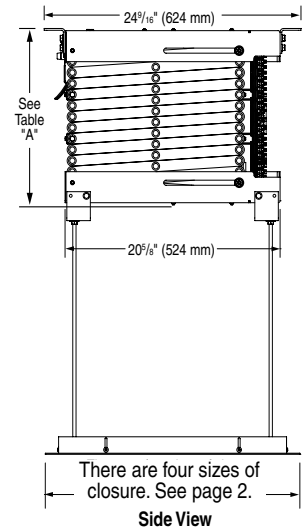
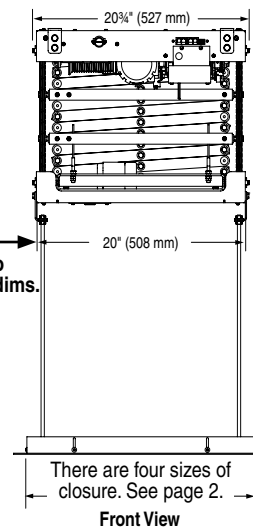
- ③ **Select Powder Coat Finish:**

- White (Standard) Black
 Trim Ring Only (Standard)
 Entire Environmental Air Space Housing (Optional)

16" (406 mm) threaded rod included. Can be cut down to match projector and mount dims.



For drawings/dimensions with Environmental Air Space Housing, see page 3.



DRAPER SALESPERSON: _____
CUSTOMER CONTACT: _____
SIGNATURE: _____

(Continued on Page 2)

DEALER NAME: _____

 PROJECT NAME: _____

 P.O. #: _____
 DATE: _____



④ **Select Optional Accessories**

- Optional **Ceiling Access Door** (2' x 2' [60 x 60 cm]) to allow access above finished ceiling (highly recommended).
 - White Painted Finish Accepts Ceiling Tile
- Optional **Environmental Air Space Housing**: Optional ceiling closure panel not included (see drawings below).
 - "B" "E" "SL" "U"
- Optional **Ceiling Closure Panel**: Pairs with Environmental Air Space Housing. Installs with ceiling trim lip or as Lipless Closure (see page 3).
 - "B" "E" "SL" "U"
- Optional **Ceiling Finish Kit**: Ceiling closure panel and mating trim ring used to finish ceiling opening when no Air Space Housing is needed (see page 3).
 - "B" "E" "SL" "U"
- Optional **Universal Projector Mount** (max. load 26 lbs).
- Optional **Current Sensor**. (Please Note: *Optional Current Sensor may reduce projector space available. Contact Draper*).

⑤ **Select factory installed hookup for RGB, Video and Projector Control?**

(Note: *Cables are Optional, not plenum rated and are shielded*)

- Yes No

What type of connectors do you need? (Inputs to Projector and Outputs at top of Lift)

- BNC** How Many? _____
- 15 Pin HD** How Many? _____
- RCA** How Many? _____
- S-Video** How Many? _____
- RS232 (DB9)** How Many? _____
- Cat 6** How Many? _____
- HDMI** How Many? _____

* Please note: *There is a limit of seven (7) video, RGB and control cables per Scissor Lift.*

⑥ **Select Voltage:**

- 110-120V 220-230V

⑦ **Select Low Voltage Controls: This unit comes with one 3-Button Wall Switch and one Momentary Key Control.**

For other switching options, please select from below:

- Replace 3-Button Wall Switch with optional second Momentary Key Control (SP-KSM)
- Optional Key Operated Power Supply Key Switch (On-off)
- Optional Wireless Remote Control (infrared transmitter & receiver). Controls the "Show" position only.
- Optional R2D7 RS232 interface for Serial Communication. (Controls the "Show" position only).

⑧ **Will this unit be controlled by other equipment?**

- No.
 Yes. What kind of equipment? _____

Ceiling Closure Options

Dim	Closure B	Closure E	Closure SL	Closure U
A	30 ⁹ / ₁₆ " (776 mm)	40 ¹³ / ₁₆ " (1037 mm)	24 ³ / ₈ " (619 mm)	37 ¹¹ / ₁₆ " (957 mm)
B	30 ⁹ / ₁₆ " (776 mm)	30 ⁵ / ₁₆ " (770 mm)	24 ³ / ₈ " (619 mm)	37 ¹¹ / ₁₆ " (957 mm)
C	21 ¹ / ₈ " (537 mm)	25 ³ / ₄ " (654 mm)	18 ¹³ / ₁₆ " (478 mm)	27" (686 mm)
D	26" (660 mm)	36 ¹ / ₄ " (921 mm)	18 ¹³ / ₁₆ " (478 mm)	31 ¹ / ₄ " (794 mm)
E	28 ³ / ₁₆ " (716 mm)	27 ¹⁵ / ₁₆ " (710 mm)	22 ¹ / ₁₆ " (560 mm)	35 ¹ / ₈ " (892 mm)
F	28 ³ / ₁₆ " (716 mm)	38 ⁷ / ₁₆ " (976 mm)	22 ¹ / ₁₆ " (560 mm)	35 ¹ / ₈ " (892 mm)

Lipless Ceiling Closure Dimensions (Optional)

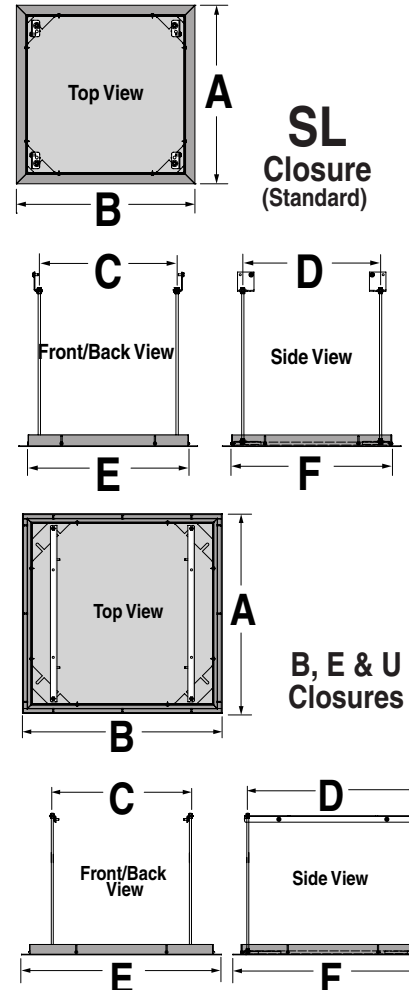
Dim	Closure B	Closure E	Closure SL	Closure U
Width	27 ⁵ / ₈ " (700 mm)	27 ⁷ / ₁₆ " (697 mm)	21 ¹ / ₂ " (546 mm)	33 ³ / ₄ " (883 mm)
Depth	27 ⁵ / ₈ " (700 mm)	37 ¹⁵ / ₁₆ " (963 mm)	21 ¹ / ₂ " (546 mm)	33 ³ / ₄ " (883 mm)

Lipless Closure Option is available by removing the Trim Ring from the Closure Panel. A substrate material (ceiling tile, gypsum board, etc.) can be attached directly to the Closure Panel using adhesive, double-sided tape or screws.
NOTE: Make sure the added weight of the substrate does not exceed the stated weight capacity of the lift. Substrate should be installed so that it is centered within the finished opening in the ceiling, with a gap of no less than ³/₁₆" around all edges.

Optional Ceiling Closure Net Weights

Closure B	Closure E	Closure SL	Closure U
21 (10 kg)	30 ¹ / ₂ (14 kg)	9 ¹ / ₂ (4 kg)	33 (15 kg)

Optional Ceiling Closure



DRAPER SALESPERSON: _____

CUSTOMER CONTACT: _____

SIGNATURE: _____

Scissor Lift SL—Dimensions & Data

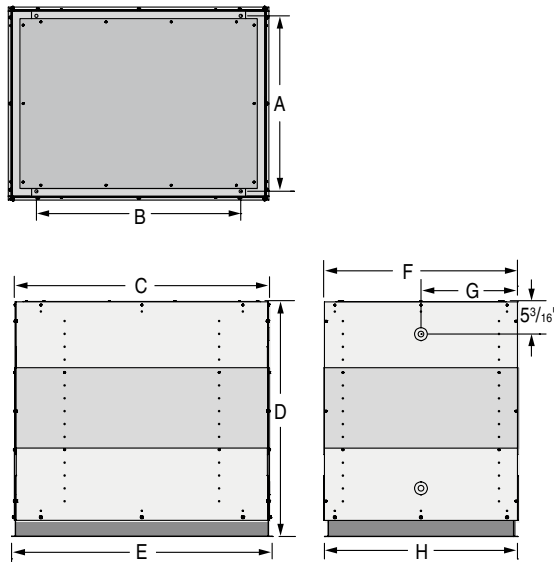
	SL4	SL6	SL8	SL10	SL12
Height of lift in closed position ¹	8" (21 cm)	10" (26 cm)	12" (31 cm)	14" (36 cm)	16" (41 cm)
Max. down travel (to service position)	4' (122 cm)	6' (183 cm)	8' (244 cm)	10' (305 cm)	12' (366 cm)
Net Weight (lbs)	88 (40 kg)	96 (44 kg)	104 (48 kg)	111 (51 kg)	118 (54 kg)
Estimated Travel Time ²	72 sec.	108 sec.	144 sec.	180 sec.	216 sec.

¹ Height of Scissor Lift in closed position only. Overall height of projector, plus optional mount, plus optional ceiling closure, plus optional Environmental Air Space Housing adds to overall height of equipment installed above ceiling.

² Based on travel speed of 90 inches per minute.

Optional Environmental Air Space Housing Dimensions

Top View



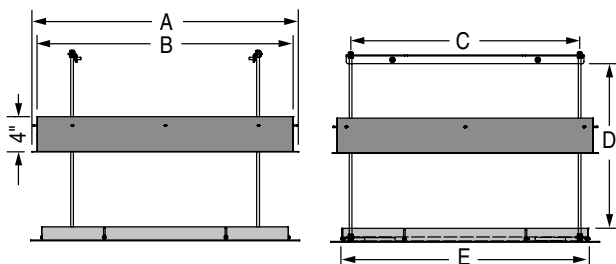
Environmental Air Space Housing Dimensions

Dim	B	E	SL	U
A	27½" (699 mm)	27¼" (692 mm)	18 ⁹ / ₁₆ " (471 mm)	26½" (673 mm)
B	22 ⁵ / ₈ " (575 mm)	31¼" (806 mm)	20 ⁵ / ₁₆ " (524 mm)	34 ⁵ / ₈ " (879 mm)
C	29 ⁷ / ₁₆ " (748 mm)	39 ¹¹ / ₁₆ " (1008 mm)	23 ¹ / ₁₆ " (586 mm)	36 ⁹ / ₁₆ " (929 mm)
D	16"-36 ⁵ / ₈ " (406-930mm)	16"-36 ⁵ / ₈ " (406-930mm)	16"-36 ⁵ / ₈ " (406-930mm)	16"-36 ⁵ / ₈ " (406-930mm)
E	30¼" (768 mm)	40½" (1029 mm)	24 ¹ / ₁₆ " (611 mm)	37 ¹¹ / ₁₆ " (957 mm)
F	30¼" (768 mm)	30" (762 mm)	23 ⁷ / ₈ " (606 mm)	37 ¹ / ₈ " (943 mm)
G	15 ¹ / ₈ " (384 mm)	15" (381 mm)	11 ⁵ / ₁₆ " (287 mm)	18 ¹¹ / ₁₆ " (475 mm)
H	30¼" (768 mm)	30" (762 mm)	24 ¹ / ₁₆ " (611 mm)	37 ¹¹ / ₁₆ " (957 mm)

Environmental Air Space Housing Net Weights

	B	E	SL	U
	95½ (43 kg)	139 (63 kg)	78½ (36 kg)	142½ (65 kg)

Optional Ceiling Trim Kit Dimensions



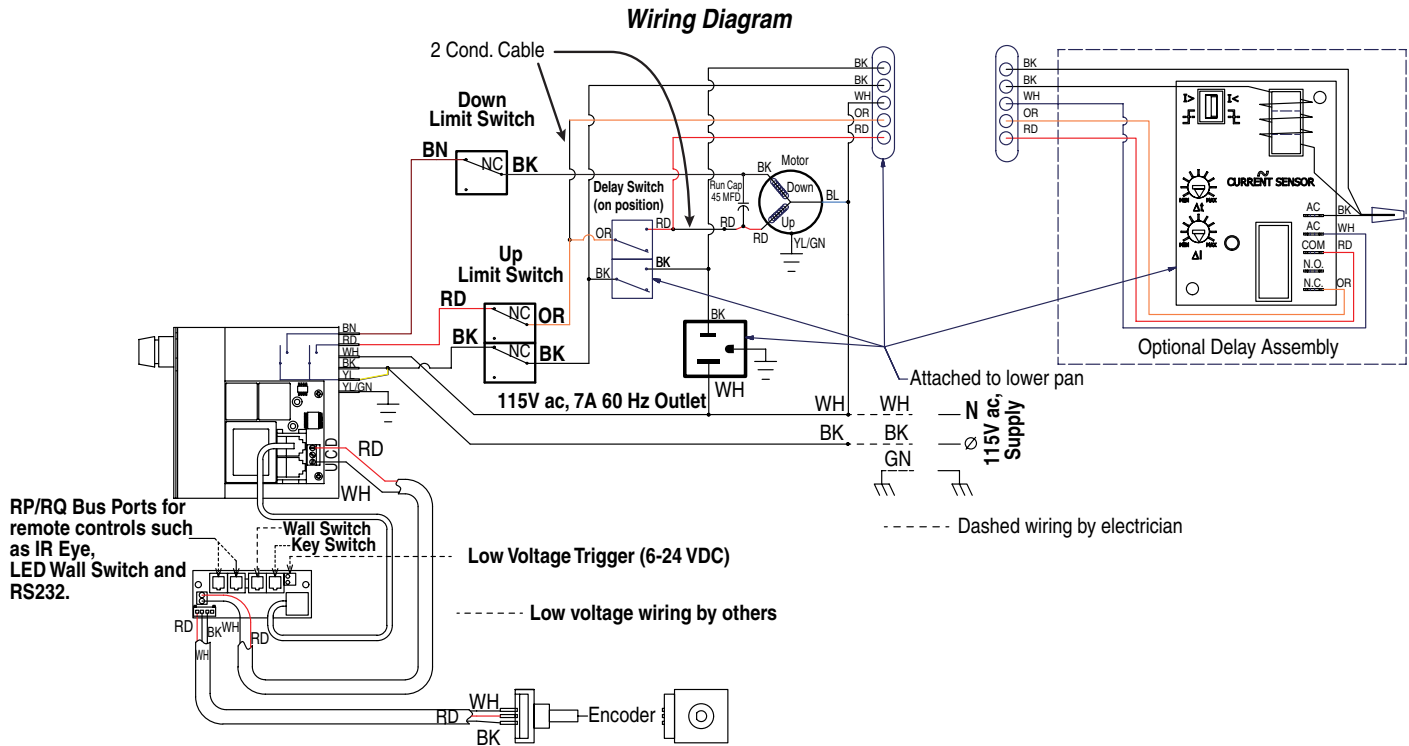
Ceiling Trim Kit Dimensions

Dim	B	E	SL	U
A	30¼" (768 mm)	40½" (1029 mm)	24 ¹ / ₁₆ " (611 mm)	37 ³ / ₈ " (949 mm)
B	29 ¹ / ₈ " (740 mm)	39 ³ / ₈ " (1000 mm)	22 ¹⁵ / ₁₆ " (583 mm)	36¼" (927 mm)
C	26" (660 mm)	25¼" (654 mm)	18 ³ / ₁₆ " (478 mm)	27" (686 mm)
D	18 ¹¹ / ₁₆ " (475 mm)	18 ⁹ / ₁₆ " (471 mm)	19 ⁵ / ₈ " (498 mm)	18 ⁹ / ₁₆ " (471 mm)
E	28¼" (718 mm)	27 ¹⁵ / ₁₆ " (710 mm)	22 ¹ / ₁₆ " (560 mm)	35 ¹ / ₈ " (892 mm)

DRAPER SALESPERSON: _____

CUSTOMER CONTACT: _____

SIGNATURE: _____

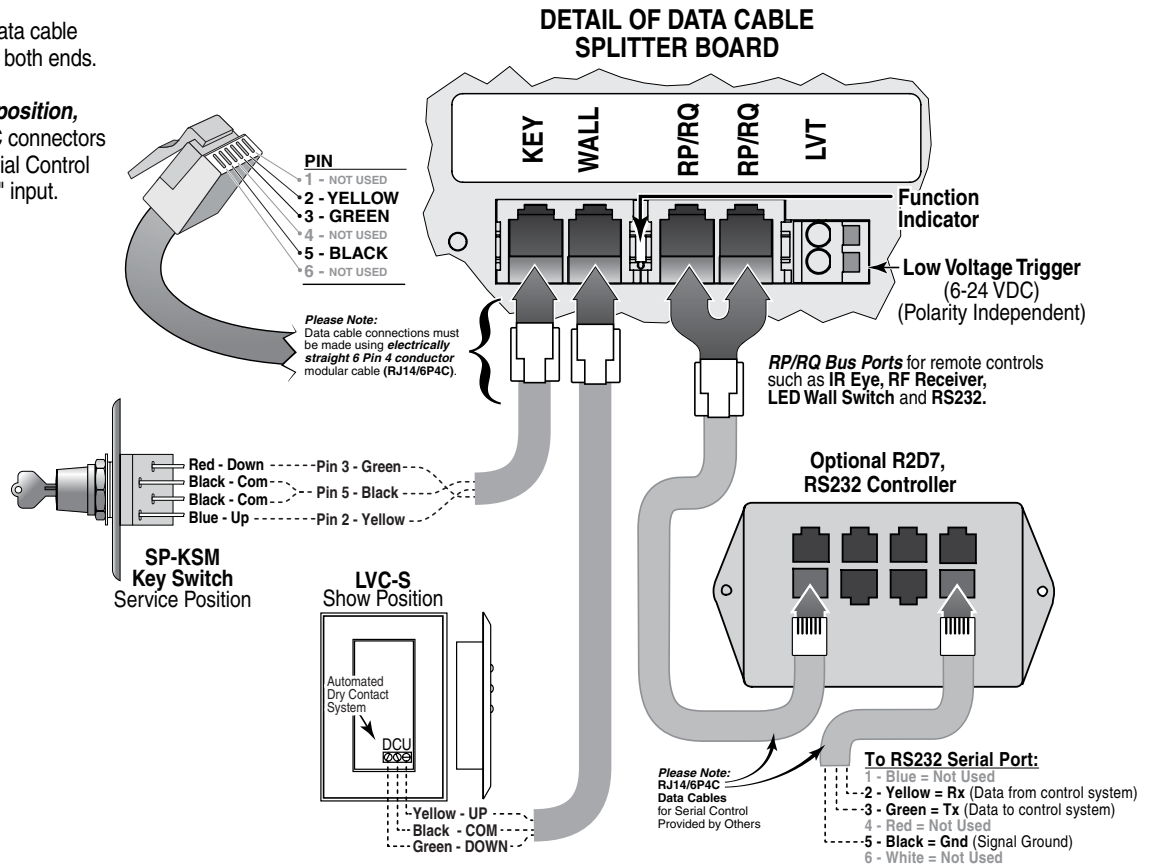


Connecting Controls to Data Cable Splitter Board

Controls plug into the **Data Cable Splitter Board** (See diagram below) which is located on the Top Frame on the front side of the lift, using **RJ14/6P4C connectors**.

For IR Remote Control, use data cable with RJ14/6P4C connectors on both ends.

For serial control of "Show" position, use data cable with RJ14/6P4C connectors on both ends and an R2D7 Serial Control Interface. Plug into the "RP/RQ" input.



Please Note: Any control, including automated dry contact systems, being connected to the wall switch input **MUST** send a momentary signal.

DRAPER SALESPERSON: _____
 CUSTOMER CONTACT: _____
 SIGNATURE: _____