

Micro Projector Lift

Ceiling-Recessed Projector Lift with a 35 lb. (16kg) Lifting Capacity



Please check all appropriate selections and attach room schedule with verified dimensions.

Specifications

MICRO PROJECTOR LIFT

MICRO PROJECTOR LIFTS. Maximum capacity 35 lbs. Grey baked powder coat finish. Projector bolts to operating pan or mounts to pan with optional SMS Low Profile Mount. Electrically operated 110-120V AC, 60 Hz 3-wire motor, instantly reversible, lifetime lubricated, with internal thermal overload protector and electric brake. Draws 1.2 amp. Preset, accessible limit switches to adjust up and down stopping positions. Projector to be suspended from 2¾" x 20" x 20" x 1/8" thick aluminum pan, which is stabilized by 3 sets of scissors and operated by two, 1" wide Kevlar belts. Lift equipped with scissors on the left, right and rear. Scissor arms of nylon reinforced with long glass fibers. Scissor folding mechanism designed for tight stacking, with closed height not to exceed 5" (not including projector, projector mount/bracket or ceiling closure). Also equipped with fail-safe inertial safety belt system and Cable Management System for projector power cord. Ceiling closure panel, finished in white baked enamel or recessed to accept ceiling tile, shall descend smoothly with projector. Trim kit, when required, shall finish ceiling edges. Entire unit certified by Underwriters' Laboratories for the U.S. and Canada. U. S.

OPTIONS

OPTIONAL ENVIRONMENTAL AIR SPACE HOUSING: Aluminum and steel, for use in environmental air space. Includes trim ring for ceiling opening.

FACTORY INSTALLED CABLES AVAILABLE

CEILING ACCESS DOOR provides ceiling access when unit is installed above hard ceiling and access to projector is not convenient. To be finished by ceiling contractor to match ceiling.

OPTIONAL UNIVERSAL PROJECTOR MOUNT: Fits most projectors up to 26 lbs. Tilt, yaw and pan adjustment.

OPTIONAL VIDEO CONFERENCE CAMERA ADAPTER BRACKET: Enables installation of a video conferencing camera in MPL. Available in two sizes (Dimensions **SMALL** 7½" x 9" x 7½" or **LARGE** 9" x 12" x 9"). Special brackets available for oversize or dual camera installation.

PLEASE NOTE: The Micro Projector Lift should be specified in conjunction with a Draper video format motorized screen. Specifications subject to change without notice.

Patent Pending

Patent information available at <http://www.draperinc.com/legal/patents/>

Downloadable 3-part specifications are available at www.draperinc.com.

Please note: Dimensions of rollers, operators and hardware at manufacturer's discretion.

Dimensions & Data	Micro Projector Lift
Height of lift in closed position ¹	5"
Maximum Overall lift dimensions (WxL)	21" x 20¾"
Ceiling opening (with closure)	23½" x 23½"
Optional Env. Air Space Housing (WxL) ²	23½" x 23½"
Max. projector size (with closure) (WxL) ³	20" x 20"
Max. down travel	48"
Approx. travel time to lowest position	27 sec.
Total Capacity (lbs.) ⁴	35
Net weight of lift (lbs.) ⁵	35
Amperes	1.2

¹ Not including projector, mount or closure.

² Max. Env. Air Space Height: 20⅞". Min. Env. Air Space Height: 12⅝".

³ Max. Available Projector/Bracket Height (with Env. Air Space Housing): 13½".

Min. Available Projector/Bracket Height (with Env. Air Space Housing): 5½".

⁴ Does not include any load placed on Lift's pre-wired power cable.

Select Optional Accessories (drawings on pages 2 & 3)

- Optional Ceiling Access Door:**
Allows access above finished ceiling (highly recommended).
 White Painted Finish Accepts Ceiling Tile
- Optional Environmental Air Space Housing**
Optional Ceiling Closure Panel not included
- Optional Ceiling Closure Panel**
Pairs with Environmental Air Space Housing.
- Optional Ceiling Finish Kit**
Ceiling Closure Panel and Trim Kit used to finish ceiling opening when no Environmental Air Space Housing is needed.
- Optional Universal Projector Mount** (max. load 26 lbs).
- Optional Video Conferencing Camera Adapter Bracket**
 Small (9" w. x 7½" h. x 7½" d.) Large (12" w. x 9" h. x 9" d.)
 Custom for oversize or dual cameras

Select factory installed cables for Video and Projector Control?

- Yes No (Note: Cables are Optional, not plenum rated and are unshielded)

What type of connectors do you need? (Inputs to Projector and Outputs at top of Lift)

BNC	How Many? ____	15 Pin HD	How Many? ____
RCA	How Many? ____	S-Video	How Many? ____
RS232 (DB9)	How Many? ____	Cat 6	How Many? ____
HDMI	How Many? ____		

* Please note: There is a limit of four (4) cables per Micro Projector Lift.

Select Voltage 110-120V 220-230V

Will this unit be controlled by other equipment?

- No.
- Yes. What kind of equipment? _____

Select Control Options:

Please Note: This Draper motorized lift comes with one 110V-120V AC 3-position wall switch (silver wall plate with black rocker).

____ Total number of 110-120V AC switches (switches operate independently)

- Substitute white switch(es) for silver wall plate with black rocker

- Optional Lift Low Voltage Control Module**
 24 Volt 3-Button Switch How many switches? _____
 Radio Frequency Remote Control (only with 24V)
 Infrared Remote Control (only with 24V)

- Optional Key Operated Switch**
 Power Supply Key Switch (On-off)
 3-Position Key Control
 3-Position Switch with Hinged Key-Locking Coverplate

- Optional Video Interface Control**
 VIC-115 Override Switch
 VIC-12 Override Switch
 VIC-6 Override Switch



Draper, Inc. | 411 S. Pearl St. Spiceland, IN 47385

draperinc.com | 765.987.7999 | 800.238.7999

© 2018 All Rights Reserved | FORM: MPL_Sub18

PROJECT: _____

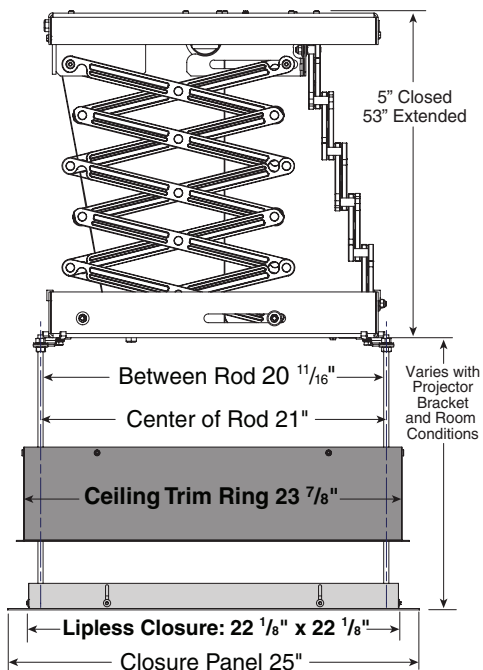
ARCHITECT: _____

CONTRACTOR: _____

SUPPLIER: _____

DATE: _____ REVISED: _____

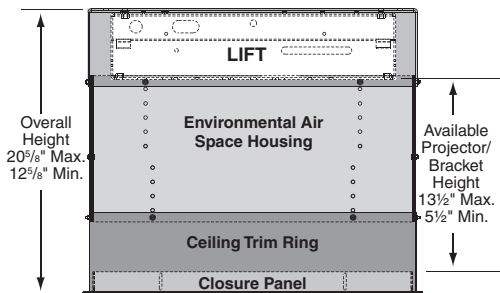
Dimensions



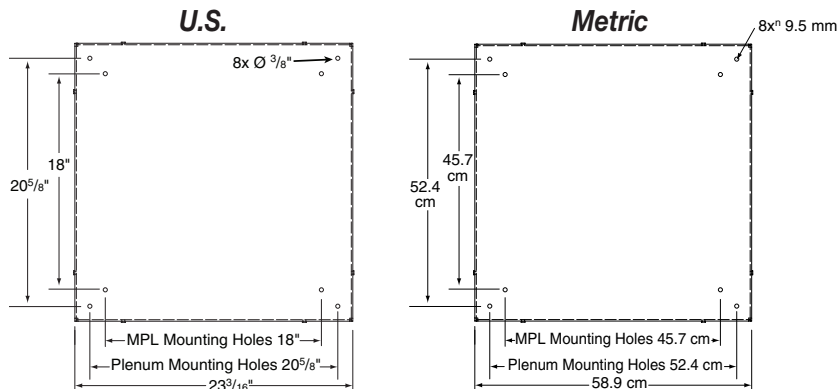
LIPLESS CLOSURE OPTION is available by removing the Trim Ring from the Closure Panel. A substrate material (ceiling tile, gypsum board, etc.) can be attached directly to the Closure Panel using adhesive, double-sided tape or screws.

PLEASE NOTE: Make sure the added weight of the substrate does not exceed the stated weight capacity of the lift. Substrate should be installed so that it is centered within the finished opening in the ceiling, with a gap of no less than 3/16" around all edges.

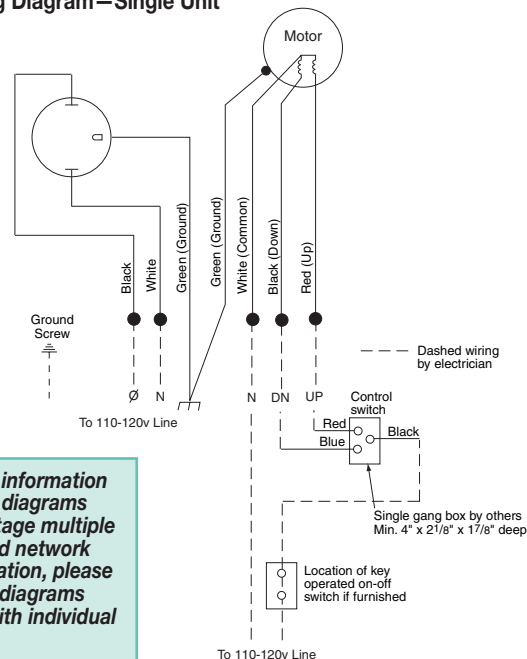
Environmental Air Space Housing Available Space



MPL Hole Spacing

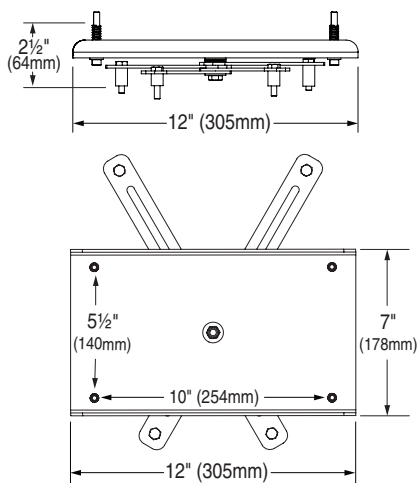
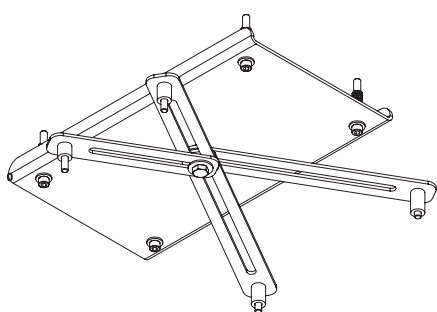


Micro Projector Lift Wiring Diagram—Single Unit*

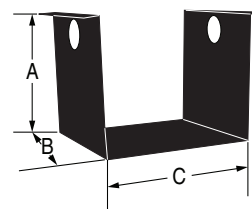


** For more information and wiring diagrams for low voltage multiple motors and network communication, please see wiring diagrams supplied with individual items.*

Optional Universal Projector Mount



Optional Video Conferencing Camera Adapter



Available Sizes:

	A	B	C
Small	7 1/2"	7 1/2"	9"
Large	9"	9"	12"