

# AeroLift 35

Ceiling-Recessed Projector Lift with a 35 lb. (16kg) Lifting Capacity

## SUBMITTAL TECHNICAL INFO

Specifications *Please check all appropriate selections and attach room schedule with verified dimensions.*

**QUANTITY:** \_\_\_\_\_ **AEROLIFT 35**  
**VIDEO PROJECTOR LIFTS.**  
 Maximum capacity 35 lbs. (including projector, projector bracket, closure and ceiling material attached to closure). Electrically operated 110-120V, 60 Hz. 3-wire motor, instantly reversible, lifetime lubricated, with internal thermal overload protector and brake. UL approved motor. Designed to be ceiling recessed or surface mounted to fit within a standard 2" x 10" beam, 16" on center, ceiling joist pocket. Lift to have scissor arm for stabilization. Factory set limit switches automatically stop travel at open and closed positions. Three-position, 110-120V switch to stop or reverse cycle at any point. Maximum vertical drop to be 24½". Net weight 20 lbs. AeroLift 35 is approved to UL 2442 and CSA C22.2 No. 60065-03.

**OPTIONS**  
**OPTIONAL ENVIRONMENTAL AIR SPACE HOUSING:** Aluminum and steel, for use in environmental air space. Choose from two sizes: [Small (149/16" x 237/8") Net weight 95½ lbs] and [Large (23½" x 23½") Net weight 139 lbs]. Includes trim ring for ceiling opening.  
**CEILING CLOSURE PANEL:** Finished in white baked textured powder coat, shall descend smoothly with projector. Choose from two sizes: Choose from two sizes (trim edge to trim edge): [SMALL (155/8" x 25"); weight 7.5 lbs;] and [LARGE (25" x 25"); closure & angle brackets weigh 10 lbs].  
**CEILING FINISH KIT:** Finished white. Trims ceiling opening when required. Choose from two sizes: [SMALL] and [LARGE]. Consists of trim ring and closure panel.

**CEILING ACCESS DOOR:** provides ceiling access when unit is installed above hard ceiling and access to projector is not convenient.  
**OPTIONAL UNIVERSAL PROJECTOR MOUNT:** Fits most projectors up to 26 lbs. Tilt, yaw and pan adjustment.  
**OPTIONAL VIDEO CONFERENCING CAMERA ADAPTER BRACKET:** Enables installation of a video conferencing camera in AeroLift 35. Available in two sizes (Dimensions Small 7½" x 9" x 7½" or Large 9" x 12" x 9"). Special brackets available for oversize or dual camera installation.

**Please Note:** The AeroLift 35 should be specified in conjunction with a Draper video format motorized screen. Specifications subject to change without notice.

AeroLift 35 is approved to UL 2442 and CSA C22.2 No. 60065-03. Downloadable 3-part specifications: available at [www.draperinc.com](http://www.draperinc.com)

**Please note:** Dimensions of rollers, operators, and hardware at manufacturer's discretion.

### Select Control Options:

**Please Note:** This Draper motorized lift comes with one 110V-120V AC 3-position wall switch (silver wall plate with black rocker).

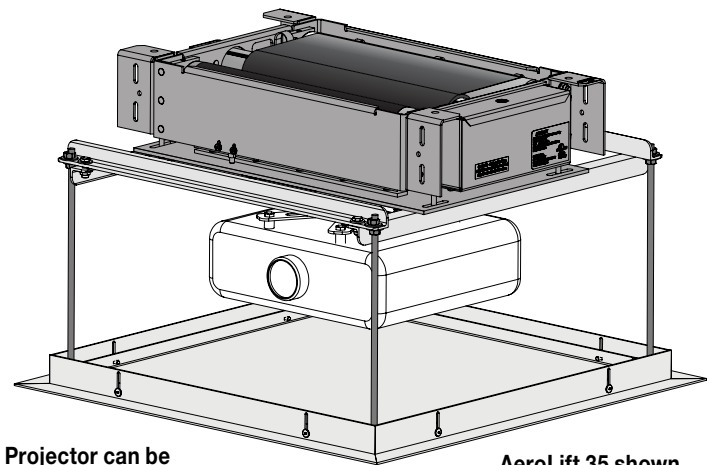
- \_\_\_\_\_ Total number of 110-120V AC switches (switches operate independently)
- Substitute white switch(es) for silver wall plate with black rocker
- Optional Lift Low Voltage Control Module
  - 24 Volt 3-Button Switch How many switches? \_\_\_\_\_
  - Radio Frequency Remote Control (only with 24V)
  - Infrared Remote Control (only with 24V)
- Optional Key Operated Switch
  - Power Supply Key Switch (On-off)
  - 3-Position Key Control
  - 3-Position Switch with Hinged Key-Locking Coverplate



### Select Optional Accessories (drawings on pages 2 & 3)

**Please Note:** Available colors listed where applicable. AeroLift is always black.

- Optional Ceiling Access Door:
  - Access above finished ceiling (recommended)
  - Accepts Ceiling Tile
- Optional Environmental Air Space Housing:  Small  Large (Optional Ceiling Closure Panel not included.)
  - Powder Coat Finish of Visible Trim:
    - White (Standard)
    - Black (Optional)
- Optional Ceiling Closure Panel:  Small  Large (Pairs with Environmental Air Space Housing.)
  - Powder Coat Finish:
    - White (Standard)
    - Black (Optional)
- Optional Ceiling Finish Kit:  Small  Large (Ceiling Closure Panel and Trim Kit used to finish ceiling opening when no Environmental Air Space Housing is needed.)
  - Powder Coat Finish:
    - White (Standard)
    - Black (Optional)
- Optional Universal Projector Mount (max. load 26 lbs).
- Optional Video Conferencing Camera Adapter Bracket
  - Small (9" w. x 7½" h. x 7½" d.)  Large (12" w. x 9" h. x 9" d.)
  - Custom for oversize or dual cameras



Projector can be installed as shown or turned 90° depending on projector size.

AeroLift 35 shown with optional closure.

Dimensions & Data	Small Closure	Large Closure
Height of lift in closed position <sup>1</sup>	4 <sup>13</sup> / <sub>16</sub> "	4 <sup>13</sup> / <sub>16</sub> "
Maximum Overall lift dimensions (WxL)	12½" x 22¼"	12½" x 22¼"
Ceiling opening (with closure)	23½" x 14 <sup>3</sup> / <sub>8</sub> "	23½" x 23½"
Optional Env. Air Space Housing (WxL) <sup>2</sup>	23 <sup>7</sup> / <sub>8</sub> " x 14 <sup>9</sup> / <sub>16</sub> "	23 <sup>7</sup> / <sub>8</sub> " x 23 <sup>7</sup> / <sub>8</sub> "
Max. projector size (with closure) (WxL) <sup>3</sup>	8¾" x 18"	20" x 20"
Max. down travel	24½"	24½"
Approx. travel time to lowest position	14 sec.	14 sec.
Total Capacity (lbs.) <sup>4</sup>	35	35
Net weight of lift (lbs.) <sup>5</sup>	20	20
Amperes	1.2	1.2

<sup>1</sup>Not including projector, mount or closure.  
<sup>2</sup>Maximum Env. Air Space Housing Height: 20<sup>5</sup>/<sub>8</sub>". Min. Env. Air Space Housing Height: 12<sup>5</sup>/<sub>8</sub>".  
<sup>3</sup>Maximum Available Projector/Bracket Height (with Env. Air Space Housing): 15¾" Minimum Available Projector/Bracket Height (with Env. Air Space Housing): 7¾"  
<sup>4</sup>Small Closure weighs 7.5 lbs. Large Closure & Angle Brackets weigh 10 lbs.  
<sup>5</sup>Unit Only: Does not include projector, mount, Env. Air Space Housing or closure.



PROJECT: \_\_\_\_\_

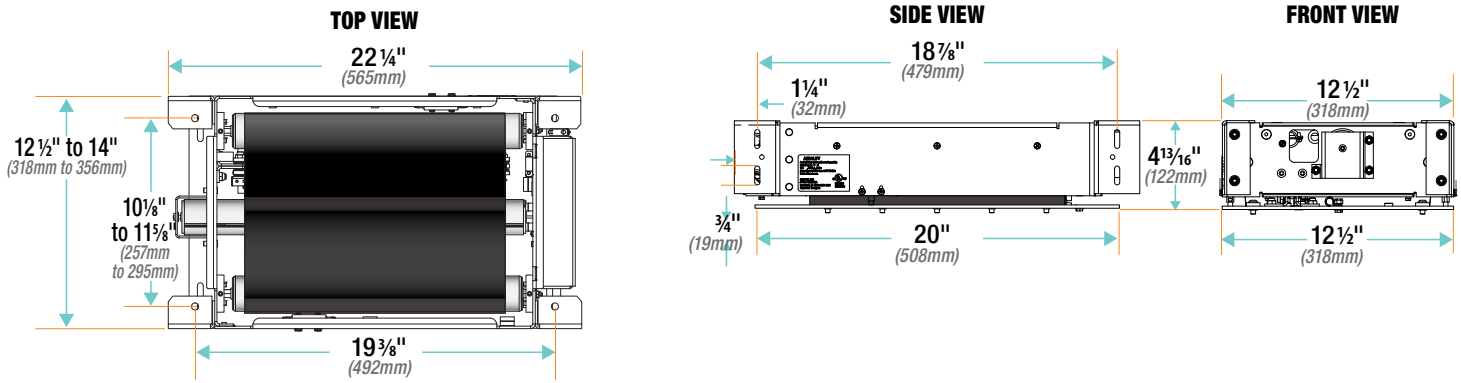
ARCHITECT: \_\_\_\_\_

CONTRACTOR: \_\_\_\_\_

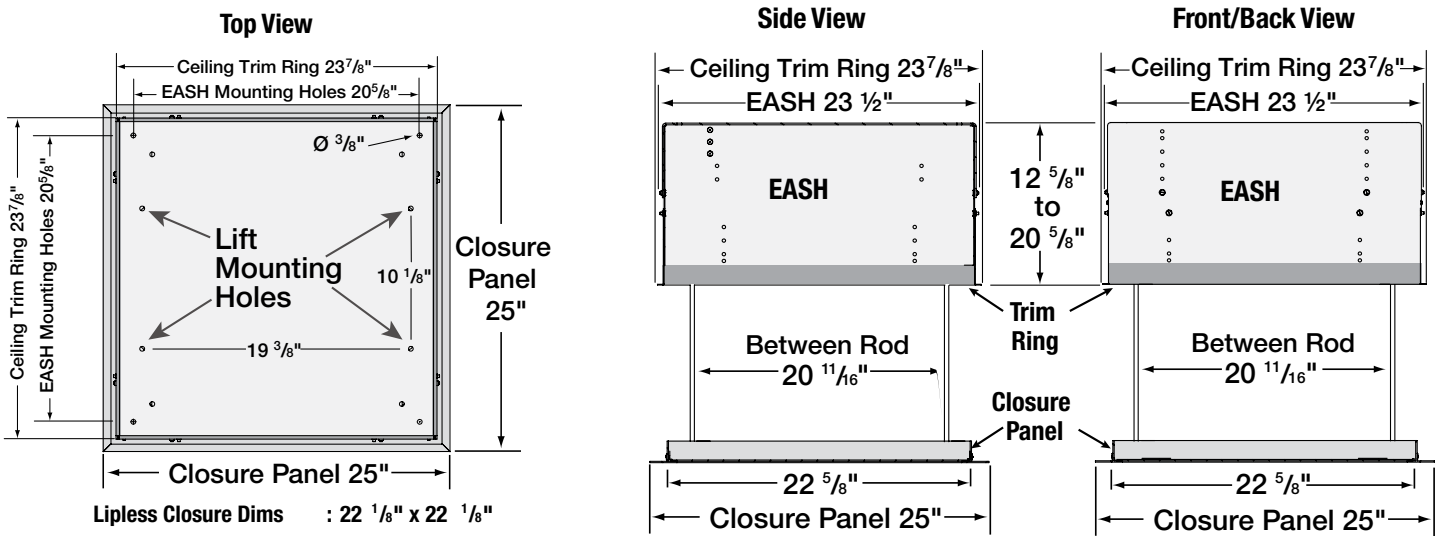
SUPPLIER: \_\_\_\_\_

DATE: \_\_\_\_\_ REVISED: \_\_\_\_\_

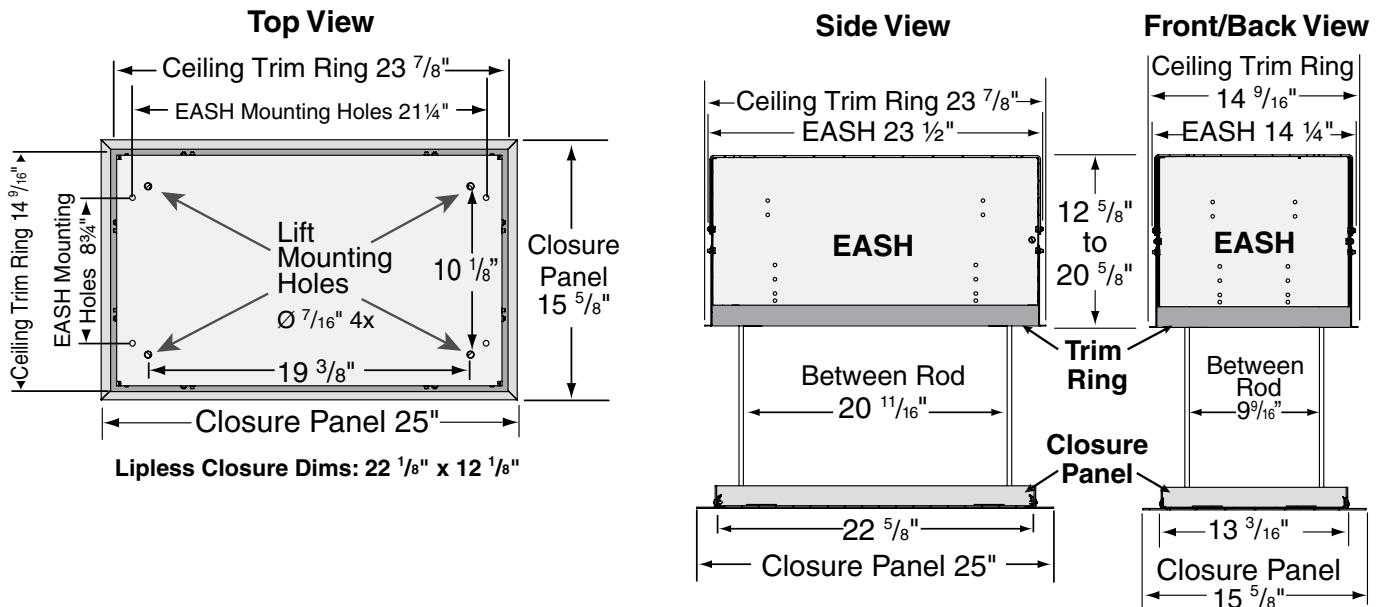
## Dimensions



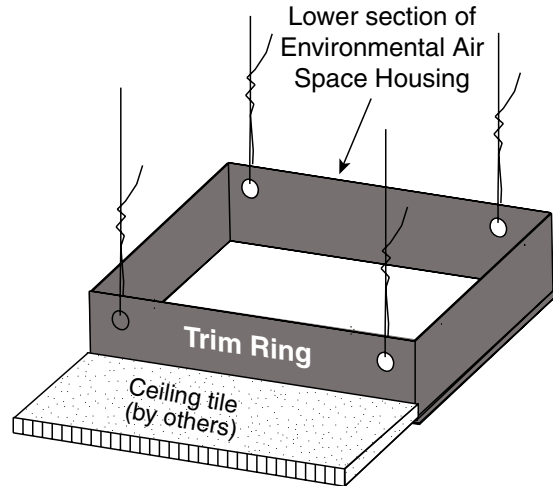
Dimensions: AeroLift 35 with MPL Environmental Air Space and Closure



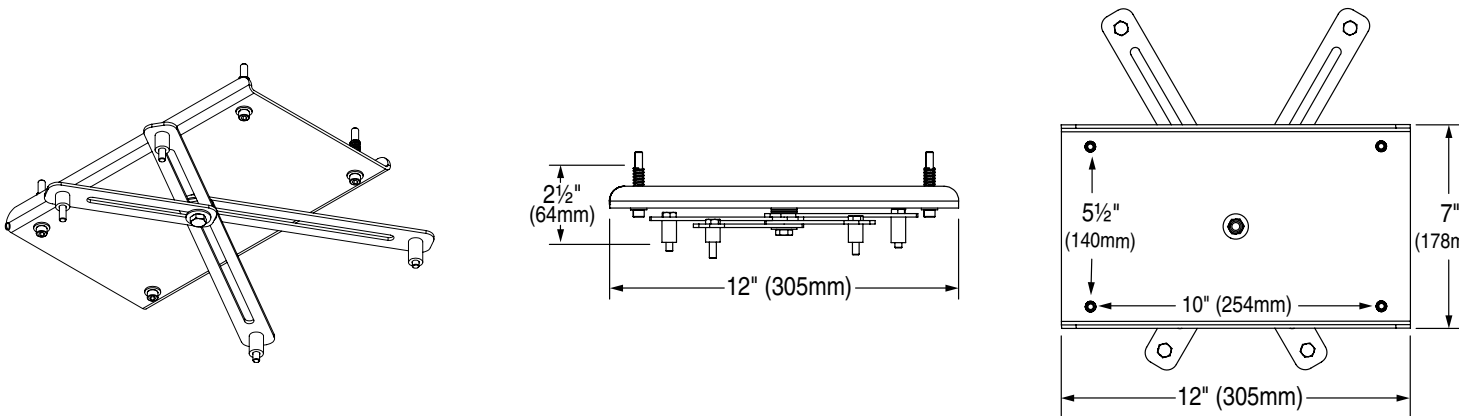
Dimensions - AeroLift 35 with Small Environmental Air Space and Closure



Ceiling Finish Trim Kit (includes Closure Panel - for use WITHOUT Environmental Air Space Housing)



Optional Universal Projector Mount



Optional Video Conferencing Camera Adapter

**Available Sizes:**

	A	B	C
Small	7 1/2"	7 1/2"	9"
Large	9"	9"	12"

