

AeroLift 100

Ceiling-Recessed Projector Lift with a 100 lb. (45kg) Lifting Capacity



SUBMITTAL TECHNICAL INFO

Please check all appropriate selections and attach room schedule with verified dimensions.

AeroLift 100 is approved to **UL 2442** and **CSA C22.2 No. 60065-03**.

Specifications

AEROLIFT 100

AEROLIFT 100 VIDEO PROJECTOR LIFTS. Maximum capacity 100 lbs. (including projector, bracket, closure and ceiling material attached to closure). Electrically operated 110-120V, 60 Hz. 3-wire motor, instantly reversible, lifetime lubricated, with internal thermal overload protector and brake. UL approved motor. Designed to be ceiling recessed or surface mounted. Lift to have scissor arm for stabilization. Factory set limit switches automatically stop travel at open and closed positions. Three-position, 110-120V switch to stop or reverse cycle at any point. Maximum vertical drop to be 38 1/2". **NET WEIGHT:** AeroLift 100, 28 lbs. AeroLift 100 is approved to **UL 2442** and **CSA C22.2 No. 60065-03**.

Select Powder Coat Finish

- White** (Standard) **Black** (Optional)
- Trim Ring Only (Standard)
- Entire Environmental Air Space Housing (Optional)

Select Optional Accessories (drawings on pages 2 & 3)

- Optional Ceiling Access Door:**
Allows access above finished ceiling (highly recommended).
 White Painted Finish Accepts Ceiling Tile
- Optional Environmental Air Space Housing:**
Optional Ceiling Closure Panel not included
- Optional Ceiling Closure Panel:**
Pairs with Environmental Air Space Housing.
- Optional Ceiling Finish Kit:**
Ceiling Closure Panel and Trim Kit used to finish ceiling opening when no Environmental Air Space Housing is needed.
- Optional Universal Projector Mount** (max. load 26 lbs).
- Optional Video Conferencing Camera Adapter Bracket**
 Small (9" w. x 7 1/2" h. x 7 1/2" d.) Large (12" w. x 9" h. x 9" d.)
- Custom for oversize or dual cameras

Select Control Options:

Please Note: This Draper motorized lift comes with one 110V-120V AC 3-position wall switch (silver wall plate with black rocker).

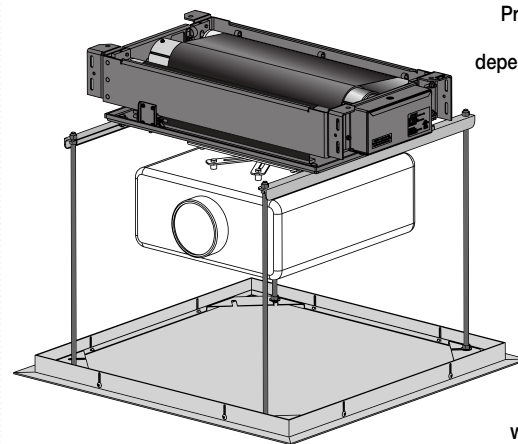
_____ **Total number of 110-120V AC switches** (switches operate independently)

- Substitute white switch(es) for silver wall plate with black rocker
- Optional Lift Low Voltage Control Module**
 24 Volt 3-Button Switch How many switches? _____
 Radio Frequency Remote Control (only with 24V)
 Infrared Remote Control (only with 24V)
- Optional Key Operated Switch**
 Power Supply Key Switch (On-off)
 3-Position Key Control
 3-Position Switch with Hinged Key-Locking Coverplate
- Optional Video Interface Control**
 VIC-115 Override Switch
 VIC-12 Override Switch
 VIC-6 Override Switch

OPTIONS

- OPTIONAL ENVIRONMENTAL AIR SPACE HOUSING:** Aluminum and steel, for use in return Environmental Air Space situations. Net wt: AeroLift 95 1/2 lbs. Includes trim ring for ceiling opening.
 - CEILING CLOSURE PANEL:** Finished in white baked textured powder coat, shall descend smoothly with projector.
 - CEILING FINISH KIT:** Finished white. Trims ceiling opening when required. Consists of trim ring and closure panel.
 - OPTIONAL CEILING ACCESS DOOR:** Provides ceiling access when unit is installed above hard ceiling and access to projector is not convenient. White painted finish.
 - OPTIONAL UNIVERSAL PROJECTOR MOUNT:** Fits most projectors up to 26 lbs. Tilt, yaw and pan adjustment.
 - OPTIONAL VIDEO CONFERENCING CAMERA ADAPTER BRACKET:** Enables installation of a video conferencing camera in AeroLift 100. Available in two sizes (Dimensions **SMALL** 7 1/2" x 9" x 7 1/2" or **LARGE** 9" x 12" x 9"). Special brackets available for oversize or dual camera installation.
- PLEASE NOTE:** The AeroLift 100 should be specified in conjunction with a Draper video format motorized screen. Specifications subject to change without notice.

Patent information available at <http://www.draperinc.com/legal/patents/>
Downloadable 3-part specifications are available at www.draperinc.com.
Please note: Dimensions of rollers, operators and hardware at manufacturer's discretion.



Projector can be installed as shown or turned 90° depending on projector size.

AeroLift 100 shown with optional closure.

Dimensions & Data

	AeroLift 100
Height of lift in closed position ¹	6"
Maximum Overall lift dimensions (WxL)	28 1/4" x 15"
Ceiling opening (with closure)	29 1/2" x 29 1/2"
Optional Env. Air Space Housing (WxL) ²	30 1/4" x 29 7/16"
Max. projector size (with closure) (WxL) ³	20" x 25" x h.
Max. down travel	38 1/2"
Approx. travel time to lowest position	23 sec.
Total Capacity (lbs.) ⁴	100
Net weight of lift (lbs.) ⁵	28
Amperes	1.2

¹ Not including projector, bracket, plenum or closure.

² Max. available projector/mount height (with EAS Housing): 18 1/2".

Min. available projector/mount height (with EAS Housing): 16 1/2".

³ AeroLift 100 closure & angle brackets weigh 7.5 lbs.

⁴ Unit Only: Does Not include projector, bracket, EAS Housing or closure.



Draper, Inc. | 411 S. Pearl St. Spiceland, IN 47385
draperinc.com | 765.987.7999 | 800.238.7999

© 2017 All Rights Reserved | FORM: AeroLift100_Sub17

PROJECT: _____

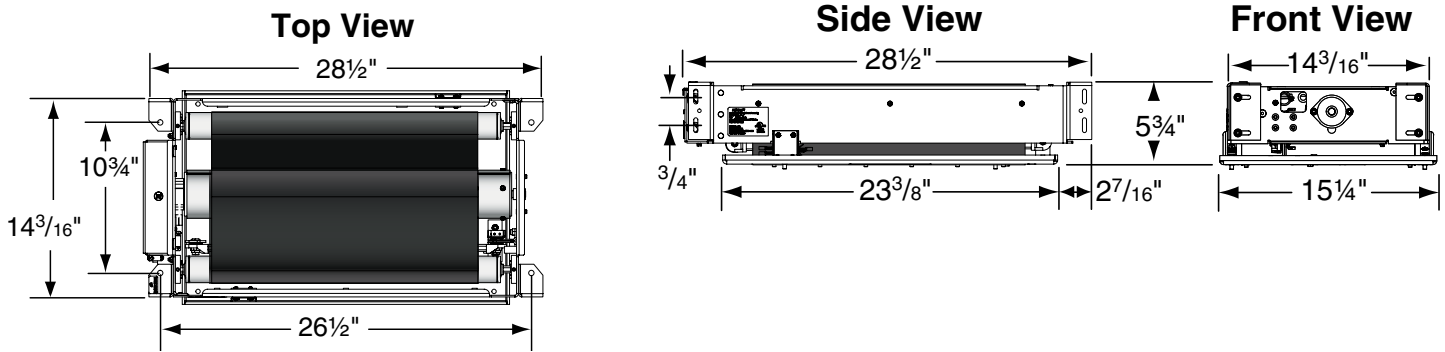
ARCHITECT: _____

CONTRACTOR: _____

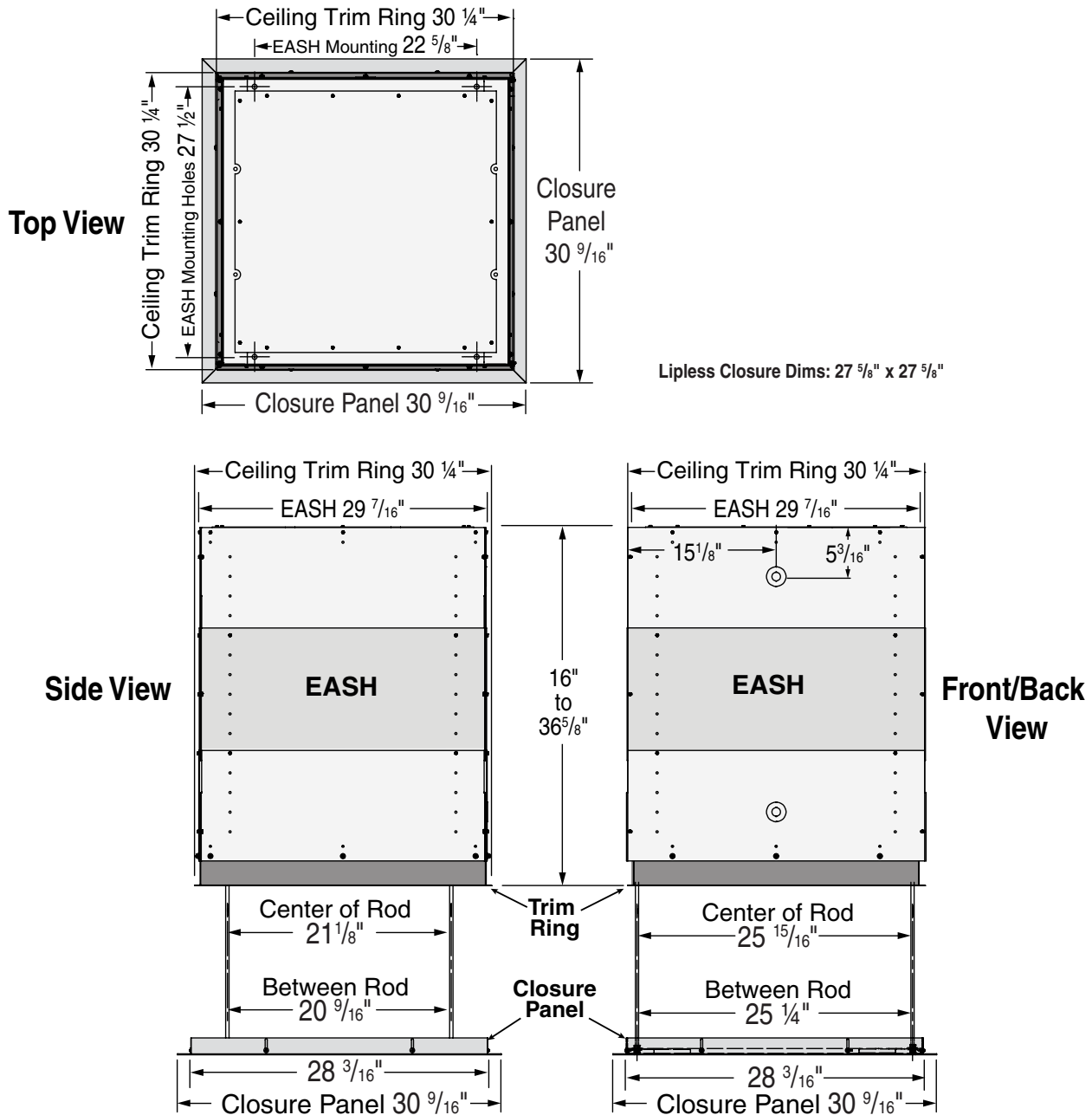
SUPPLIER: _____

DATE: _____ REVISED: _____

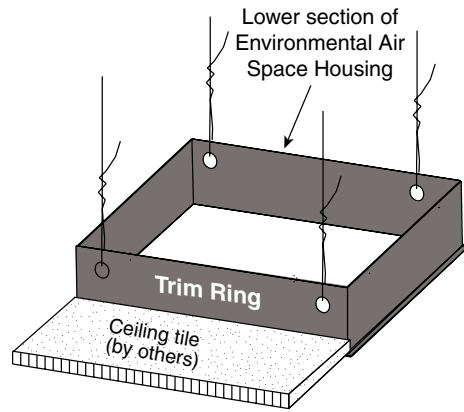
AeroLift 100 Dimensions



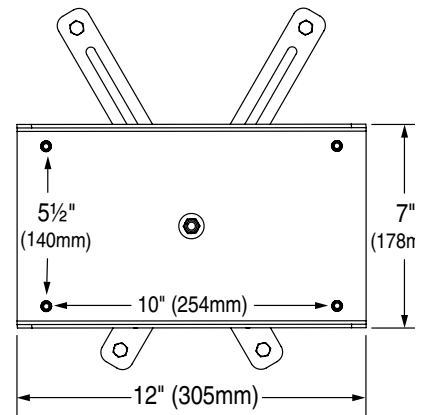
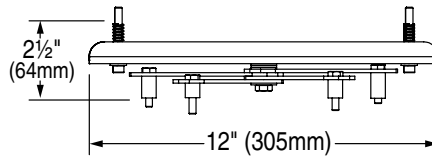
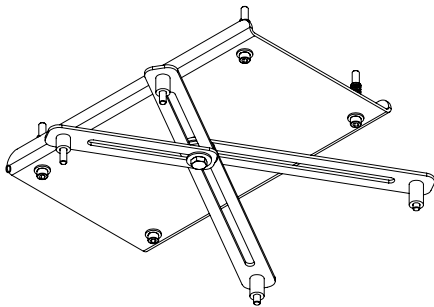
Dimensions - AeroLift 100 with Environmental Air Space Housing & Closure Panel



Ceiling Finish Trim Kit
(includes Closure Panel - for use WITHOUT Environmental Air Space Housing)



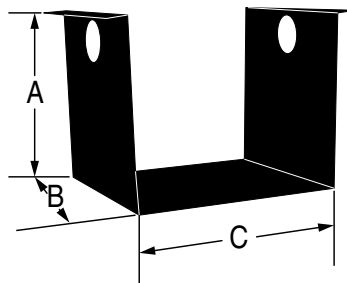
Optional Universal Projector Mount



Optional Video Conferencing Camera Adapter

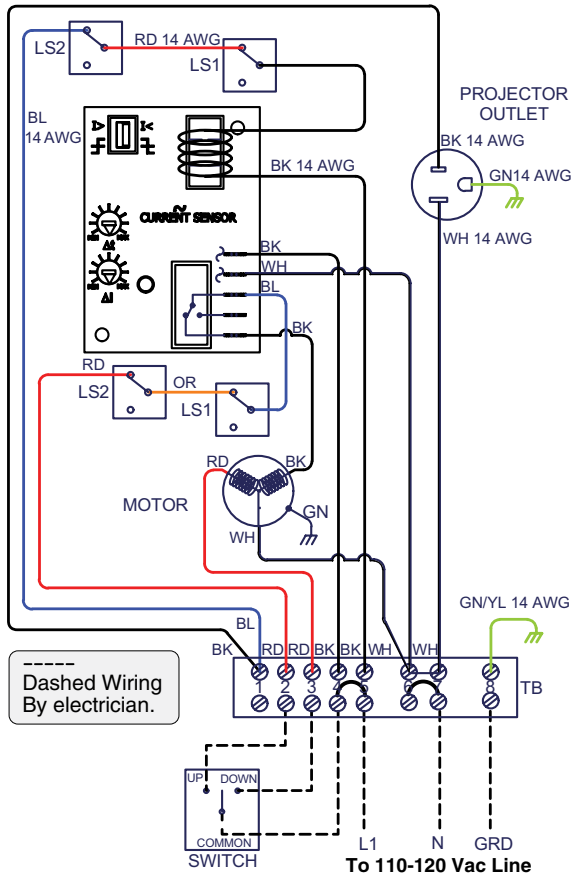
Available Sizes:

	A	B	C
Small	7 1/2"	7 1/2"	9"
Large	9"	9"	12"

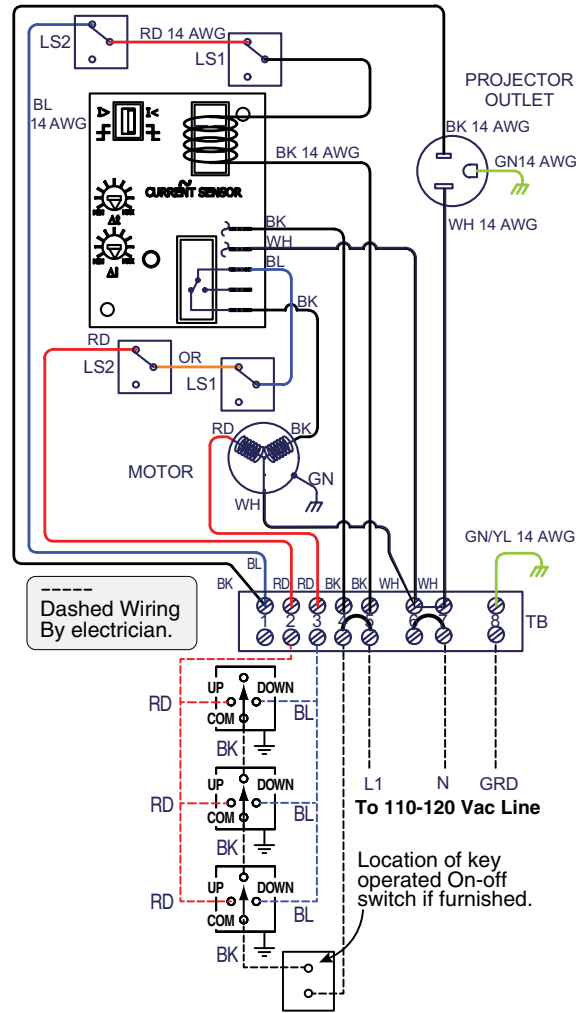


Wiring Diagrams

Single Station Control



Optional Multiple Station Control



LVC-IV - Low Voltage Controller

