

LCD Lift

Motorized Ceiling-Recessed
LCD Projector Lift

by **DRAPER**

Planning Sheet

Please provide information for each numbered item:

① **Select Model (see Fig. 2, page 2, for dimensions):**

- LCD Lift A
- LCD Lift B

② **Select Voltage:**

- 110-120v
- 220-230v

③ **Select Closure (see drawings at right):**

- "Bomb Bay" Doors
- Ceiling Closure Panel

④ **Select Controls:**

Please Note: This Draper motorized screen comes with one 110V-120V AC 3-position wall switch (silver wall plate with black rocker).

___ Total number of 110-120V AC switches (switches operate independently)

- Optional Low Voltage Control Module (Lift LVC)
 - 24 Volt 3-Button Switch How many switches? _____
 - Radio Frequency Remote Control (only with 24v)
 - Infrared Remote Control (only with 24v)
- Optional Key Operated Switch
 - Power Supply Key Switch (On-off)
 - 3-Position Key Control
 - 3-Position Switch with Hinged Key-Locking Coverplate
- Optional Video Interface Control
 - VIC-115 (not compatible with Lift LVC) Override Switch

⑥ **Select Optional Equipment:**

- Optional ceiling access door to allow access above finished ceilings.
 - Ceiling access door, white painted finish
 - Ceiling access door, accepts ceiling tile
- Optional Universal Projector Mount.

Ⓐ **Projector (supplied by others)**

Manufacturer _____ Make/Model _____

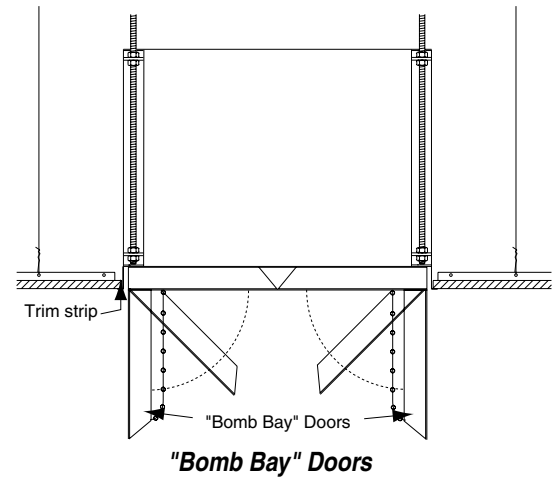
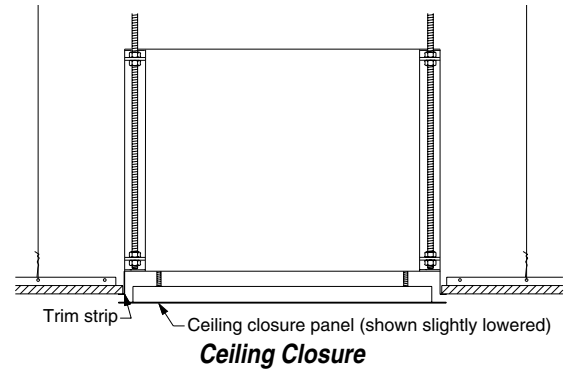
Factory Installed Cable

Ⓑ **What type of connectors do you need on Inputs (to Projector)?**

- BNC How Many? _____
- 15 Pin HD How Many? _____
- RCA How Many? _____
- S-Video How Many? _____
- RS232 (DB9) How Many? _____

Ⓒ **What type of connectors do you need on Outputs (to Lift)?**

- BNC How Many? _____
- 15 Pin HD How Many? _____
- RCA How Many? _____
- S-Video How Many? _____
- RS232 (DB9) How Many? _____



Please Note:

For Dimensions and Details, see Back Page

DRAPER

411 S. Pearl St., Spiceland, IN 47385 USA ■ 765-987-7999
www.draperinc.com ■ fax 765-987-7142

Copyright © 2015 Draper Inc. Form LCDLift_PlanSheet15 Printed in U.S.A.

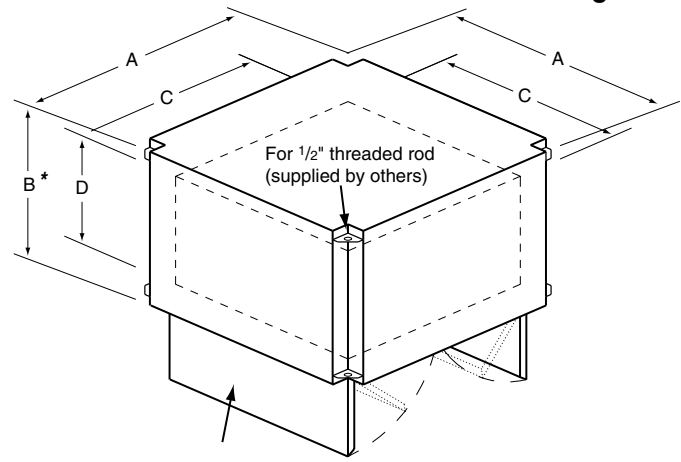
PROJECT: _____
ARCHITECT: _____
CONTRACTOR: _____
SUPPLIER: _____
DATE: _____ REVISED: _____

Dimensions & Data

	LCD Lift A	LCD Lift B
Overall Unit Size (HWL) ² :	17¾" x 24" x 24"	22¾" x 29" x 29"
Projector Space (HWL) :	11" x 18" x 18"	16" x 23" x 23"
Required Space Above Ceiling ² :	17¾"	22¾"
Clearance Below Ceiling:	12"	14½"
Ceiling Opening:	24½" x 24½"	29½" x 29½"
Capacity:	65 lbs.	65 lbs.
Shipping Weight:	95 lbs.	130 lbs.
Amperes ³ :	1	1
Downward Travel Distance:	11½"	16½"
Travel Time:	16 sec.	21 sec.

¹ Add ¾" to height dimension if Ceiling Closure Panel is specified.

² Does not include any load placed on LCD Lift's internal switched outlets.

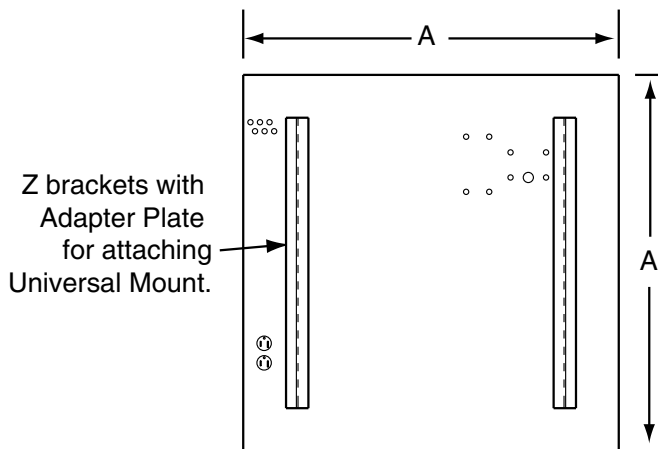


Bomb bay door assembly standard.
Flat ceiling closure panel available.

	A	B*	C	D	Travel	Lift Capacity
LCD Lift A	24"	17¾"	18"	11"	11½"	65 lbs.
LCD Lift B	29"	22¾"	23"	16"	16½"	65 lbs.

* Ceiling Closure Panel adds ¾" to this dimension

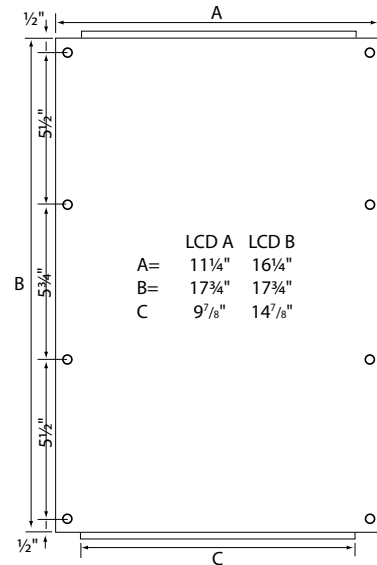
LCD Lift Pan Dimensions



	A
LCD Lift A	18"
LCD Lift B	23"

Figure 2

LCD Lift Aluminum Adapter Plate Dims



Optional Universal Mounting Bracket

