

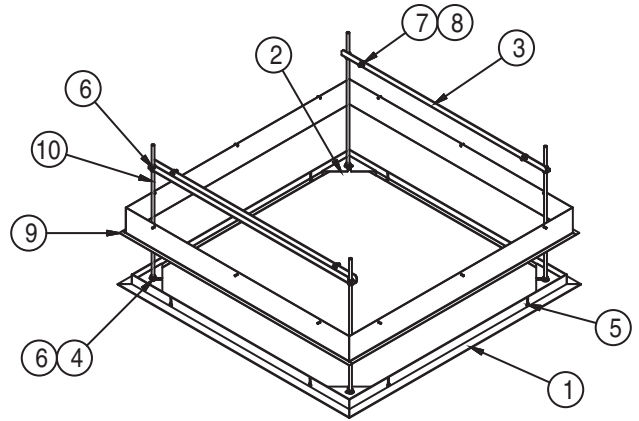
Installation/Operating Instructions

Ceiling Trim Kit for Scissor Lift SLX by Draper

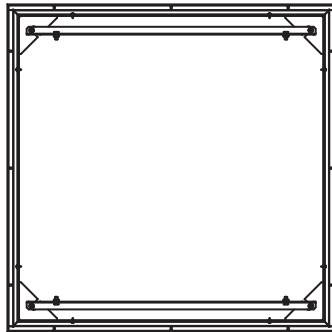
Installing Optional Ceiling Trim Kit "SLX"

The lower section of the Environmental Air Space Housing is available as part of a ceiling trim kit, to finish out the ceiling opening even if a housing is not necessary. This kit consists of the lower section of the housing and the ceiling closure panel. Please refer to drawing below for these instructions.

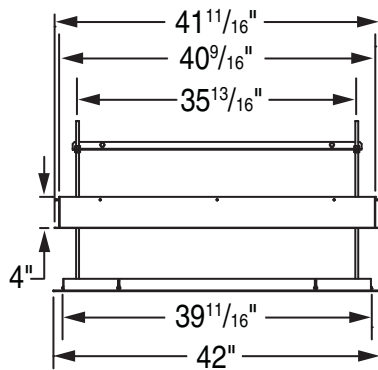
- ① Install Scissor Lift SLX (as described in Scissor Lift SLX instructions).
- ② Install bottom section of Environmental Air Space Housing in opening. This can be accomplished by suspending with wire, or by mounting directly to the ceiling joists (if space permits).
- ③ Install ceiling closure panel (see separate instructions).



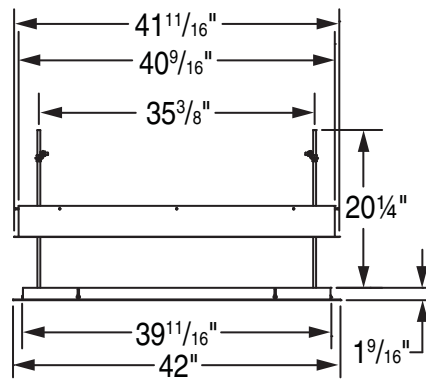
Item	Qty	Part Number	Description
①	1	C028.546.07SA	Frame, SLX Closure Trim
②	1	C044.181.07SA	Panel, Assembled SLX Closure
③	2	C002.845.07SA	Bracket, SLX Closure
④	8	C013.050	Washer .375" I.D. x .875" O.D. x .064" TK GRD 2 Zinc Flat
⑤	8	C020.082	Screw, 10-16 X 1/2" 6 Lobe Truss Head AB E-White
⑥	16	C018.027	Nut 3/8"-16 Hex Grd 2 NSF
⑦	4	C020.322	Screw, 5/16" - 18 x 3/4" Long Grade 5 HH Zinc
⑧	4	C018.045	Nut 5/16"-18 Zinc Hex Keys
⑨	1	C028.545.07SA	Frame, SLX Trim Ring
⑩	4	C077.037.49	Rod, Threaded 3/8"-16 x 21 3/8" L Zinc



Top View



Front/Back View



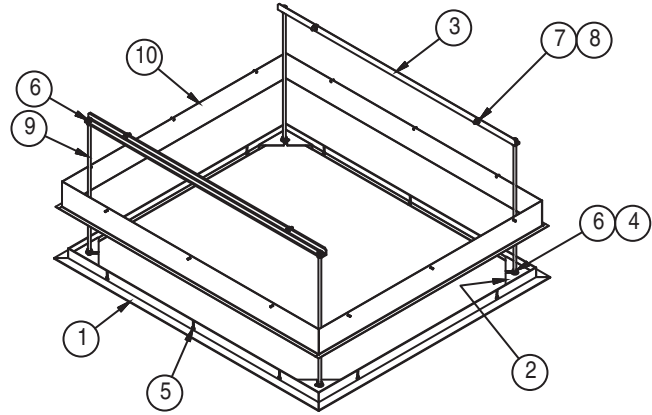
Side View

DRAPER[®]

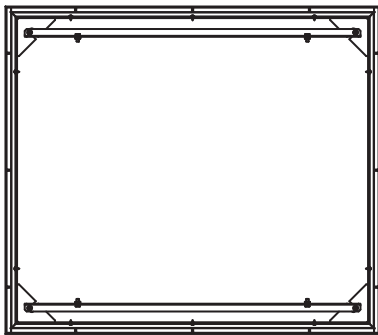
Installing Optional Ceiling Trim Kit "SLXR"

The lower section of the Environmental Air Space Housing is available as part of a ceiling trim kit, to finish out the ceiling opening even if a housing is not necessary. This kit consists of the lower section of the housing and the ceiling closure panel. Please refer to drawing below for these instructions.

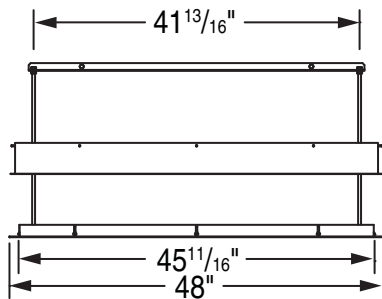
- ① Install Scissor Lift SLX (as described in Scissor Lift SLX instructions).
- ② Install bottom section of Environmental Air Space Housing in opening. This can be accomplished by suspending with wire, or by mounting directly to the ceiling joists (if space permits).
- ③ Install ceiling closure panel (see separate instructions).



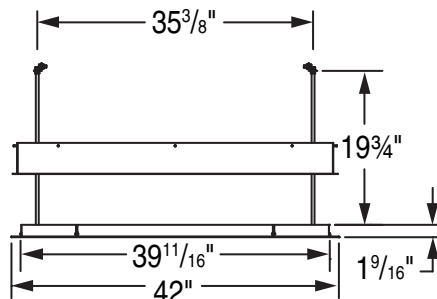
Item	Qty	Part Number	Description
①	1	C028.624.07SA	Frame, SLXR Closure Trim
②	1	C044.205.07SA	Panel, Assembled SLXR Closure
③	2	C002.932.07SA	Bracket, SLXR Closure
④	8	C013.050	Washer .375" I.D. x .875" O.D. x .064" TK GRD 2 Zinc Flat
⑤	10	C020.082	Screw, 10-16 X 1/2" 6 Lobe Truss Head AB E-White
⑥	16	C018.027	Nut 3/8"-16 Hex Grd 2 NSF
⑦	4	C020.322	Screw, 5/16" - 18 x 3/4" Long Grade 5 HH Zinc
⑧	4	C018.045	Nut 5/16"-18 Zinc Hex Keps
⑨	4	C077.037.49	Rod, Threaded 3/8"-16 x 2 1/8" L Zinc
⑩	1	C028.626.07SA	Frame, SLXR Trim Ring



Top View



Front/Back View



Side View