

Installation/Operating Instructions

Field Installation of Revelation Plenum Kit

CAUTION! DISCONNECT POWER FROM THE REVELATION BEFORE INSTALLING PLENUM.

- ① Remove the covers from the electrical chassis in the Revelation.
- ② Disconnect the black 14 awg. wire that runs from the connector CB1B-10 (of circuit board PCB1) to the receptacle in the electrical chassis.
- ③ Install the pre-wired current sensor using two #6-32 x 1" [10] long screws provided (see Fig. 1).
- ④ Connect each wire of the pre-wired current sensor as shown in Diagram 1.
- ⑤ Install the two fan mount assemblies [5,6] to the main pan of the Revelation using the eight #10-32 x 3/8" [7,8] long screws provided (see Fig. 1). Attach the long leads of the Exhaust Fan Assembly [6] to the end with the motor and lifting mechanism.
- ⑥ Using the wire clips [11] provided, lay in the wires from the fans as shown in Fig. 1 and connect the fans to TB1-8 & TB1-9 as shown in Diagram 1.
- ⑦ Replace the covers to the electrical chassis.
- ⑧ Apply the 1" wide Nylon [12,13] tape as shown in Fig. 1.
- ⑨ Install the inner and outer plenum covers [1,2], and attach the mating end panel [3,4] as shown in Fig. 2.
- ⑩ Fan mounting panels are designed to accept a standard 4" round duct. The exhaust flange is located on the motor/drive end of the Revelation and the input is located at projector end of the Revelation.

Please Note: If duct work is connected to this unit, here are a few recommended guidelines you should keep in mind when installing the duct work:

- Air supply to the plenum should be cool enough to provide adequate cooling for your projector.
- Do not obstruct airflow through duct work. Inadequate airflow may result in excessive heat buildup inside the unit.
- Keep duct work length as short as possible. Recommended maximum total duct length is 30' (input plus exhaust).
- Keep the input-to-exhaust length ratio balanced and as small as possible to prevent air from being pushed into or drawn out of the room.

Figure #1

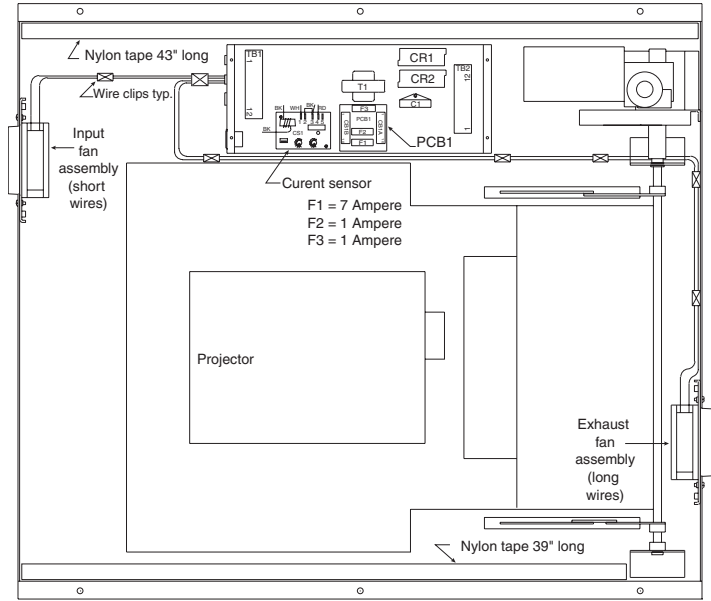


Figure #2

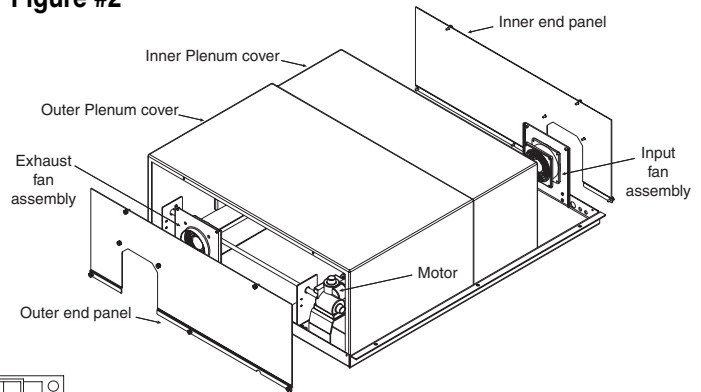
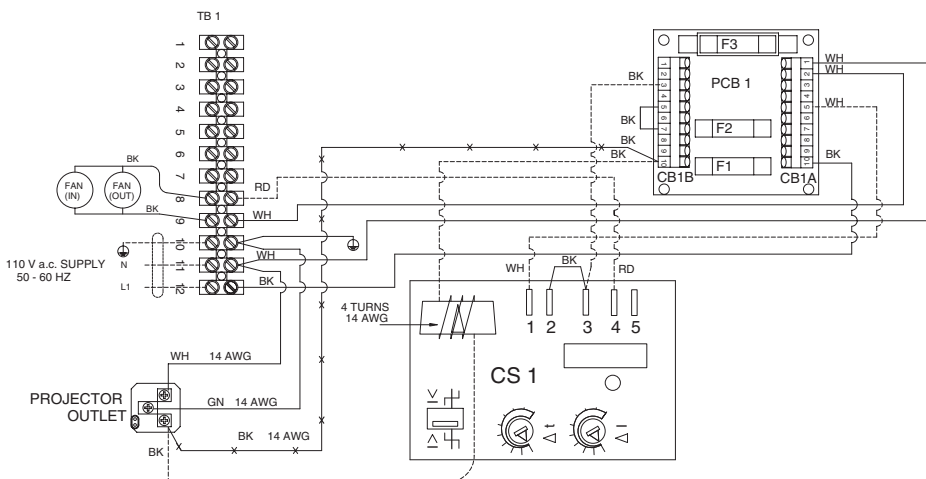


Diagram #1



- NOTES:
1. WIRE TO BE REMOVED BEFORE INSTALLING PLENUM WIRING
 2. WIRES CONNECTED BY INSTALLER
 3. ALL WIRES 18 AWG. UNLESS OTHERWISE SPECIFIED.

PLENUM INSTALLATION PART LIST

ITEM#	DESCRIPTION	QTY
1	INNER PLENUM COVER	1
2	OUTER PLENUM COVER	1
3	INNER END PANEL	1
4	OUTER END PANEL	1
5	INPUT FAN MOUNT ASSEMBLY	1
6	EXHAUST FAN MOUNT ASSEMBLY	1
7	SCREW #10-32 X .375" HEX HD TYPE "F" ZINC	8
8	WASHER, #10 ZINC INTERNAL LOCK	8
9	PRE-WIRED CURRENT SENSOR	1
10	SCREW #6-32 X 1" LONG PHIL PAN HD ZINC	2
11	CLIP ADHESIVE BACKED CORD 1/4" HOLDING DIA.	7
12	39" LONG 1" WIDE X 0.03" THICK NYLON TAPE	1
13	43" LONG 1" WIDE X 0.03" THICK NYLON TAPE	1

TOOLS NEEDED

- MED POINT PHILLIP SCREWDRIVER
- 1/8" FLAT BLADE SCREW DRIVER
- 3/8" WRENCH

