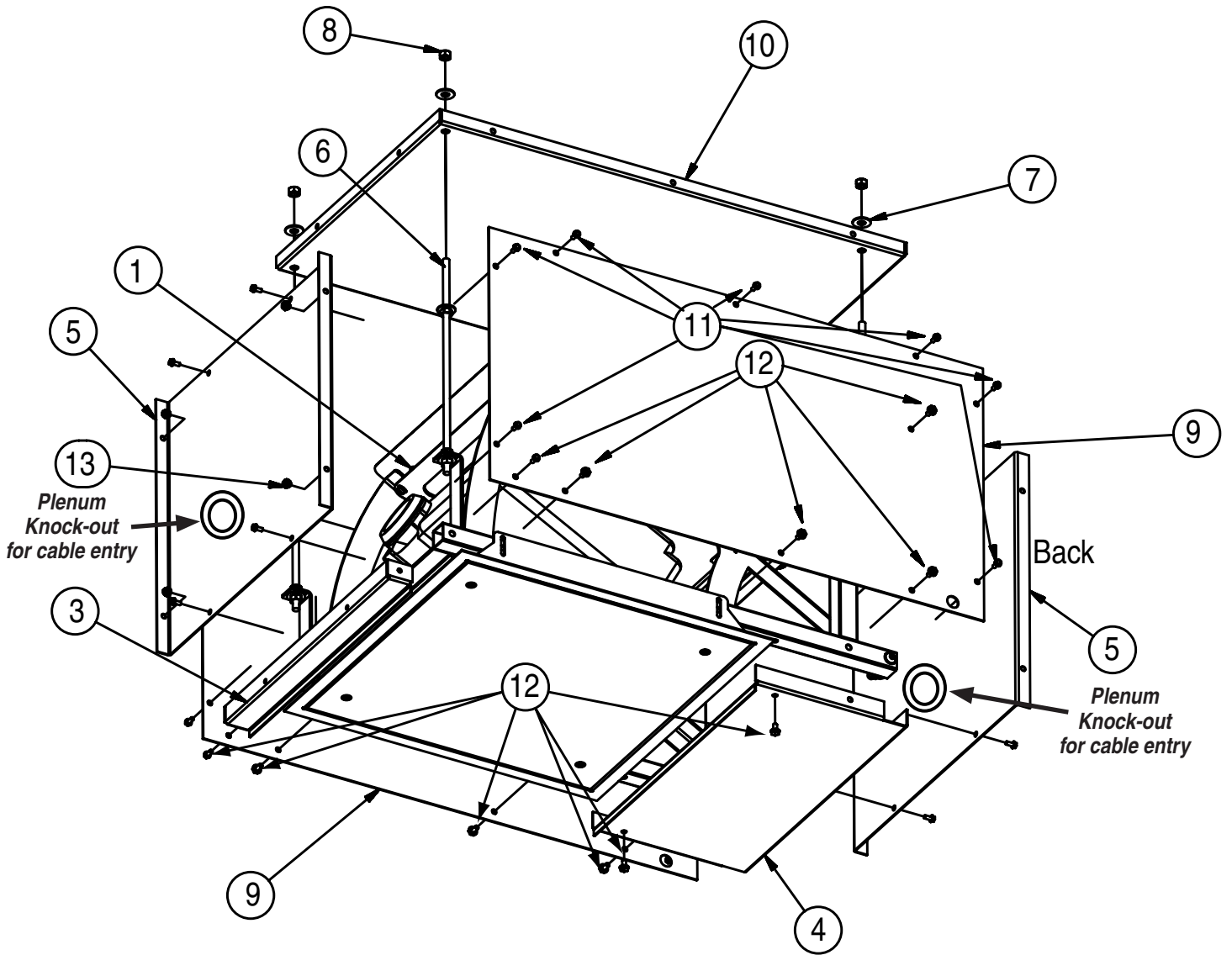


Assembly/Installation Instructions

Phantom Projector Lift Plenum Housing by Draper



Installing Optional Plenum Housing

The Plenum Housing is shipped in pieces, and must be assembled by the installer. It is recommended that an access panel be installed in the ceiling to allow future access.

- ① Attach Plenum panels to projector lift (see above drawing).
- ② Attach assembly to overhead structure. Allow clearance between plenum top and structure for ease of future access.
- ③ Knock-outs are provided on the front and back plenum panels to allow cables in and out of plenum housing.

Item	Quantity	Description
1	1	Phantom
2	1	Phantom plenum (individual pieces below)
3	1	Lower Front Plenum Panel
4	1	Lower Rear Plenum Panel
5	2	End Plenum Panel
6	4	$\frac{5}{16}$ "-18 Zinc Threaded Rod
7	16	Zinc Flat Washer
8	16	$\frac{5}{16}$ "-18 Zinc Hex Nut
9	2	Side Plenum Panel
10	1	Top Plenum Panel
11	24	#8-32 x.375 Zinc Hex Head Screw/Washer
12	12	#10-32 x.375 Zinc Hex Head Screw/Washer
13	16	#8-32 Zinc Keps Nut



411 S. Pearl St., Spiceland, IN 47385 USA ■ 765-987-7999 ■ fax 765-987-7142
 e-mail draper@draperinc.com ■ www.draperinc.com

Copyright ©2006 Draper Inc.

Form PhantomPlenum_Inst06

Printed in U.S.A.

If you encounter any difficulties installing your Phantom Plenum Housing, call your dealer or Draper, Inc. in Spiceland, Indiana, 765-987-7999, fax 765-987-7142, or E-mail draper@draperinc.com.