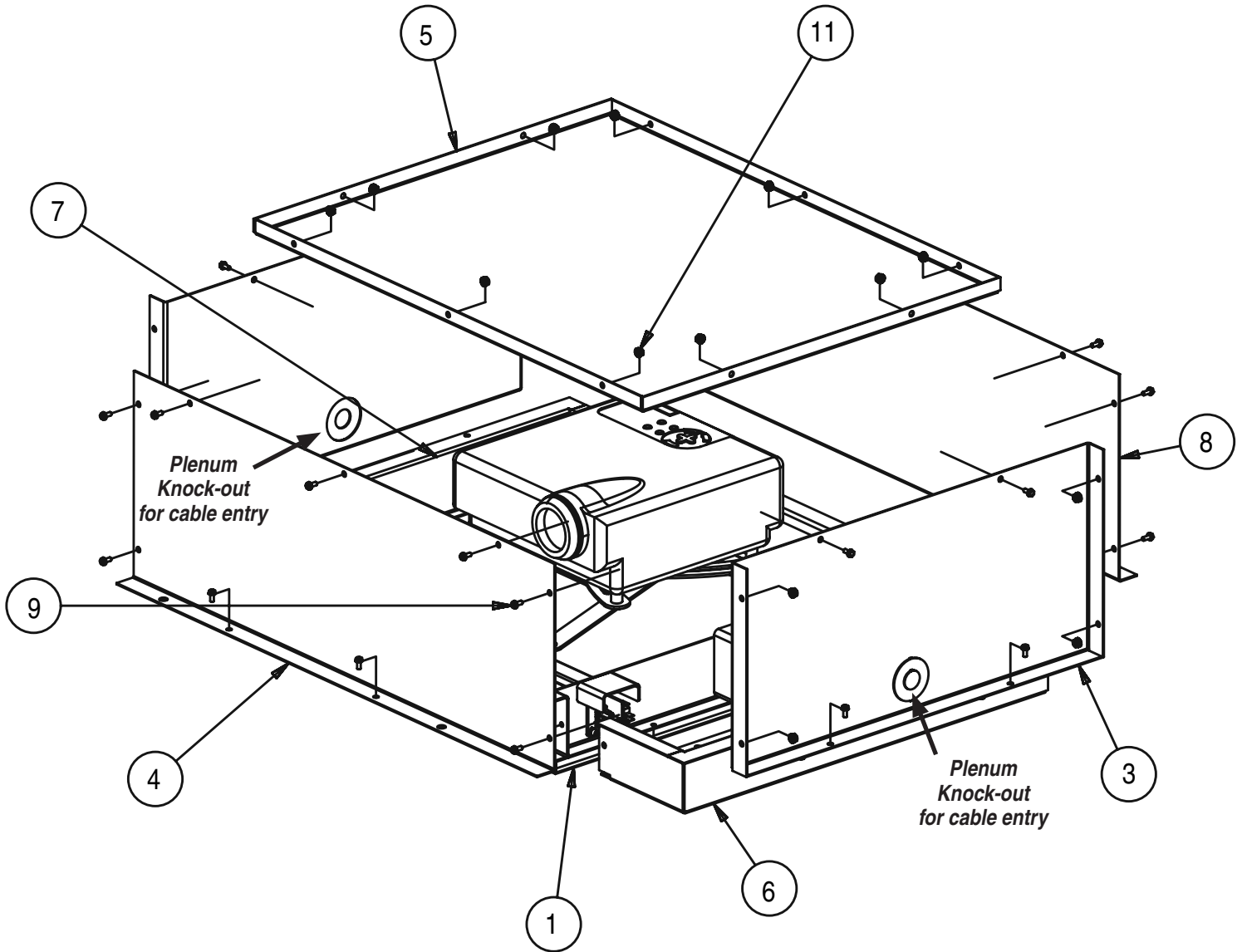


# Assembly/Installation Instructions

## Orbiter Projector Lift Plenum Housing by Draper



### **Installing Optional Plenum Housing**

The Plenum Housing is shipped in pieces, and must be assembled by the installer. It is recommended that an access panel be installed in the ceiling to allow future access.

- ① Attach Plenum panels to projector lift (see above drawing).
- ② Attach assembly to overhead structure. Allow clearance between plenum top and structure for ease of future access.
- ③ Knock-outs are provided to allow cables in and out of plenum housing.

Item	Quantity	Description
1	1	Orbiter
2	1	Orbiter plenum (individual pieces listed below)
3	2	End Plenum Panel
4	1	Front Plenum Panel
5	1	Top Plenum Panel
6	1	Lower Large Plenum Panel
7	1	Lower Small Plenum Panel
8	1	Rear Side Plenum Panel
9	26	#8-32 x.375 Zinc Hex Head Screw/Washer
10	8	#10-32 x.375 Zinc Hex Head Screw/Washer
11	26	#8-32 Zinc Keps Nut

# DRAPER

411 S. Pearl St., Spiceland, IN 47385 USA ■ 765-987-7999 ■ fax 765-987-7142  
 e-mail draper@draperinc.com ■ www.draperinc.com

Copyright ©2006 Draper Inc.

Form OrbiterPlenum\_Inst06

Printed in U.S.A.

*If you encounter any difficulties installing your Orbiter Plenum Housing, call your dealer or Draper, Inc. in Spiceland, Indiana, 765-987-7999, fax 765-987-7142, or E-mail draper@draperinc.com.*